

# PQFP Handling Instructions

## Humidity Control

Follow the instructions on the packaging bag to keep devices dry prior to board assembly.

## Handling Trays

The tray stack should be kept fastened with straps during transportation to prevent devices from coming out of their sockets and bending their leads. If a single loaded tray is to be moved, an empty tray should be placed over it as a cover and both trays should be taped to secure the devices in position (see Figure 1).

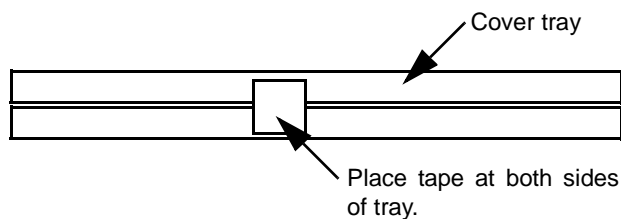


Figure 1 • Temporary Tray Holding

## Device Programming

Always use the vacuum wand provided to transfer devices.

### Removing Devices from Tray

1. Position the vacuum needle at the proper angle so that your index finger can rest on the vacuum switch (see Figure 2).

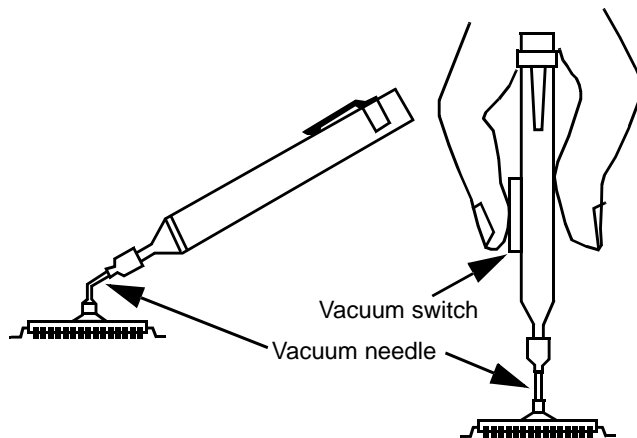


Figure 2 • Vacuum Wand

2. Slightly depress the vacuum switch and then place the vacuum cup on the surface of the device.
3. Release the vacuum switch while holding the cup down to generate the vacuum that causes the cup to adhere to the device body.
4. Make certain to transfer a device within 5 to 8 seconds.

### Loading the Device into the Programming Socket

1. Carefully align the device with the socket and gently lower the device into the socket (see Figure 3).

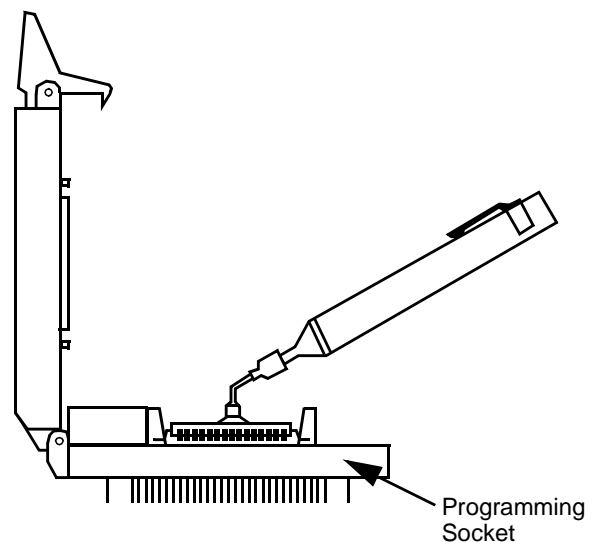


Figure 3 • Inserting the Device in the Socket

2. Do not force the device into the socket; otherwise, the corner leads may be bent if the alignment is out.
3. Release the vacuum by depressing the vacuum switch. The device will be self-aligned to the socket.

**Note:** To completely release the vacuum, the switch should be pressed down further than when pressed to generate the vacuum. Otherwise, a partial vacuum will pull the device back and may cause bent leads.

4. Close the lid. The device is ready for programming.

**Removing the Device from the Programming Socket**

When the programming of the device is complete, use the vacuum wand to remove the device from the socket and to place it in a tray labeled “programmed devices.”

**Cleaning the Vacuum Wand**

The suction cup of the vacuum wand should be cleaned periodically using IPA to minimize possible leakage in vacuum.

Actel and the Actel logo are registered trademarks of Actel Corporation.  
All other trademarks are the property of their owners.



<http://www.actel.com>

**Actel Europe Ltd.**

Daneshill House, Lutyens Close  
Basingstoke, Hampshire RG24 8AG  
United Kingdom

**Tel:** +44-(0)125-630-5600

**Fax:** +44-(0)125-635-5420

**Actel Corporation**

955 East Arques Avenue  
Sunnyvale, California 94086  
USA

**Tel:** (408) 739-1010

**Fax:** (408) 739-1540

**Actel Asia-Pacific**

EXOS Ebisu Bldg. 4F  
1-24-14 Ebisu Shibuya-ku  
Tokyo 150 Japan

**Tel:** +81-(0)3-3445-7671

**Fax:** +81-(0)3-3445-7668