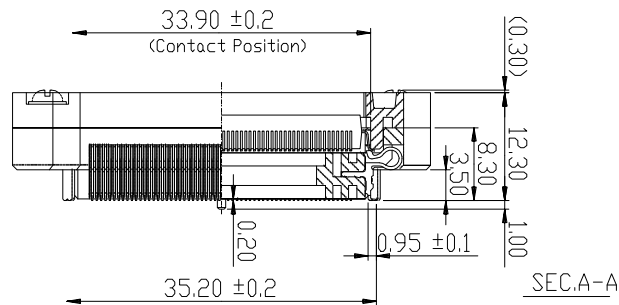
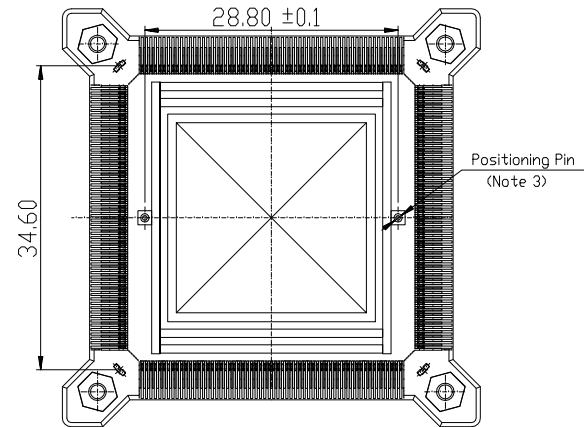
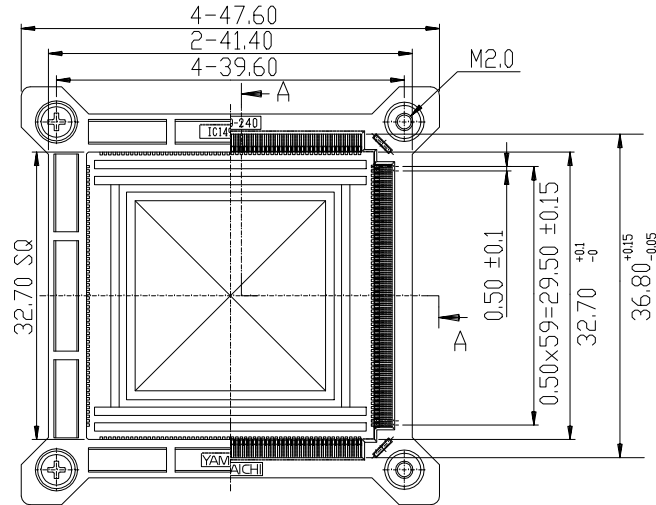


THE DRAWINGS AND INFORMATION CONTAINED HEREIN ARE THE EXCLUSIVE PROPERTY OF ACTEL.
 THE INFORMATION, DRAWINGS AND DESIGN CONCEPTS CONTAINED HEREIN ARE CONFIDENTIAL/PROPRIETARY, SHALL
 BE MAINTAINED IN STRICT CONFIDENCE, AND SHALL NOT BE RELEASED TO ANY THIRD PARTY WITHOUT THE EXPRESS
 WRITTEN PERMISSION OF ACTEL.

ECN NO.	REV.	DESCRIPTION OF CHANGE	EFFECTIVE DATE	ORIGINATOR
10709016/0	0	Initial	3/5/97	Thomas
980320	1	New form	10/16/98	R. Kuang



Notes:

1. Controlling dimensions are in millimeters.
2. Yamaichi socket number IC149-240-167-S5
3. Make 2 holes on PCB when you use socket with the guide pin. Do not plate the inside of the holes.

UNLESS OTHERWISE SPECIFIED DIMENSIONS ARE IN MILLIMETERS DECIMAL X.X ± 0.10 X.XX ± 0.05 X.XXX ± 0.03 MATERIAL SEE NOTES FINISH SEE NOTES DO NOT SCALE DRAWING	PROJECTION 	ACTEL CORP 955 E ARQUES AVE SUNNYVALE CA 94086 	
	APPROVALS DRAWN R. Kuang CHECKED ENG'R RELEASED	DATE 9/9/98	TITLE Yamaichi PQ240 Surface Mount Socket
	SIZE B	VENDOR NAME Yamaichi VENDOR SID(PART) NUMBER IC149-240-167-S5	ACTEL DWG. NUMBER 1-07-09016 VENDOR DWG. NUMBER N/A
	ACTEL Part#: SY-PQ240	SCALE: NONE	SHEET 1 OF 2

ACTEL CONFIDENTIAL