

ACTgen® Macros Reference Guide

Actel Corporation, Sunnyvale, CA 94086

© 2003 Actel Corporation. All rights reserved.

Part Number: 5029108-9

Release: June 2003

No part of this document may be copied or reproduced in any form or by any means without prior written consent of Actel.

Actel makes no warranties with respect to this documentation and disclaims any implied warranties of merchantability or fitness for a particular purpose.

Information in this document is subject to change without notice. Actel assumes no responsibility for any errors that may appear in this document.

This document contains confidential proprietary information that is not to be disclosed to any unauthorized person without prior written consent of Actel Corporation.

Trademarks

Actel and the Actel logotype are registered trademarks of Actel Corporation.

Acrobat Reader is a trademark of Adobe Systems, Inc.

Windows is a registered trademark of Microsoft in the U.S. and other countries.

All other products or brand names mentioned are trademarks or registered trademarks of their respective holders.

Table of Contents

Introduction	7
Document Conventions	7
Symbols	8
Your Comments	8
Online Help	8
Arithmetic Macros	9
Adder	10
Array Adder	13
Subtractor	16
Adder/Subtractor	18
Accumulator	20
Incrementer	23
Decrementer	25
Incrementer/Decrementer	27
Constant Multiplier	29
Multiplier	32
Advanced Options	36
Comparators	39
Magnitude/Equality Comparator	40
Constant Decoder	43
Converters	45
Gray Counter	46
Binary to Gray / Gray to Binary	48
Counters	49
Binary Counter	50
Decoder	56
Decoder	57
IOs	59

Input Buffers60
Output Buffers62
Bi-Directional Buffers64
Tri-State Buffers67
Global Buffers69
PECL Global Buffers71
PerPin FIFO73
Dual Data Rate Register76
Dual Data Rate FIFO78
Logic80
Logic (AND)81
Logic (OR)82
Logic (XOR)83
Multiplexer84
Multiplexer85
Minicores87
FIR Filter88
CRC Minicore93
PLLs.96
PLL for ProASICPLUS97
Axcelerator PLL101
Register (Storage Elements).106
Storage Register107
Shift Register110
Barrel Shifter113
Storage Latch116
Memory Macros for	
Non-Axcelerator Families119
Synchronous/Asynchronous Dual Port RAM120

Register File	127
Synchronous Dual Port FIFO without Flags	131
Synchronous Dual Port FIFO with Flags	135
FIFO Flag Controller (No RAM)	143
Memory Macros for Axcelerator.	147
Axcelerator RAM	148
Axcelerator EDAC RAM	152
Axcelerator FIFO	153
PerPin FIFO	157
Memory Macros for Flash Devices	158
Synchronous/Asynchronous Dual Port RAM for Flash	159
Register File for Flash Devices	161
Synchronous/Asynchronous Dual Port FIFO for Flash Devices	164
FIFO Using Distributed Memory for Flash	167
Memory in Flash	170
Embedded Memory.	170
Distributed Memory	176
Timing for Distrubuted Memories	182
Using Multiple Memories in a Design	185

Table of Contents

Introduction

This guide provides descriptions of macros that you can generate using the Actel ACTgen Macro Builder software. For more information about instantiating macros, refer to the *Actel HDL Coding Style Guide* and the ACTgen online help.

The Actel ACTgen Macro Builder generates a large variety of commonly used functions. You can generate structural netlists in EDIF, VHDL, and Verilog. Furthermore, you can generate VHDL and Verilog behavioral models for most parameterized functions (the behavioral models may be used in a simulation environment).

Actel's parameterized macros:

- Reduce the development time of complex functions.
- Offer a large set of implementations for each type of function.
- Offer a wide range of bit widths that provides a quick change of design definitions.

Document Conventions

The following table describes the conventions that are used throughout this manual.

Table 1. Functional Description of Table Nomenclature

Symbol	Definition
X	Don't care
1	Logical 1 or high
0	Logical 0 or low
↑	Rising edge
↓	Falling edge
Q_n	Value of the signal Q before the active edge of the clock
Q_{n+1}	Value of the signal Q after the active edge of the clock

Table 1. Functional Description of Table Nomenclature (Continued)

Symbol	Definition
Q_n [width-1 : 0]	Q_n is a width-bit bus
Q_n [width-1]	Width-1 bit of Q_n
m, n	Binary pattern with width of function

Symbols

Each macro symbol shows the input and output ports. Busses are highlighted with a bold line; scalar signals with a thin line. The actual symbols generated by ACTgen could look slightly different, depending on the particular CAE tool used. Some ports shown could be optional, as described in the port description tables. Default polarities are shown on the symbols.

Your Comments

Actel Corporation strives to produce the highest quality online help and printed documentation. We want to help you learn about our products, so you can get your work done quickly. We welcome your feedback about this guide and our online help. Please send your comments to **documentation@actel.com**.

Online Help

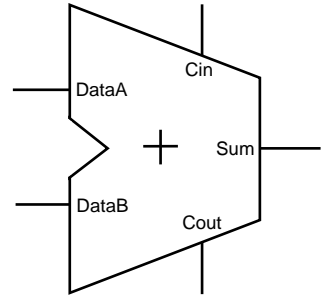
The Designer software comes with online help. Online help specific to each software tool is available in Libero, Designer, ACTgen, ACTmap, Silicon Expert, Silicon Explorer II, and Silicon Sculptor. Please refer to the ACTgen online help (open ACTgen and from the Help menu, select ACTgen Help) for a complete explanation of how to use the ACTgen tool.

Arithmetic Macros

Adder

Features

- Parameterized word length
- Optional carry-in and carry-out signals
- Multiple gate-level implementations (speed/area tradeoffs)
- Behavioral simulation model in VHDL and Verilog



Family Support

ACT 1, ACT 2/1200XL, ACT 3, 3200DX, 40MX, 42MX, 54SX, 54SX-A, eX, 500K, PA, 500K, Axcelerator

Description

Table 1-1. Port Description

Port Name	Size	Type	Req/Opt	Function
DataA	WIDTH	Input	Req.	Input Data
DataB	WIDTH	Input	Req.	Input Data
Cin	1	Input	Opt.	Carry-in
Sum	WIDTH	Output	Req.	Sum
Cout	1	Output	Opt.	Carry-out

Table 1-2. Parameter Description

Parameter	Family	Value	Function
WIDTH ^a	500K, PA	2-128	Word length of DataA, DataB and Sum
	Axcelerator	2-156	
	Other	2-32	
MAXFANOUT	500K, PA	0	Automatic choice (function of WIDTH)
		2-16	Manual setting of Max. Fanout
CI_POLARITY	ALL	0 1 2	Carry-in polarity (active high, active low and not used)

Table 1-2. Parameter Description

Parameter	Family	Value	Function
CO_POLARITY	ALL	0 1 2	Carry-out polarity (active high, active low and not used)

a. The Brent-Kung Adder extends the ranges from 32 to 128 bit for 54SX, 54SX-A and from 20 to 128 bit for 500K

The MAXFANOUT parameter enables you to perform logic replication for all Flash Adders, Subtractors, Adder/Subtractors and Accumulators. Inherently only the Sklansky algorithm generates high-fanout nets (max. fanout = WIDTH/2), so you will see effects only for this algorithm. The area increases exponentially for MAXFANOUT approaching 2 and it flattens out for higher values, as shown in Figure 1-1.

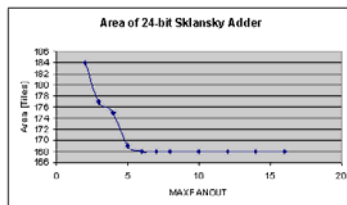


Figure 1-1. Adder Area as a Function of MAX FANOUT

Performance is not always as predictable (as shown in Figure 1-2). When you select automatic logic replication, ACTgen automatically chooses a value for MAXFANOUT based on WIDTH. This value returns a good, but not necessarily the best, result for that particular value of WIDTH.

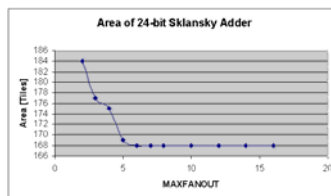


Figure 1-2. Adder Performance as a Function of MAX FANOUT

Table 1-3. Implementation Parameters

Parameter	Family	Value	Description
LPMTYPE	ALL	LPM_ADD_SUB	Adder category
LPM_HINT	500K, PA	SKADD	Sklansky model
		FBKADD	Fast Brent-Kung model
		BKADD	(Compact) Brent-Kung model
	ALL	FADD ^a	Very fast carry select model
		MFADD ^a	Fast carry select model
		RIPADD	Ripple carry model
LPMTYPE	Axcelerator	LPM_FC_ADD_SUB	Fast carry chain Adder category
LPM_HINT	Axcelerator	FC_FADD	Fast carry chain selct model
		FC_RIPADD	Fast carry chain ripple carry model

a. FADD and MFADD are NOT recommended for Flash devices.

Table 1-4. Functional Description

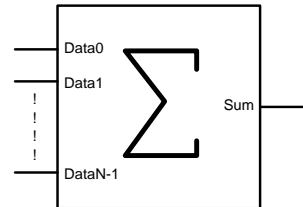
DataA	DataB	Sum	Cout ^a
m[width-1 : 0]	n[width-1 : 0]	(m + n + Cin)[width-1 : 0]	(m + n + Cin)[width]

a. Cin and Cout are assumed to be active high

Array Adder

Features

- Parameterized word length and number of input buses
- DADDA tree architecture with optional Final Adder
- Optional pipeline for implementation with Final Adder
- Behavioral simulation model in VHDL and Verilog



Family Support

54SX, 54SX-A, eX, 500K, PA, Axcelerator

Description

The Array-Adder implements a Sum-Function over an Array of Buses:

$$\text{Sum} = \sum_{\text{Data}(i)} \text{ where } i = (0 \text{ to } \text{SIZE}-1)$$

In applications where designers have to add more than two operands at a time “Carry-Save- Techniques” might be used to build the final Sum. ACTgen makes these techniques available through the Array-Adder macro, which is using a Dadda tree algorithm. Usually this algorithm is more compact and faster than using Adder-trees consisting of multiple 2-operand adders, especially if the number of operands gets large and/or for large word width.

An example could be the FIR-filter architecture using a “distributed arithmetic” as described in the Application Note from September 1997 “Designing FIR Filters with Actel FPGAs.” This architecture generates a large number of partial products, which need to be summed up. Summing them up in an Adder-Tree would both be slow and area expensive. At the time of writing this document synthesis tools did not infer Multiple-Operand-Adders. Therefore making use of the Array-Adder in those types of applications might result in a significant gain in both speed and area.

The Array Adder comes with or without Final Adder. The version with Final Adder allows to instantiate a pipeline stage between the Dadda-tree and the Final Adder. The output bitwidth for Sum can be calculated using this formula:

$$\text{OUTWIDTH} = \log_2((m * \exp_2(n) - 1) + 1) \leq n + \log_2(m)$$

The version without Final Adder has two output ports: SumA and SumB, which added together, will provide the Final Result. It is

SumA_Width <= SumB_Width <= OUTWIDTH

The differences are at most one bit. This variation of the Array-Adder is particularly useful for an application, which would cascade the Array-Adder. In that case only the last stage would need a Final Adder to build the result.

Table 1-5. Port Description

Port Name	Size	Type	Req/Opt	Function
Data0	WIDTH	Input	Req.	Input Data (Operand 0)
Data1	WIDTH	Input	Req.	Input Data (Operand 1)
Data2	WIDTH	Input	Req.	Input Data (Operand 2)
Datax	WIDTH	Input	Opt.	Input Data (Operand X) X>2
Sum	OUT-WIDTH	Output	Req.	$\sum \text{Data}(i) \rightarrow i = 0 \text{ to } \text{SIZE}-1$
Clock	1	Input	Opt.	Clock (if pipelined)

Table 1-6. Parameter Description

Parameter	Value		Function
WIDTH	width	AX/Flash: 2-64 All others: 2-32	Word length Data(i)
SIZE	size	AX/Flash: 3-64 All others: 3-32	Number of input buses
CKL_EDGE	RISE FALL		Clock (if pipelined)

Table 1-7. Implementation Parameters

Parameter	Value	Description
LPMTYPE	DADDA	Generic Array Adder category
LPM_HINT	ARRADD	Array Adder with Final Adder

Table 1-7. Implementation Parameters

Parameter	Value	Description
	ARRADDP	Pipelined Array Adder with Final Adder
	ARRADD2	Array Adder without Final Adder

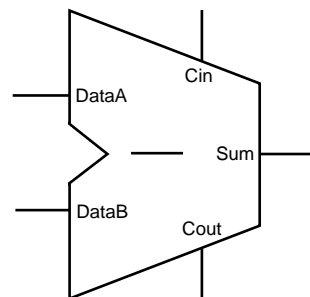
Table 1-8. Parameter Rules

Family	Variation	Parameter Rules
eX	ARRADD / ARRADDP	WIDTH * SIZE <=870
	ARRADD2	WIDTH * SIZE <= 930
SX	ARRADD / ARADDP	WIDTH * SIZE <=110
	ARRADD2	WIDTH * SIZE <=144
Axcelerator	ARRADD / ARADDP	WIDTH * SIZE <= 1920
	ARRADD2	WIDTH * SIZE <= 1856

Subtractor

Features

- Parameterized word length
- Optional carry-in and carry-out signals
- Multiple gate-level implementations (speed/area tradeoffs)
- Behavioral simulation model in VHDL and Verilog



Family Support

ACT 1, ACT 2/1200XL, ACT 3, 3200DX, 40MX, 42MX, 54SX, 54SX-A, eX, 500K, PA, Axcelerator

Description

Table 1-9. Port Description

Port Name	Size	Type	Req/Opt	Function
DataA	WIDTH	Input	Req.	Input Data
DataB	WIDTH	Input	Req.	Input Data
Cin	1	Input	Opt.	Carry-in
Sum	WIDTH	Output	Req.	Sum
Cout	1	Output	Opt.	Carry-out

Table 1-10. Parameter Description

Parameter	Family	Value	Function
WIDTH ^a	500K, PA	2-128	Word length of DataA, DataB and Sum
	Axcelerator	2-156	
	Other	2-32	
MAXFANOUT	500K, PA	0	Automatic choice (function of WIDTH)
		2-16	Manual setting of Max. Fanout

Table 1-10. Parameter Description (Continued)

Parameter	Family	Value	Function
CI_POLARITY	ALL	0 1 2	Carry-in polarity (active high, active low and not used)
CO_POLARITY	ALL	0 1 2	Carry-out polarity (active high, active low and not used)

a. The Brent-Kung Subtractor extends the ranges from 32 to 128 bit for 54SX, 54SX-A and from 20 to 128 bit for 500K

Table 1-11. Implementation Parameters

Parameter	Family	Value	Description
LPMTYPE	ALL	LPM_ADD_SUB	Subtractor category
LPM_HINT	500K, PA	SKSUB	Sklansky model
		FBKSUB	Fast Brent-Kung model
		BKSUB	(Compact) Brent-Kung model
	ALL	FSUB ^a	Very fast carry select model
		MFSUB ^a	Fast carry select model
		RIPSUB	Ripple carry model
LPMTYPE	Axcelerator	LPM_FC_ADD_SUB	Fast carry chain Subtractor category
LPM_HINT	Axcelerator	FC_FSUB	Fast carry chain selct model
		FC_RIPSUB	Fast carry chain ripple carry model

a. FSUB and MFSUB are not recommended for Flash devices.

Table 1-12. Functional Description

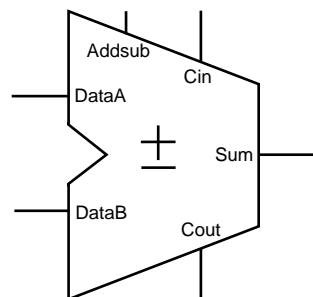
DataA	DataB	Sum	Cout ^a
m[width-1 : 0]	n[width-1 : 0]	(m - n - Cin) [width-1 : 0]	(m - n - Cin)[width]

a. Cin and Cout are assumed to be active high

Adder/Subtractor

Features

- Parameterized word length
- Optional carry-in and carry-out signals
- Multiple gate-level implementations (speed/area tradeoffs)
- Behavioral simulation model in VHDL and Verilog



Family Support

ACT 1, ACT 2/1200XL, ACT 3, 3200DX, 40MX, 42MX, 54SX, 54SX-A, eX, 500K, PA, Axcelerator

Description

Table 1-13. Port Description

Port Name	Size	Type	Req/Opt	Function
DataA	WIDTH	Input	Req.	Input Data
DataB	WIDTH	Input	Req.	Input Data
Cin	1	Input	Opt.	Carry-in
Sum	WIDTH	Output	Req.	Sum
Cout	1	Output	Opt.	Carry-out
Addsub	1	Input	Req.	Addition (AddSub = 1) or subtraction (Addsub = 0)

Table 1-14. Parameter Description

Parameter	Family	Value	Function
WIDTH ^a	500K, PA	2-128	Word length of DataA, DataB and Sum
	Axcelerator	2-156	
	Other	2-32	
MAXFANOUT	500K, PA	0	Automatic choice (function of WIDTH)
		2-16	Manual setting of Max. Fanout
CI_POLARITY	ALL	0 1 2	Carry-in polarity (active high, active low, and not used)

Table 1-14. Parameter Description

Parameter	Family	Value	Function
CO_POLARITY	ALL	0 1 2	Carry-out polarity (active high, active low, and not used)

a. The Brent-Kung Adder/Subtractor extends the ranges from 32 to 128 bit for 54SX, 54SX-A and from 20 to 128 bit for 500K

Table 1-15. Implementation Parameters

Parameter	Family	Value	Description
LPMTYPE	ALL	LPM_ADD_SUB	Adder/Subtractor category
LPM_HINT	500K, PA	SKADDSUB	Sklansky model
		FBKADDSUB	Fast Brent-Kung model
		BKADDSUB	(Compact) Brent-Kung model
	ALL	FADDSUB ^a	Very fast carry select model
		MFADDSUB ^a	Fast carry select model
		RIPADDSUB	Ripple carry model
LPMTYPE	Axcelerator	LPM_FC_ADD_SUB	Fast carry chain Adder category
LPM_HINT	Axcelerator	FC_FADDSUB	Fast carry chain select model
		FC_RIPADDSUB	Fast carry chain ripple carry model

a. FADDSUB and MFADDSUB are not recommended for Flash devices.

Table 1-16. Functional Description

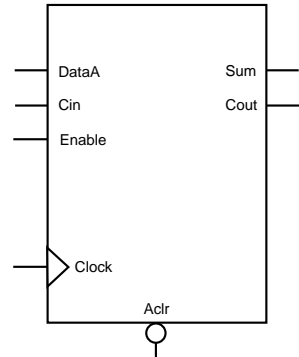
DataA	DataB	Addsub	Sum	Cout ^a
m[width-1 : 0]	n[width-1 : 0]	(m + n + Cin)[width-1 : 0]	(m + n + Cin)[width]	m[width-1 : 0]
m[width-1 : 0]	n[width-1 : 0]	(m - n - Cin)[width-1 : 0]	(m - n - Cin)[width]	m[width-1 : 0]

a. Cin and Cout are assumed to be active high here.

Accumulator

Features

- Parameterized word length
- Optional carry-in and carry-out signals
- Asynchronous reset
- Accumulator enable
- Multiple gate-level implementations (speed/area tradeoffs)
- Behavioral simulation model in VHDL and Verilog



Family Support

ACT 1, ACT 2/1200XL, ACT 3, 3200DX, 40MX, 42MX, 54SX, 54SX-A, eX, PA, 500K, Axcelerator

Description

Table 1-17. Port Description

Port Name	Size	Type	Req/Opt	Function
DataA	WIDTH	Input	Req.	Input Data
Cin	1	Input	Opt.	Carry-in
Sum	WIDTH	Output	Req.	Sum
Cout	1	Output	Opt.	Carry-out
Enable	1	Input	Opt	Enable
Clock	1	Input	Req.	Clock
Aclr	1	Input	Opt	Asynchronous Reset

Table 1-18. Parameter Description

Parameter	Family	Value	Function
WIDTH ^a	500K, PA	2-128	Word length of DataA, DataB and Sum
	Axcelerator	2-156	
	Other	2-32	
MAXFANOUT	500K, PA	0	Automatic choice (function of WIDTH)
		2-16	Manual setting of Max. Fanout
CI_POLARITY	ALL	0 1 2	Carry-in polarity (active high, active low, and not used)
CO_POLARITY	ALL	0 1 2	Carry-out polarity (active high, active low, and not used)
CLR_POLARITY	ALL	0 1 2	Asynchronous reset (active high, active low, and not used)
EN_POLARITY	ALL	0 1 2	Accumulator enable (active high, active low, and not used)
FFTYPE ^b	ALL except Flash	REGULAR TMR	FF type used (Regular, Triple Voting)
CLK_EDGE	ALL	RISE FALL	Active High/Low

- a. The Brent-Kung Accumulator extends the ranges from 32 to 128 bit for 54SX, 54SX-A and from 20 to 128 bit for 500K
b. TMR is Triple Module Redundancy. Choosing this option makes ACTgen use TMR FlipFlops that are used to avoid Single Event Upsets (SEUs) for Rad-hard Designs. Choosing this option causes the Sequential resource usage to be tripled in families where no TMR is implemented in Silicon.

Table 1-19. Fan-in Control Parameters

Parameter	Value
CLR_FANIN	AUTO MANUAL
CLR_VAL	<val> [default value for AUTO is 8, 1 for MANUAL]
EN_FANIN	AUTO MANUAL
EN_VAL	<val> [default value for AUTO is 6, 1 for MANUAL]
CLK_FANIN	AUTO MANUAL
CLK_VAL	<val> [default value for AUTO is 8, 1 for MANUAL]

Table 1-20. Implementation Parameters

Parameter	Family	Value	Description
LPMTYPE		LPM_ADD_SUB	Accumulator category
LPM_HINT	500K, PA	SKACC	Sklansky model
		FBKACC	Fast Brent-Kung model
		BKACC	(Compact) Brent-Kung model
	ALL	FACC ^a	Very fast carry select model
		MFACC ^a	Fast carry select model
		RIPACC	Ripple carry model
LPMTYPE	Axcelerator	LPM_FC_ADD_SUB	Fast carry chain Adder category
LPM_HINT	Axcelerator	FC_FACC	Fast carry chain selct model
		FC_RIPACC	Fast carry chain ripple carry model

a. The FACC and MACC parameters are not recommended for Flash devices.

Table 1-21. Functional Description

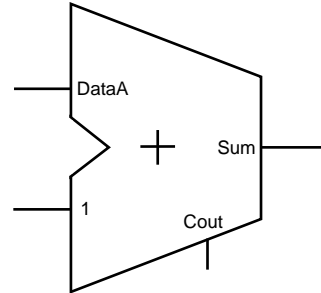
DataA	Sum _{n+1}	Cout ^a
m[width-1 : 0]	(m + Sum _n + Cin)[width-1 : 0]	(m + Sum _n + Cin)[width]

a. Cin and Cout are assumed to be active high.

Incrementer

Features

- Parameterized word length
- Optional Carry-out signals
- One very fast gate level implementation, FC High Speed and FC Ripple available
- Behavioral simulation model in VHDL and Verilog



Family Support

ACT 2/1200XL, ACT 3, 3200DX, 42MX, 54SX, 54SX-A, eX, 500K, PA, Accelerator

Description

Table 1-22. Port Description

Port Name	Size	Type	Req/Opt	Function
DataA	WIDTH	Input	Req.	Input Data
Sum	WIDTH	Output	Req.	Sum
Cout	1	Output	Opt.	Carry-out

Table 1-23. Parameter Description

Parameter	Value	Function
WIDTH	2-32 2-156 for FC Macros	Word length of DataA and Sum
CO_POLARITY	0 1 2	Carry-out polarity (active high, active low, and not used)

Table 1-24. Implementation Parameters

Parameter	Value	Description
LPMTYPE	LPM_ADD_SUB	Incrementer category
LPM_HINT	FINC; FC_FINC, FC_RIPINC	Very fast carry look ahead

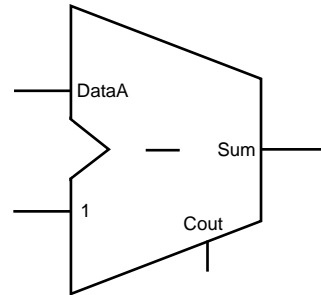
Table 1-25. Functional Description

DataA	Sum	Cout
m	m + 1	$(m + 1) \geq 2^{\text{width}}$

Decrementer

Features

- Parameterized word length
- Optional Carry-out signals
- One very fast gate level implementation, FC High Speed and FC Ripple available
- Behavioral simulation model in VHDL and Verilog



Family Support

ACT 2/1200XL, ACT 3, 3200DX, 42MX, 54SX, 54SX-A, eX, 500K, PA, Accelerator

Description

Table 1-26. Port Description

Port Name	Size	Type	Req/Opt	Function
DataA	WIDTH	Input	Req.	Input Data
Sum	WIDTH	Output	Req.	Sum
Cout	1	Output	Opt.	Carry-out

Table 1-27. Parameter Description

Parameter	Value	Function
WIDTH	2-32 2-156 for FC_FDEC and FC_RIPDEC	Word length of DataA and Sum
CO_POLARITY	0 1 2	Carry-out polarity (active high, active low, and not used)

Table 1-28. Implementation Parameters

Parameter	Value	Description
LPMTYPE	LPM_ADD_SUB	Decrementer category
LPM_HINT	FDEC FC_FDEC and FC_RIPDEC, Fast Carry Versions	Very fast carry look ahead

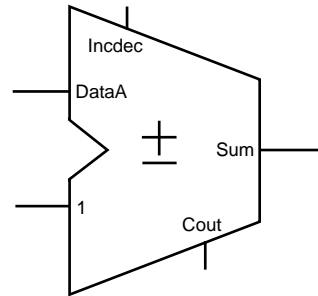
Table 1-29. Functional Description

DataA	DataB	Sum	Cout
m	n	m - 1	(m-1) < 0

Incrementer/Decrementer

Features

- Parameterized word length
- Optional Carry-out signals
- One very fast gate level implementation, FC High Speed and FC Ripple available
- Behavioral simulation model in VHDL and Verilog



Family Support

ACT 2/1200XL, ACT 3, 3200DX, 42MX, 54SX, 54SX-A, eX, 500K, PA, Axcelerator

Description

Table 1-30. Port Description

Port Name	Size	Type	Req/Opt	Function
DataA	WIDTH	Input	Req.	Input Data
Sum	WIDTH	Output	Req.	Sum
Cout	1	Output	Opt.	Carry-out
Incdec	1	Input	Req.	Increment (Incdec = 1) or decrement (Incdec = 0)

Table 1-31. Parameter Description

Parameter	Value	Function
WIDTH	2-32 2-156 for FC_FINCDEC and FC_RIPINCDEC	Word length of DataA and Sum
CO_POLARITY	0 1 2	Carry-out polarity (active high, active low, and not used)

Table 1-32. Implementation Parameters

Parameter	Value	Description
LPMTYPE	LPM_ADD_SUB	Incrementer/Decrementer category
LPM_HINT	FINCDEC FC_FINCDEC FC_RIPINCDEC	Very fast carry look ahead

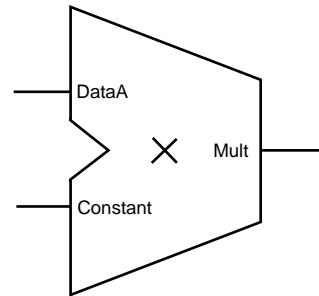
Table 1-33. Functional Description

DataA	Incdec	Sum	Cout
m	1	m + 1	$(m + 1) \geq 2^{\text{width}}$
m	0	m - 1	$(m - 1) < 0$

Constant Multiplier

Features

- Parameterized word lengths and constant values
- Unsigned and signed (two's complement) data representation
- Booth / Wallace architecture
- Behavioral simulation model (for non-pipelined multiplier only) in VHDL and Verilog



Family Support

54SX, 54SX-A, eX, 500K, PA, Axcelerator

Description

The Constant Multiplier performs the multiplication of a data-input with a constant value. Area and performance of the Constant Multiplier depend on the value of the constant. Specifically, area and performance depend on the number of groups of 1's in the bit pattern of the constant. As a result, the worst-case constant has a bit pattern of alternating 1's and 0's (...010101...). However, even for that worst case the area and performance of the Constant Multiplier is superior to a regular Multiplier.

The Constant Multiplier macro output word length is always double the input word length. Depending on the value of the constant, some of the most significant bits might be sign-extension bits. You may be able to reduce hardware by calculating the actual number of bits needed and cutting all sign-extension bits. For example:

width =4, Constant = 1100, representation=signed

The worst case data for this example would be 1000 (-8) and therefore the worst case output data would be 010 0000 (-8 * -4 = 32). So with that we know, that Mult<8> is just a sign-extension bit (Mult<8> = Mult<7>).

Keep in mind that some constant multiplications might be generated even more effectively, e.g. constants to the power of 2 are just shift-operations, or constants like 3,5,7,9,10, etc. can be generated using shift operations and a simple addition/subtraction (2+1, 4+1, 8-1, 8+1, 8+2, etc.). For these constants the implementation of the Constant Multiplier might not be as efficient as using shift operations and/or Adders/Subtractors.

Usually synthesis infers regular Multipliers even for constant values. Therefore the use of the Constant Multiplier macro in a design, which performs one or more multiplications with constant values, is expected to be very beneficial.

An application example might be FIR-filters with constant coefficients, where the computation is organized in the “transposed form” as indicated in Figure 1-3.

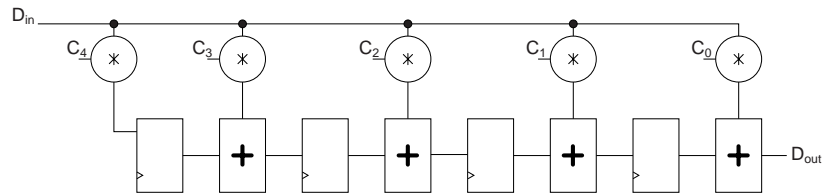


Figure 1-3. FIR-filter Organized in the "Transposed Form" Using Constant Multipliers

Table 1-34. Port Description

Port Name	Size	Type	Req/Opt	Function
Data	WIDTH	Input	Req.	Input data
Mult	2*WIDTH	Output	Req.	Constant * Data

Table 1-35. Parameter Description

Parameter	Value	Function
WIDTH ^a	2-64	Word length Data
CONST	Constant	Constant value
RADIX	HEX BIN DEC	Radix for constant value
SIGN ^b	0 1	Positive, negative constant sign

a. For eX WIDTH is supported from 2-11

b. For signed constant multiplier

Parameter Rules:

1. DataA is always binary and of the size of Width.
2. Constant must be of the selected Radix and be of the selected width for HEX/BIN. ACTgen automatically pads zeroes if they are missing.

e.g.: Radix: BIN, Width: 5, Constant: 00010

Radix Hex, Width:8, Constant: 0A

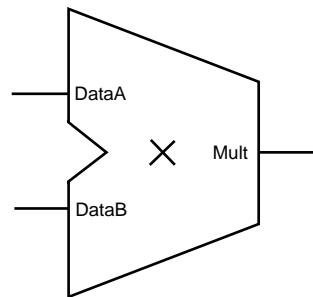
Table 1-36. Implementation Parameters

Parameter	Value	Description
LPMTYPE	LPM_MULT	Constant multiplier category
LPM_HINT	UCMULT	Unsigned constant multiplier
	SCMULT	Signed constant multiplier

Multiplier

Features

- Parameterized word lengths
- Unsigned and signed (two's complement) data representation
- Booth or array implementation
- Optional pipelining
- Behavioral simulation model in VHDL and Verilog



Family Support

ACT 2/1200XL, ACT 3, 3200DX, 42MX, 54SX, 54SX-A, eX, 500K, PA, Accelerator¹

Description

Table 1-37. Port Description

Port Name	Size	Type	Req/Opt	Function
DataA	WIDTHA	Input	Req.	Input data
DataB	WIDTHB	Input	Req.	Input data
Clock	1	Input	Opt.	Clock
Mult	WIDTHA+WIDTHB	Output	Opt.	DataA*DataB
Mult0	WIDTHA+WIDTHB	Output	Opt.	Mult0 + Mult1 =
Mult1	WIDTHA+WIDTHB	Output	Opt.	DataA*DataB

1. For more information on the Fast Carry Chain macros available with the Accelerator family, please refer to “Fast Carry Chains (Accelerator Only)” on page 20.

Table 1-38. Parameter Description

Parameter	Family	Value	Function
WIDTHA ^a	500K, PA, Axcelerator	2-64	Word length of DataA
	eX	2-14	
	Other	2-30	
WIDTHB	Same as WIDTHA		Word length of DataB
REPRESENTATION		UNSIGNED SIGNED	Data representation
FFTYPE ^b	ALL except Flash	REGULAR TMR CC	FF Type Used (Default, Triple Voting, Combinatorial)
CLK_EDGE		RISE FALL	Clock (if pipelined)

a. For some of the multiplier variations there are small deviations from the limits mentioned to ensure that the multiplier fits in the largest device of the selected family.

b. TMR: Triple Module Redundancy. Choosing this option makes ACTgen use TMR FlipFlops which are used to avoid Single Event Upsets (SEUs) for Rad-hard Designs. Choosing this option causes the Sequential resource usage to be tripled in families where no TMR is implemented in Silicon.

CC: When combinatorial option is chosen for the Sequential Type, the FF is implemented using two Combinatorial Cells instead of one Sequential Cell. This is useful when no Sequential resources are available in the designs.

This option is applicable only to the pipelined multipliers.

Table 1-39. Functional Description

DataA	DataB	Mult1 ^a
m	n	m * n

a. If pipelined, the sum is correct (available) after <latency> cycles. Latency is a function of WIDTHA and WIDTHB, or the number of pipelined stages mentioned specifically (eg. 1 or 2 pipelines).

Table 1-40. Functional Description

DataA	DataB	Mult0/1^a
m	n	Mult1 + Mult2 = m * n

a. Mult1 <0> is always 0

Table 1-41. Parameter Rules^a

Family	Variation	Parameter rules
All	All	WIDTHA ≥ WIDTHB
eX	BOOTHMULT/P	WIDTHA + WIDTHB ≤ 15 (signed) / 16 (unsigned)
	BOOTHMULTP	For TMR restrictions for WIDTHA, WIDTHB
	BOOTHMULT2	WIDTHA + WIDTHB ≤ 17 (signed) / 18 (unsigned)
SX/SX-A	BOOTHMULT/P	WIDTHA + WIDTHB ≤ 32
	BOOTHMULT2	WIDTHA + WIDTHB ≤ 55
Axcelerator	ARRAYMULT	WIDTHA + WIDTHB ≤ 128
	PARRAYMULT	WIDTHA + WIDTHB ≤ 128
	FC_BOOTHMULT1	WIDTHA + WIDTHB ≤ 106
	FC_BOOTHMULT1	WIDTHA + WIDTHB ≤ 106
500K, PA	All	WIDTHA + WIDTHB ≤ 106
Other	All	WIDTHA + WIDTHB ≤ 32

a. These are the most important parameter rules; additional rules may apply

Table 1-42. Implementation Parameters

Parameter	Value	Description
LPMTYPE	LPM_MULT	Multiplier category
LPM_HINT	BOOTHMULT	Booth multiplier
	BOOTHMULT2 ^a	Booth multiplier without final Adder
	BOOTHMULTP	Pipelined booth multiplier
LPMTYPE	LPM_FC_MULT	Fast Carry multiplier category (Accelerator) ^b
	PARRAYMULT	Fast Carry array multipliers in parallel; each array multiplier consists of a 1-bit multiplier (MULT1); the rows of the array use fast carry chains, but there is a regular routing between columns
	BOOTHMULT1	Booth-encoded Wallace-tree with Fast Carry final adder
	BOOTHMULT2	Booth-encoded multiplier with n-bit Fast Carry adder tree

a. Available for 54SX, 54SX-A, eX, 500K & PA

b. For information on multiplier area and performance please refer to the latest Actel application note available at <http://www.actel.com>

Table 1-43. Accelerator Multiplier Architecture Comparison Speed^a

Architecture \ Speed	1 (fastest)	2	3 (slowest)
Parallel-2 Array Multiplier	width <= 8 bit	8 bit < width <= 10 bit	width > 10 bit
FC Booth-1	8 bit < width <= 20 bit	width <= 8 bit or width > 20 bit	
FC Booth-2	width > 20 bit	10 bit < width <= 20 bit	width <= 10 bit

a. For simplicity's sake, the table assumes WIDTHA = WIDTHB = width

Table 1-44. Axcelerator Multiplier Architecture Comparison: Area

Architecture \ Speed	1 (smallest)	2	3 (largest)
Parallel-2 Array Multiplier	always		
FC Booth-1			always
FC Booth-2		always	

Advanced Options

Click the Advanced button (available for PA, 500K, and Axcelerator devices) to specify pipeline stages. If you are using a PA or 500K device, you can insert (default setting) or omit the final Adder stage.

Omitting the Final Adder

You can choose not to instantiate the final adder in the multiplier and add up the two buses Mult0 and Mult1 to the final result later in the design flow. This is often the most efficient implementation when a lot of partial results get summed up in a large summation network. Figure 1-4 shows an example for $Y = (A \times B) + C + D$ using the multiplier with 2 outputs in combination with the Array-Adder.

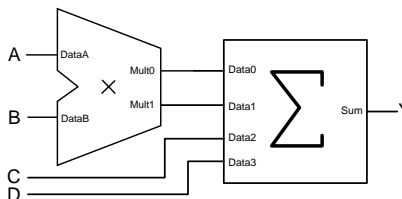


Figure 1-4. Efficient implementation using the 2-output multiplier in combination with the Array-Adder

Multiplier Pipelining

For 500K, PA and Axcelerator devices you can specify the number of pipeline stages (1, 2, or 3). However, three pipeline stages increases performance only for high bitwidth. Click the Advanced button in the GUI to access pipelining

Table 1-45. Pipeline Stages

Pipeline Stages	WidthB	
	w/ Final Adder	w/o Final Adder
1	≥ 2	≥ 5
2	≥ 5	≥ 7
3	≥ 7	Not applicable

For ACT 2/1200XL, ACT 3, 3200DX, 42MX, 54SX, 54SX-A, eX the multiplier architecture does not allow you to select the latency of the pipelined multiplier or the number of logic levels between the pipeline stages. Registers are automatically inserted between the major components of the architecture, primarily the multiplexer and adder macros, as shown in Figure 1-5.

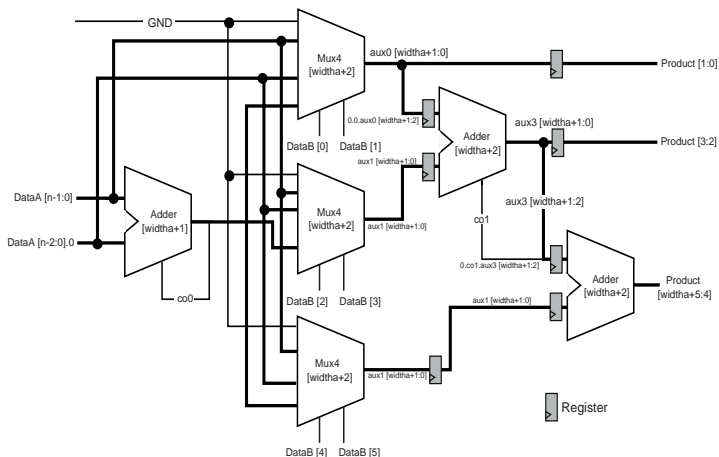


Figure 1-5. Booth Multiplier Architecture (Pipeline)

The number of pipeline stages is a function of the width of the DataB input. The number of logic levels per pipeline stage is a function of the width of the DataA input. Therefore, the number of logic levels per pipeline stage is equal to the number of logic levels of the first adder ($WIDTHA + 1$) plus 1 for the 4 to 1 multiplexer, as shown in Figure 1-5.

Table 1-46. Pipeline Stages as a Function of WidthB

WidthB Range	Pipeline Stages
2	0
3-4	1
5-8	2
9-16	3

Table 1-47. Logic Levels as a Function of WidthA

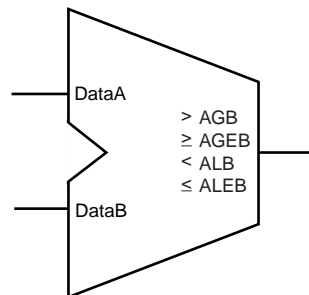
WidthA Range	Logic Levels
2-5	3
6-17	4
18-30	5

Comparators

Magnitude/Equality Comparator

Features

- Parameterized word length
- Unsigned and signed (two's complement) data comparison
- One very fast gate level implementation
- Behavioral simulation model in VHDL and Verilog



Family Support¹

ACT 1, ACT 2/1200XL, ACT 3, 3200DX, 40MX, 42MX, 54SX, 54SX-A, eX, 500K, PA, Axcelerator

Description

Table 2-1. Port Description

Port Name	Size	Type	Req/Opt	Function
DataA	WIDTH	Input	Req.	Input data
DataB	WIDTH	Input	Req.	Input data
AGB	1	Output	Opt.	Output comparison; $A > B$
AGEB	1	Output	Opt.	Output comparison; $A \geq B$
ALB	1	Output	Opt.	Output comparison; $A < B$
ALEB	1	Output	Opt.	Output comparison; $A \leq B$
AEB	1	Output	Opt.	Output comparison; $A = B$
ANEB	1	Output	Opt.	Output comparison; $A \neq B$

1. For Flash devices the Equality Comparator and the Magnitude Comparator are separate. For all other devices they are the same macro. There is a Fast Carry Magnitude Comparator available for Axcelerator.

Table 2-2. Parameter Description

Parameter	Value	Function
WIDTH	2-32	Word length of DataA and DataB
REPRESENTATION	UNSIGNED SIGNED	
AGB_POLARITY	0 1 2	AGB polarity (active high, active low, and not used)
AGEB_POLARITY	0 1 2	AGEB polarity (active high, active low, and not used)
ALB_POLARITY	0 1 2	ALB polarity (active high, active low, and not used)
ALEB_POLARITY	0 1 2	ALEB polarity (active high, active low, and not used)
AEB_POLARITY	0 1 2	AEB polarity (active high, active low, and not used)
ANEB_POLARITY	0 1 2	ANEB polarity (active high, active low, and not used)

Table 2-3. Implementation Parameters

Parameter	Value	Description
LPM_TYPE	LPM_COMPARE	Comparator category
	LPM_FC_COMPARE	Fast Comparator Category
LPM_HINT	COMPARE	Very fast carry select
	FC_MAGCOMP	Very fast Magnitude Comparator

Table 2-4. Parameter Rules

Parameter Rules
At least one of the comparisons (AGB, AGEB, ALB, ALEB, AEB or ANEB) must be selected

Table 2-4. Parameter Rules (Continued)

Parameter Rules
Only one of the magnitude comparisons (AGB, AGEB, ALB or ALEB) can be selected at the same time
Only one of the equality comparisons (AEB or ANEB) can be selected at the same time

Table 2-5. Functional Description

DataA	DataB	AGB	AGEB	ALB	ALEB	AEB	ANEB
m	n	$m > n$	$m \geq n$	$m < n$	$m \leq n$	$m = n$	$m \neq n$

Table 2-6. Implementation Parameters

Implementation (LPM_HINT)	Description
COMPARE	Very fast carry select model
FC_MAGCOMP	Very fast Magnitude Comparator

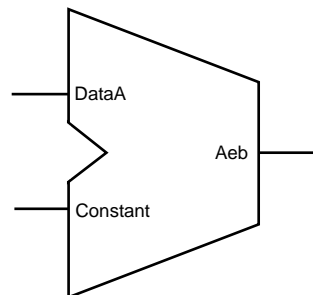
Table 2-7. Parameter Rules

Parameter rules
At least one of the comparisons (AGB, AGEB, ALB, ALEB, AEB or ANEB) must be selected
Only one of the magnitude comparisons (AGB, AGEB, ALB or ALEB) can be selected at the same time
Only one of the equality comparisons (AEB or ANEB) can be selected at the same time

Constant Decoder

Features

- Parameterized word length
- DEC/BIN/HEX radices for constant
- Equal/Not Equal comparison



Family Support

ACT 1, ACT 2/1200XL, ACT 3, 3200DX, 40MX, 42MX, 54SX, 54SX-A, eX, 500K, PA, Axcelerator

Description

Table 2-8. Port Description

Port Name	Size	Type	Req/Opt	Function
DataA	WIDTH	Input	Req.	Input Data
Aeb	1	Output	Req.	Result

Table 2-9. Parameter Description

Parameter	Value	Function
WIDTH	2-32 ^a	Word length of DataA and Constant
Radix	Dec/Bin/Hex	Base of Constant
Constant	Same as Width in selected Radix	The value with which input data will be compared
AEB_POLARITY	0, 1	A equals B polarity (Active High, Active Low)

a. For Flash devices, width is 2-128

Table 2-10. Implementation Parameters

Parameter	Value	Description
LPM_TYPE	LPM_COMPARE	Comparator category
LPM_HINT	WDEC	Very fast

Parameter Rules:

1. DataA is always binary and of the size of Width.
2. Constant must be of the selected Radix and be of the selected width for HEX/BIN.
 e.g.: Radix: BIN, Width: 5, Constant: 00010
 Radix Hex, Width:8, Constant: 0A

Table 2-11. Functional Description

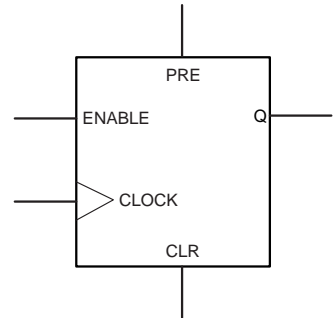
Aeb
DataA = Constant

Converters

Gray Counter

Features

- Parameterized for Data Width
- Asynchronous Clear, Asynchronous Preset



Family support

54SX, Axcelerator

Description

ACTgen can generate Gray Counters parameterized for a specified Data Width and with a choice of Enable, Asynchronous Clear, and Asynchronous Preset signals.

Table 3-1. Port Description

Port Name	Size	Type	Req/Opt	Function
Clock	WIDTH	Input	Req.	Input Data
Q	WIDTH	Output	Req.	Output Data
Clr	1	Input	Opt.	Clear
Pre	1	Input	Opt.	Preset
Enable	1	Input	Opt.	Enable

Table 3-2. Parameter Description

Parameter	Value	Function
GRAYCOUNT	2-99	Output Data Width
CLR_POLARITY	0,1,2	Clear Polarity
PRE_POLARITY	0,1,2	Preset Polarity
EN_POLARITY	0,1	Enable Polarity
CLK_EDGE	RISE,FALL	Clock Edge

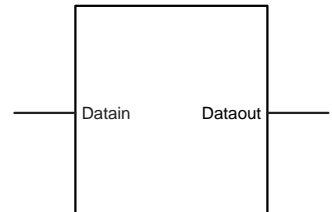
Table 3-3. Implementation Parameters

Parameter	Value	Function
LPMTYPE	LPM_GRAY COUNTER	Gray Counter

Binary to Gray / Gray to Binary

Features

- Parameterized for Data Width



Family support

54SX, Axcelerator

Description

ACTgen can generate Binary to Gray and Gray to Binary Converters parameterized for a specified Data Width.

Table 3-4. Port Description

Port Name	Size	Type	Req/Opt	Function
Datain	WIDTH	Input	Req.	Input Data
Dataout	WIDTH	Output	Req.	Output Data

Table 3-5. Parameter Description

Parameter	Value	Function
GRAYDECODE/WIDTH	2-99	Input/Output Data Width

Table 3-6. Implementation Parameters

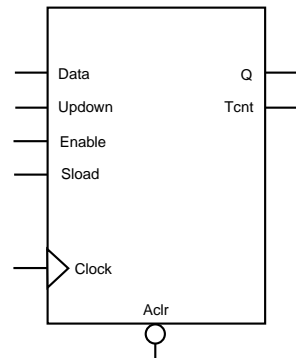
Parameter	Value	Function
LPMTYPE	LPM_GRAYENCODE/ LPMGRAYDECODE	Binary to Gray and Gray to Binary Converter

Counters

Binary Counter

Features

- Parameterized word length
- Up, Down and Up/Down architectures
- Asynchronous clear
- Asynchronous preset (available only for Flash devices)
- Synchronous counter load
- Synchronous count enable
- Terminal count flag (not available for Axcelerator)
- Multiple gate level implementations (area/speed tradeoffs)
- Behavioral simulation model in VHDL and Verilog



Family Support

ACT 2/1200XL, ACT 3, 3200DX, 42MX, 54SX, 54SX-A, eX, 500K, PA, Axcelerator

Description

The ACTgen binary counters are general purpose UP, DOWN, or UP/DOWN (direction) counters.

When the count value equals $2^{\text{width}}-1$, the signal *Tcnt* (terminal count), if used, is asserted high.

The counters are WIDTH bits wide and have 2^{width} states from "000...0" to "111...1". The counters are clocked on the rising (RISE) or falling (FALL) edge of the clock signal *Clock* (CLK_EDGE).

The *Clear* signal (CLR_POLARITY), active low or high, provides an asynchronous reset of the counter to "000...0". You may choose to not implement the reset function.

In the case of an Up/Down counter, the *Updown* signal controls whether the counter counts up (Updown = 1) or down (Updown = 0).

The counter could be loaded with *Data*. The *Sload* signal (LD_POLARITY), active high or low, provides a synchronous load

operation with respect to the clock signal *Clock*. You can choose to not implement this function.

The ACTgen counters have a count enable signal *Enable* (EN_POLARITY). *Enable* can be active high or low. When *Enable* is not active, the counter is disabled and the internal state is unchanged.

Table 4-1. Port Description

Port Name	Size	Type	Req./Opt.	Function
Data	WIDTH	input	Opt.	Counter load input
Aclr	1	input	Opt.	Asynchronous counter reset
Enable	1	input	Req.	Counter enable
Sload	1	input	Opt.	Synchronous counter load
Clock	1	input	Req.	Clock
Updown	1	input	Opt.	UP (Updown = 1), DOWN (Updown = 0)
Q	WIDTH	out-put	Req.	Counter output bus
Tcnt	1	out-put	Opt.	Terminal count (active high)

Table 4-2. Parameter Description

Parameter	Value	Function
WIDTH	2-32	Word length of Data and Q
DIRECTION	UP DOWN UPDOWN	Counter direction
CLR_POLARITY	0 1 2	Aclr can be active low, active high or not used
EN_POLARITY	0 1	Enable can be active low, active high

Table 4-2. Parameter Description (Continued)

Parameter	Value	Function
LD_POLARITY	0 1 2	Slod can be active low, active high or not used
CLK_EDGE	RISE FALL	
TCNT_POLARITY	1 2	Tcnt can be active high or not used

Table 4-3. Fan-in Control Parameters

Parameter	Value
CLR_FANIN	AUTO MANUAL
CLR_VAL	<val> [default value for AUTO is 8, 1 for MANUAL]
LD_FANIN	AUTO MANUAL
LD_VAL	<val> [default value for AUTO is 6, 1 for MANUAL]
CLK_FANIN	AUTO MANUAL
CLK_VAL	<val> [default value for AUTO is 8, 1 for MANUAL]

Table 4-4. Implementation Parameters

Parameter	Value	Description	Family
LPMTYPE	LPM_COUNTER	Counter category	
LPM_HINT	LLCNT	Prescaled model	All
	TLACNT	Register look ahead model	All
	FBCNT	Fast Balanced model	54SX, 54SX-A
	BCNT	Balanced model	All
	LECNT	Fast Enable Balanced	All
	COMPENT	Compact model	All
	RIPPLE	Ripple model	All

Table 4-5. Functional Description^a

Data	Aclr	Enable	Sload	Clock	Up down	Q _{n+1}	Tcnt n+1
X	0	X	X	X	X	0's	0
X	1	X	X	↑	X	Q _n	Q _{n+1} == 2 ^{width-1}
X	1	0	0	↑	X	Q _n	Q _{n+1} == 2 ^{width-1}
m	1	X	1	↑	X	m	Q _{n+1} == 2 ^{width-1}
X	1	1	0	↑	1	Q _n + 1	Q _{n+1} == 2 ^{width-1}
X	1	1	0	↑	0	Q _n - 1	Q _{n+1} == 2 ^{width-1}

a. Assume Aclr is active low, Enable is active high, Sload is active high, Clock is rising, Tcnt is active high

Implementations

This section describes the implementation of the Pre-Scaled Counter, Register Look Ahead Counter, Fast Balanced Counter and the Balanced Counter.

Pre-Scaled Counter

The pre-scaled counter achieves absolute maximum count and count enable performance by sacrificing synchronous load performance. This counter registers the two least significant bits and uses them as an enable for the upper bits. Count performance is limited only by the delay in the lower two bits and the enable path for the upper bits. Because the upper bits are only updated (enabled) every fourth cycle, they can accommodate more delay (up to one-fourth the clock frequency).

There are two limitations related to the use of the pre-scaled counter. The first is in analyzing the actual performance of the counter. The second is correctly performing data load functions; these two limitations are related. Two parameters must be measured to overcome these two limitations. The first parameter that must be measured is the worst internal delay inside the counter. The second parameter is the worst delay from Q0/Q1 to any upper bit. The minimum count period is then defined by the greater value of these two parameters.

The load function is a slave of the maximum internal path delay in the pre-scaled counter. The load function must be held for as many clock periods as required to exceed the maximum internal delay; this ensures that all internal nodes are settled and that correct count operation can be performed. This requirement can be waived if you can guarantee that 0's will always be loaded in Q0 and Q1 (resulting in only a single load cycle).

The count path in pre-scaled counters without Sload or Enable functions only have a single logic level for ACT 2/1200XL, ACT 3, 3200DX, 42MX 54SX, 54SX-A, and eX. All other combinations of pre-scaled counters have two logic levels in their count path. In these cases, given the two limitations mentioned previously related to the pre-scaled counter, use the Register Look Ahead or Fast Balanced counters.

Register Look Ahead Counter

This counter achieves the absolute maximum performance for the count, count enable, and synchronous load functions. The counter operates by registering intermediate count values providing "look-ahead" carry circuitry. As a result, this counter variation requires more flip-flops (sequential modules) than other counters.

Fast Balanced Counter

This counter is only available for the 54SX, 54SX-A, and eX families. It takes advantage of the architectural features of these families, including flip-flops with built-in enable and more powerful combinatorial cells. Using these two features, it is possible to build a very fast and compact binary counter without using "look-ahead" carry circuitry. This counter should be preferred over all the others available for this family.

Balanced Counter

This counter achieves high performance for both the count and enable functions using standard design approaches. Module count performance is sacrificed to maintain high speed. This counter is the result of the performance balance between the count/enable functions and the balance between the performance/cost in building this architecture. This counter should address most counter needs for the ACT 1, ACT 2/1200XL, ACT 3, 3200DX, 40MX and 42MX families.

Fast Enable Counter

This compact counter is fully synchronous and has higher performance than the ripple counter. However, this counter should only be used in moderate performance applications, especially for large widths.

Ripple Counter

The ripple counter is an asynchronous counter where the Q of each bit feeds the clock of the next bit; performance is sacrificed to build this variation. However, the ripple counter uses the least amount of logic resources. This counter should only be used in very low-performance applications or for very small counters.

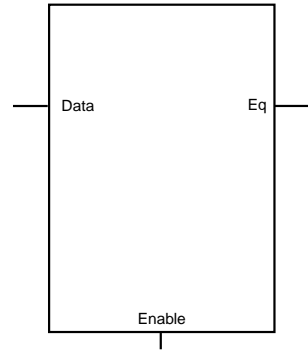
Because of the asynchronous nature of the count function, this counter does not have a synchronous load function.

Decoder

Decoder

Features

- Parameterized output size (DECODES)
- Behavioral simulation model in VHDL and Verilog



Family Support

ACT 1, ACT 2/1200XL, ACT 3, 3200DX, 40 MX, 42MX, 54SX, 54SX-A, eX, 500K, PA, Accelerator

Description

Table 5-1. Port Description

Port Name	Size	Type	Req/Opt	Function
Data	decln ^a	input	Req.	Input data
Enable	1	input	Opt.	Enable
Eq	DECODES	output	Req.	output

a. decln is an integer and $\log_2(\text{DECODES}) = \text{decln}$ if $\log_2(\text{DECODES}) = \text{decln}$, else Data is a bus.

Table 5-2. Parameter Description

Parameter	Value	Function
DECODES	2-32	Word length of Eq
EN_POLARITY	0 1 2	Enable polarity (active high, active low or not used)
EQ_POLARITY	0 1	Eq polarity (active low or active high)

Table 5-3. Functional Description^a

Data	Enable	Eq
X	0	0's
m	1	dec ^b (m)==decodes-1 && ^c dec(m)==decodes-2 && ... && dec(m)==0

- a. Assume enable is active low and Eq is active high.
- b. dec(m) defines the decimal value of m
- c. && indicates bity concatenation

IOs

Input Buffers

Features

- Parameterized for data width
- Choice of data buffers (Regular, Special, Pull-Up, Pull-Down)

Family support

ACT2/1200XL, ACT3, 3200DX, 42MX, 54SX, 54SX-A, eX, 500K, PA, Axcelerator

Description

ACTgen generates different types of Input Buffers with specified data width.

Table 6-1. Port Description

Port Name	Size	Type	Req/Opt	Function
PAD	WIDTH	Input	Req.	Input Data
PADP (LVDS and LVPECL, Axcelerator Only)	WIDTH	Input	Req.	Input Data for LVDS and LVPECL
PADN(LVDS and LVPECL, Axcelerator Only)	WIDTH	Input	Req.	Input Data for LVDS and LVPECL
Y	WIDTH	Output	Req.	Output Data

Table 6-2. Parameter Description

Parameter	Value	Function
WIDTH	1-99 (Limit may vary depending on the family)	Data Width

Table 6-2. Parameter Description (Continued)

Parameter	Value	Function
PULLUP (Flash Only)	NO / YES	Choice of Pull-up version
VOLT (Flash Only)	0,1,2	Choice of different voltage levels. 3.3v, 2.5v or 2.5v(Low Power)
TYPE (Axcelerator Only)	REG, LVCMOS25, LVCMOS18, LVCMOS15, PCI, PCIX, GTLP25, GTLP33, HSTL_I, HSTL_II, SSTL3_I, SSTL3_II, SSTL2_I, SSTL2_II, LVDS, LVPECL, LVCMOS25U, LVCMOS25D, LVCMOS18U, LVCMOS18D, LVCMOS15U, LVCMOS15D.	Type of Buffer

Table 6-3. Implementation Parameters

Parameter	Value	Description
LPMTYPE	LPM_IO/ LPM_IB_IO (Flash)	Input Buffers
LPM_HINT	INBUF / IB (Flash)	Regular Input Buffers
	INBUF_SP (Axcelerator Only)	Special Input Buffers
	INBUF_PU (Axcelerator Only)	Pull-up Input Buffers
	INBUF_PD (Axcelerator Only)	Pull-down Input Buffers

Output Buffers

Features

- Parameterized for data width
- Choice of buffers (Regular, Special)

Family support

ACT2/1200XL, ACT3, 3200DX, 42MX, 54SX, 54SX-A, eX, 500K, PA, Axcelerator

Description

ACTgen generates different types of Output Buffers with specified data width.

Table 6-4. Port Description

Port Name	Size	Type	Req/Opt	Function
Data/A (Flash)	WIDTH	Input	Req.	Input Data
PAD	WIDTH	Output	Req.	Output Data

Table 6-5. Parameter Description

Parameter	Value	Function
WIDTH	1-99 (Limit may vary depending on the family)	Data Width
VOLT (Flash Only)	0,1,2,3,4,5	Choice of different voltage levels. 3.3v(PCI), 3.3v & Low Strength, 2.5v & High Strength, 2.5v & Low Strength, 2.5v(Low Power) & High Strength, or 2.5v(Low Power) & Low Strength

Table 6-5. Parameter Description (Continued)

Parameter	Value	Function
SLEW	0,1,2	Choice of different slew rates. Low, Normal or High
TYPE (Axcelerator Only)	REG, S_8, S_12, S_16, S_24, F_8, F_12, F_16, F_24, LVCOS25, LVCOS18, LVCOS15, PCI, PCIX, GTLP25, GTLP33, HSTL_I, HSTL_II, SSTL3_I, SSTL3_II, SSTL2_I, SSTL2_II, LVDS, LVPECL.	Type of Buffer Note : "S" in S_* denotes Low Slew Rate and "F" in F_* denotes High Slew Rate. Also 8,12,16,24 denote Output drive strengths of 1x, 2x, 3x, 4x respectively

Table 6-6. Implementation Parameters

Parameter	Value	Description
LPMTYPE	LPM_IO / LPM_OB_IO (Flash)	Output Buffers
LPM_HINT	OUTBUF / OB (Flash)	Regular Output Buffers
	OUTBUF_SP (Axcelerator Only)	Special Output Buffers

Bi-Directional Buffers

Features

- Parameterized for data width
- Choice of buffers (Regular, Special, Pull-up, Pull-down)

Family support

ACT2/1200XL, ACT3, 3200DX, 42MX, 54SX, 54SX-A, eX, 500K, PA, Axcelerator

Description

ACTgen generates different types of Input Buffers with specified data width.

Table 6-7. Port Description

Port Name	Size	Type	Req/Opt	Function
PAD	WIDTH	Inout	Req.	Inout Data
Data / A (Flash)	WIDTH	Input	Req.	Input Data
Trien / ENABLE (Flash)	1	Input	Req.	Enable
Y	WIDTH	Output	Req.	Output Data

Table 6-8. Parameter Description

Parameter	Value	Function
WIDTH	1-99 (Limit may vary depending on the family)	Data Width

Table 6-8. Parameter Description (Continued)

Parameter	Value	Function
VOLT (Flash Only)	0,1,2,3,4,5	Choice of different voltage levels. 3.3v(PCI), 3.3v & Low Strength, 2.5v & High Strength, 2.5v & Low Strength, 2.5v(Low Power) & High Strength, or 2.5v(Low Power) & Low Strength
SLEW (Flash Only)	0,1,2	Choice of the slew rates: Low, Normal, or High
PULLUP	NO / YES	Choice of Pull up version
TRIEN_POLARITY / EN_POLARITY (Flash)	0,1	Enable Polarity
TYPE (Axcelerator Only)	REG, S_8, S_12, S_16, S_24, F_8, F_12, F_16, F_24, LVC MOS25, LVC MOS18, LVC MOS15, PCI, PCIX, GTLP25, GTLP33, S_8U, S_12U, S_16U, S_24U, F_8U, F_12U, F_16U, F_24U, S_8D, S_12D, S_16D, S_24D, F_8D, F_12D, F_16D, F_24D, LVC MOS25U, LVC MOS25D, LVC MOS18U, LVC MOS18D, LVC MOS15U, LVC MOS15D, HSTL_I, SSTL2_I, SSTL2_II, SSTL3_I, SSTL3_II	Type of Buffer. Note : "S" in S_* denotes Low Slew Rate and "F" in F_* denotes High Slew Rate. Also 8,12,16,24 denote Output drive strengths of 1x, 2x, 3x, 4x respectively

Table 6-9. Implementation Parameters

Parameter	Value	Function
LPMTYPE	LPM_IO / LPM_IOB_IO	Bi-directional Buffers

Table 6-9. Implementation Parameters (Continued)

Parameter	Value	Function
LPM_HINT	BIBUF / IOB, GLMIOB (Flash)	Regular Bi-directional Buffers / IO pad with Global Connection, Two Multiplexed Pads & Global Connection (Flash)
	BIBUF_SP (Axcelerator Only)	Special Bi-directional Buffers
	BIBUF_PU (Axcelerator Only)	Pull-up Bi-directional Buffers
	BIBUF_PD (Axcelerator Only)	Pull-down Bi-directional Buffers

Tri-State Buffers

Features

- Parameterized for data width
- Choice of buffers (Regular, Special, Pull-up, Pull-down)

Family support

ACT2/1200XL, ACT3, 3200DX, 42MX, 54SX, 54SX-A, eX, 500K, PA, Axcelerator

Description

ACTgen generates different types of Input Buffers with specified data width.

Table 6-10. Port Description

Port Name	Size	Type	Req/Opt	Function
PAD	WIDTH	Inout	Req.	Inout Data
Data / A (Flash)	WIDTH	Input	Req.	Input Data
Trien / ENABLE (Flash)	1	Input	Req.	Enable

Table 6-11. Parameter Description

Parameter	Value	Function
WIDTH	1-99 (Limit may vary depending on the family)	Data Width
VOLT (Flash Only)	0,1,2,3,4,5	Choice of different voltage levels. 3.3v (PCI), 3.3v & Low Strength, 2.5v & High Strength, 2.5v & Low Strength, 2.5v (Low Power) & High Strength, or 2.5v (Low Power) & Low Strength

Table 6-11. Parameter Description (Continued)

Parameter	Value	Function
SLEW (Flash Only)	0,1,2	Choice of the slew rates: Low, Normal, or High
TRIEN_POLARITY / EN_POLARITY (Flash)	0,1	Enable Polarity
TYPE (Axcelerator Only)	REG, S_8, S_12, S_16, S_24, F_8, F_12, F_16, F_24, LVCOS25, LVCOS18, LVCOS15, PCI, PCIX, GTLP25, GTLP33, S_8U, S_12U, S_16U, S_24U, F_8U, F_12U, F_16U, F_24U, S_8D, S_12D, S_16D, S_24D, F_8D, F_12D, F_16D, F_24D, LVCOS25U, LVCOS25D, LVCOS18U, LVCOS18D, LVCOS15U, LVCOS15D, HSTL_I, SSTL2_I, SSTL2_II, SSTL3_I, SSTL3_II	Type of Buffer. Note : "S" in S_* denotes Low Slew Rage and "F" in F_* denotes High Slew Rate. Also 8,12,16,24 denote Output drive strengths of 1x, 2x, 3x, 4x respectively

Table 6-12. Implementation Parameters

Parameter	Value	Function
LPMTYPE	LPM_IO / LPM_OB_IO	Tri-State buffers
LPM_HINT	TRIBUFF / OTB (Flash)	Regular Tri-State Buffers
	TRIBUFF_SP (Axcelerator Only)	Special Tri-State Buffers
	TRIBUFF_PU (Axcelerator Only)	Pull-up Tri-State Buffers
	TRIBUFF_PD (Axcelerator Only)	Pull-down Tri-State Buffers

Global Buffers

Features

- Parameterized for data width
- Choice of buffers (Regular, Multiplexed, Internal Driver)

Family support

500K, PA

Description

ACTgen generates different types of Input Buffers with specified data width.

Table 6-13. Port Description

Port Name	Size	Type	Req/Opt	Function
PAD	WIDTH	Input	Req.	Inout Data
A	WIDTH	Input	Req.	Input Data
ENABLE	1	Input	Req.	Enable
GL	1	Output	Req.	Output Data
Y	WIDTH	Output	Req.	Output Data

Table 6-14. Parameter Description

Parameter	Value	Function
WIDTH	1-499 (Limit may vary depending on the type)	Data Width
VOLT	0,1,2	Choice of different voltage levels: 3.3V, 2.5V, 2.5V (Low Power)
PULLUP	NO / YES	Choice of Pull-up version

Table 6-15. Implementation Parameters

Parameter	Value	Function
LPMTYPE	LPM_GL_IO	All buffers
LPM_HINT	GL	Standard Global buffer
	GLIB	Standard Global buffer w/ an Input bufer
	GLMIB	Standard Global buffer with Multiplexed Input buffer
	GLINT	Global internal driver

PECL Global Buffers

Features

- Parameterized for data width
- Choice of buffers (Direct to Global, Multiplexed with Internal Signal)

Family support

PA

Description

ACTgen generates different types of Input Buffers with specified data width.

Table 6-16. Port Description

Port Name	Size	Type	Req/Opt	Function
PECLIN	WIDTH	Input	Req.	Input Data
PECLREF	WIDTH	Input	Req.	Reference Data
A	WIDTH	Input	Req.	Input Data
ENABLE	1	Input	Req.	Enable
GL	WIDTH	Output	Req.	Output Data
Y	WIDTH	Output	Req.	Output Data

Table 6-17. Parameter Description

Parameter	Value	Function
WIDTH	1-2	Data Width

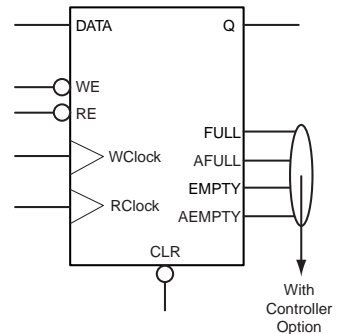
Table 6-18. Implementation Parameters

Parameter	Value	Function
LPMTYPE	LPM_GLPE_IO	PECL Global buffers
LPM_HINT	GLPE	Direct to Global
	GLPEMIB	Multiplexed with Internal Signal

PerPin FIFO

Features

- Parameterized for Data Width and almost Full/Empty Values.
- Choice of generating with Input or Output pads
- Choice of generating with or without a Controller
- Choice of Dedicated or Core Logic controller
- Asynchronous, or synchronous write
- Rising edge triggered or level sensitive
- Supported netlist formats: VHDL and Verilog



Family support

Axcelerator

Description

ACTgen can generate Input or Output PerPin FIFOs with or without a Controller parameterized depending on the 'Width' parameter.

When generating PerPin FIFOs with a Controller, you can specify almost full (AfVal) and almost empty (AeVal) values in the GUI. You can choose two types of controllers: either an Embedded PerPin FIFO controller or one that is generated using core logic.

The maximum number of PerPin FIFOs that a single Embedded controller can control is 26. ACTgen restricts generation of PerPin FIFOs with Embedded Controllers to a Max. Width of 26. The number of PerPin FIFOs that can be controlled using the core logic controller depends entirely on the available resources and PerPin FIFOs in the chip, hence there is no restriction on the core logic controller option. AeVal and AfVal accept any value between 1 and 63.

An I/O FIFO Embedded controller can support upto 26 PerPin FIFOs depending on the die size and the location of the PerPin FIFO on the die.

Please note that if more than 26 PerPin FIFOs are to be used, there will be 2 separate set of flags from each Embedded PerPin FIFO controller.

Table 6-19. Port Description

Port Name	Size	Type	Req/Opt	Function
DATA	WIDTH	Input	Req.	Input Data
Q	WIDTH	Output	Req.	Output Data
WE	1	Input	Req.	Write Enable
RE	1	Input	Req.	Read Enable
Rclock	1	Input	Req.	Read Clock
WClock	1	Input	Req.	Write Clock
CLR	1	Input	Req.	Clear Signal
FULL	1	Output	Opt.	Full Flag
AFULL	1	Output	Opt.	Almost Full Flag
EMPTY	1	Output	Opt.	Empty Flag
AEMPTY	1	Output	Opt.	Almost Empty Flag

Table 6-20. Parameter Description

Parameter	Value	Function
WIDTH	2-26	Data Width with Dedicated Controller
	1-128	Data Width without a Controller or with Core Logic Controller
AEVAL	0-62	For Almost Empty Value Flag
AFVAL	1-63	For Almost Full Value Flag

Table 6-20. Parameter Description (Continued)

Parameter	Value	Function
CTL	0,1	Dedicated or Core Logic Controller
PORT*	<Port Names>	Optional - Can be used if port name needs to be changed

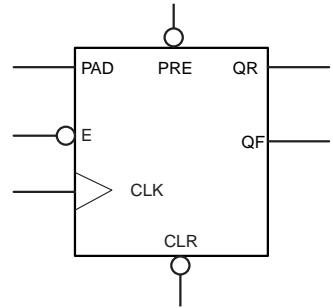
Table 6-21. Implementation Parameters

Parameter	Value	Function
LPMTYPE	LPM_IOFIFO_I_NC	Input IOFIFO with no Controller
	LPM_IOFIFO_O_NC	Output IOFIFO with no Controller
	LPM_IOFIFO_I_C	Input IOFIFO with Controller
	LPM_IOFIFO_O_C	Output IOFIFO with Controller
LPM_HINT	IR, ISP, IPU, IPD, ILV	Input IOFIFO - With Regular, Special, Pull up, Pull down input buffers
	OR_NC, OSP_NC, OLV_NC	Output IOFIFO - With Regular, Special, LVDS/LVPECL output buffers
	IR_C, ISP_C, IPU_C, IPD_C, ILV_C	Input IOFIFO - With Regular, Special, Pull up, Pull down input buffers
	OR_C, OSP_C, OLV_C	Output IOFIFO - With Regular, Special, LVDS/LVPECL output buffers

Dual Data Rate Register

Features

- Parameterized for Data Width and almost Full/Empty Values
- Choice of Input buffers



Family support

Axcelerator

Description

ACTgen can generate Dual Data Rate Registers parameterized for a specific Data Width and with a choice of the type of Input Buffers.

Table 6-22. Port Description

Port Name	Size	Type	Req/Opt	Function
PAD	WIDTH	Input	Req.	Input Data
QR	WIDTH	Output	Req.	Output Data
QF	WIDTH	Output	Req.	Ouput Data
E	1	Input	Req.	Enable
CLK	1	Input	Req.	Clock
CLR	1	Input	Req.	Clear
PRE	1	Output	Req.	Preset

Table 6-23. Parameter Description

Parameter	Value	Function
WIDTH	1-128	Data Width
DDR	0,1	0 for DDR Register and 1 for DDR FIFO

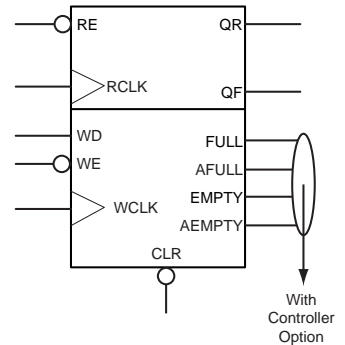
Table 6-24. Implementation Parameters

Parameter	Value	Function
LPMTYPE	LPM_DDR	DDR Register / FIFO category
LPM_HINT	DDR	DDR Register with Regular Input buffers
	DDR_SP	DDR Register with Special Input buffers
	DDR_PU	DDR Register with Pull-up Input buffers
	DDR_PD	DDR Register with Pull-down Input buffers

Dual Data Rate FIFO

Features

- Parameterized for Data Width
- Choice of Input buffers



Family support

Axcelerator

Description

ACTgen can generate Dual Data Rate FIFOs parameterized for specified Data Width and with a choice of Input Buffers.

Table 6-25. Port Description

Port Name	Size	Type	Req/Opt	Function
PAD	WIDTH	Input	Req.	Input Data
QR	WIDTH	Output	Req.	Output Data
QF	WIDTH	Output	Req.	Output Data
REN	1	Input	Req.	Read Enable
WEN	1	Input	Req.	Write Enable
RCLK	1	Input	Req.	Read Clock
WCLK	1	Input	Req.	Write Clock
CLR	1	Input	Req.	Clear
FULL	1	Input	Opt.	Full Flag
AFULL	1	Input	Opt.	Almost Full Flag
EMPTY	1	Input	Opt.	Empty Flag

Table 6-25. Port Description (Continued)

Port Name	Size	Type	Req/Opt	Function
AEMPTY	1	Input	Req.	Almost Empty Flag

Table 6-26. Parameter Description

Parameter	Value	Function
WIDTH	2-26	Data Width with Dedicated Controller
	1-128	Data Width without a Controller or with Core Logic Controller
AEVAL	1-63	For Almost Empty Value Flag
AFVAL	1-63	For Almost Full Value Flag
CTL	0,1	Dedicated or Core Logic Controller
DDR	1	1 for DDR FIFO

Table 6-27. Implementation Parameters

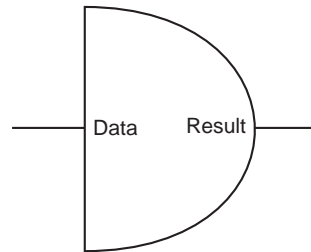
Parameter	Value	Function
LPMTYPE	LPM_DDR	DDR FIFO category
LPM_HINT	DDRF/DDR	DDR FIFO with Regular Input buffers; note that the 'F' denotes 'with controller'
	DDRF_SP/DDR_SP	DDR_FIFO with Special Input buffers
	DDRF_PU/DDR_PU	DDR FIFO with Pull-up Input buffers
	DDRF_PD/DDR_PD	DDR FIFO with Pull-down Input buffers

Logic

Logic (AND)

Features

- Parameterized AND size
- Behavioral simulation model in VHDL and Verilog



Family Support

ACT 1, ACT 2/1200XL, ACT 3, 3200DX, 40MX, 42MX, 54SX, 54SX-A, eX, 500K, PA

Description

Table 7-1. Port Description

Port Name	Size	Type	Req/Opt	Function
Data	SIZE	input	Req.	Input data
Result	1	output	Req.	output

Table 7-2. Parameter Description

Parameter	Value	Function
SIZE	2-64	Word length of data
RESULT_POLARITY	0 1	Output polarity (active low or active high)

Table 7-3. Functional Description^a

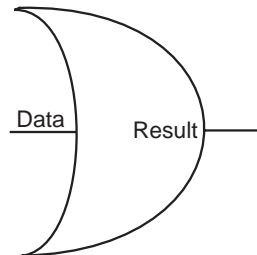
Data	Result
m	m[0] and m[1] and ... and m[SIZE-1]

a. result is active; highresult is active high

Logic (OR)

Features

- Parameterized OR size
- Behavioral simulation model in VHDL and Verilog



Family Support

ACT 1, ACT 2/1200XL, ACT 3, 3200DX, 40MX, 42MX, 54SX, 54SX-A, eX, 500K, PA, Axcelerator

Description

Table 7-4. Port Description

Port Name	Size	Type	Req/Opt	Function
Data	SIZE	input	Req.	input data
Result	1	output	Req.	output

Table 7-5. Parameter Description

Parameter	Value	Function
SIZE	2-64	Word length of data
RESULT_POLARITY	0 1	Output polarity (active low or active high)

Table 7-6. Functional Description^a

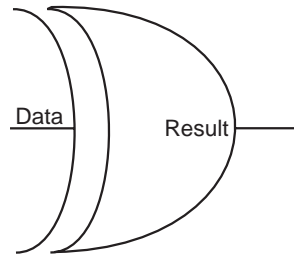
Data	Result
m	m[0] or m[1] or ... or m[SIZE-1]

a. result is active high

Logic (XOR)

Features

- Parameterized XOR size
- Behavioral simulation model in VHDL and Verilog



Family Support

ACT 1, ACT 2/1200XL, ACT 3, 3200DX, 40MX, 42MX, 54SX, 54SX-A, eX, 500K, PA, Axcelerator

Description

Table 7-7. Port Description

Port Name	Size	Type	Req/Opt	Function
Data	SIZE	input	Req.	input data
Result	1	output	Req.	output

Table 7-8. Parameter Description

Parameter	Value	Function
SIZE	2-64	Word length of data
RESULT_POLARITY	0 1	Output polarity (active low or active high)

Table 7-9. Functional Description^a

Data	Result
m	m[0] xor m[1] xor ... xor m[SIZE-1]

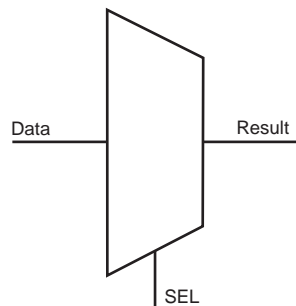
a. result is active high

Multiplexer

Multiplexer

Features

- Parameterized word length
- Parameterized multiplexer input number
- Behavioral simulation model in VHDL and Verilog



Family Support

ACT 1, ACT 2/1200XL, ACT 3, 3200DX, 40MX, 42MX, 54SX, 54SX-A, eX, 500K, PA, Axcelerator

Description

Table 8-1. Port Description

Port Name	Size	Type	Req/Opt	Function
Data _{0_port}	WIDTH	Input	Req.	Input data
Data _{1_port}	WIDTH	Input	Req.	Input data
...
Data _{SIZE-1_port}	WIDTH	Input	Req.	Input data
Sel ₀	1	Input	Req.	Select line
Sel ₁	1	Input	Req.	Select line
...
Sel _{SIZELN-1}	1	Input	Req.	Select line
Result	WIDTH	Output	Req.	output

Table 8-2. Parameter Description

Parameter	Family	Value	Function
WIDTH	APA, 500K	1-48	Word length of Data
	All Others	1-32	
SIZE	All	2-32	Number of data inputs

Table 8-3. Functional Description

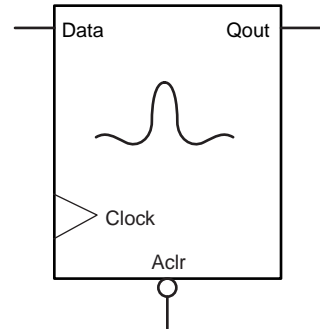
Data₀	Data₁	...	Data_{SIZE-1}	Sel₀	Sel₁	...	Sel_{SIZELN-1}	Result
m ₀	m ₁	...	m _{SIZE-1}	0	0	...	0	m ₀
m ₀	m ₁	...	m _{SIZE-1}	1	0	...	0	m ₁
...
m ₀	m ₁	...	m _{SIZE-1}	1	1	...	1	m _{SIZE-1}

Minicores

FIR Filter

Features

- Variable input data width:
2 to 16 bit input data
- Variable output data width:
3 to 64 bit output data
- Support for up to 64 taps
- Support of symmetric coefficients
- Optional IO insertion
- Optional registers for filter in-
and output
- Verilog RTL model for simulation
- VHDL RTL model for synthesis¹



Family support

54SX, 54SX-A, 500K, PA, Axcelerate

Design Flow

An overview of the design flow required for the FIR filter is shown in Figure 9-1.

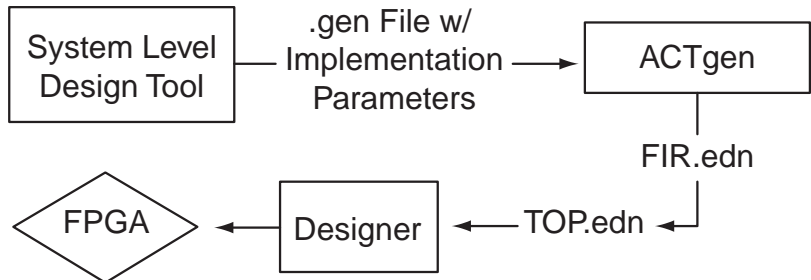


Figure 9-1. FIR Filter Design Flow

1. Synthesized filter designs are usually slower, but more compact.

Generate the filter coefficients and other implementation parameters using a system level design tool (like Matlab). This information is made available for ACTgen in form of a <design>.gen file. .

From that point on it follows the regular design flow as described in the *Actel Quick Start Guide*.

Description

The ACTgen FIR-filter macro supports symmetric, high-speed, parallel FIR-filters with up to 64 time taps.

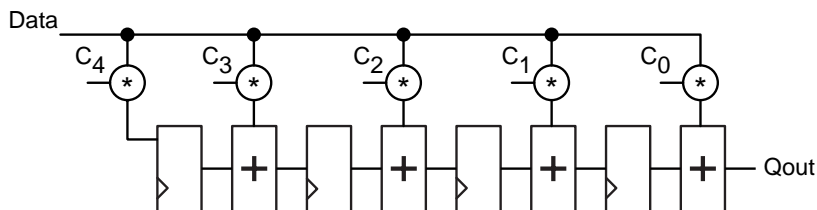


Figure 9-2. Tap Transposed from FIR Filter

The architecture is a variation of the "transposed form" of the FIR-filter as shown in Figure 9-2, making use of ACTgen's signed Constant Multiplier. The data is assumed to be signed. Data- and coefficient widths are the same (D_WIDTH).

Figure 9-2 suggests that coefficients with a value of 0 are desirable for this type of architecture, since they will not generate any multiplication hardware. "Halfband" filters are trying to maximize the number of 0-coefficients and might result in significant area savings over regular filters of the same order .

Table 9-1. Port Description

Port Name	Size	Type	Req/Opt?	Function
Data	D_WIDTH	input	Req.	Input Data
Clock	1	input	Req.	Filter clock
Aclr	1	input	Opt.	Asynchronous Clear
Qout	O_WIDTH	input	Req.	Filter output = $\sum \chi^i * \delta t$

Table 9-2. Parameter Description

Parameter	Value	Function
D_WIDTH	3 .. 16	Input Data Width
O_WIDTH	3 .. 64	Output Data Width
TAPS	3 .. 64	Number of time taps
CLK_EDGE	RISE FALL	Clock sensitivity
CLR_POLA	2 0 1	None, active high, active low
PREC		Internal precision
INSERT_PAD	NO YES	Pad insertion
INSERT_IOREG	NO YES	Register inputs and outputs
C1 ... C32	0 .. 2C_WIDTH	2's complement coefficients (integers)

The output width O_WIDTH has no impact on the filter size. Internally, ACTgen always uses the maximum precision filter, unless specified otherwise using the internal precision parameter PREC. If you set O_WIDTH to 0, ACTgen use the maximum output resolution (MAX_RES). For values of O_WIDTH greater than MAX_RES the result is sign-extended. For values of

O_WIDTH smaller than MAX_RES ACTgen cuts some of the lower bits. An upper estimate for MAX_RES is

$$\text{MAX_RES} \leq \times \text{D_WIDTH} + \lceil \log_2(\text{TAPS}) \rceil$$

For example a 12-tap filter with 8-bit data and coefficients might yield up to (8 + 8 + 4) bit = 20 bit output resolution.

The coefficients C1 to C16 are positive integers, which will be interpreted as two's complement numbers. That means 0 to $2^{C_WIDTH-1}-1$ are considered positive, and $2^{C_WIDTH-1}$ to $2^{C_WIDTH-1}$ will be interpreted as negative numbers.

Only unique coefficients need to be specified properly, all other coefficients need to be set to any value, e.g. "0". An N-tap filter requires $(N / 2) + (N \% 2)$ unique coefficients.

Only unique coefficients need to be specified properly, all other coefficients need to be set to any value, e.g. "0". An N-tap filter requires $(N / 2) + (N \% 2)$ unique coefficients.

Table 9-3. Parameter Rules

Family	Variation	Parameter rules
All	FIR2	PREC >= O_WIDTH
54SX, 54SX-A	All	O_WIDTH <= 32
54SX, 54SX-A	All	TAPS <= 32

Table 9-4. Implementation Parameters

Parameter	Value	Description
LPMTYPE	LPM_FIR	FIR-filter category
LPM_HINT	FIR1	Basic Options
	FIR2	Advanced Options

Table 9-5. Internal Precision (PREC)

Variation	Value	Description
Basic Options	97, 0	Maximum output resolution, same as O_WIDTH
Advanced Options	PREC	See parameter rules

Internal Precision (PREC) specifies the minimum number of bits

- For the time tab registers
- From multiplier outputs kept for further processing
- From adder outputs kept for further processing

Currently the RTL-model does not reflect the PREC parameter, so there may be differences between the simulated output of the structural netlist and the RTL-model for the low-order bits.

Integer Values Coefficient File

The Integer Values Coefficient File consists of the conversion of the quantized coefficients into regular integers. This file can be directly imported into ACTgen.

Table 9-6. Sample Integer Coefficient File

2048
2037
0
48
2048
1892
0
630
1026
630
0
1892
2048
48
0
2037
2048

CRC Minicore

Features

- General-purpose cyclic redundancy Code generator
- Fully synchronous, single clock operation (over 100 MHz for many configurations)
- Parameterized arbitrary polynomial (from 1 up to 64-bit)
- Parameterized data input width
- Parameterized register initialization
- Parameterized bit and byte ordering
- Parameterized bit pattern for CRC output XOR with

Family support

SX, Axcelerator

Description

CRC Minicore is a universal Cyclic Redundancy Check (CRC) Polynomial generator that validates data frames and ensures data integrity during data transmission.

To meet different application requirements, CRC minicore provides many different configuration parameters. These parameters include Data Width, Register Initialization, and CRC output data characteristics.

- Data width specifies the number of bits upon which CRC Minicore generates the CRC value in a single clock cycle. For example, 8 bit data width CRC32 performs CRC calculations on 8 bit per clock.
- Register Initialization provides the seed value for CRC generation.
- CRC data characteristics parameters provide designers great flexibility of CRC data characteristics.

Thus, the parameter of CRC output XOR bit pattern controls how the CRC value is inverted before it is injected into the data stream. Although CRC Minicore generator (ACTgen) provides seven commonly used CRC polynomials, it does provide polynomial parameters (size and value) for any other generic CRC creation. The polynomial size can span from 1-bit to 64-bit.

Table 9-7. XOROUT Configuration

XOROUT	Description
1	All bits are not inverted (00000000) xor CRC
2	All bits are inverted (..FFFFFF) xor CRC
3	Even bits are inverted, odd bits are not inverted (...10101010) xor CRC
4	Odd bits are inverted, even bits are not inverted (...01010101) xor CRC

Table 9-8. CRC Operation Control

rst_n	init_n	enable	Description
0	x	x	A synchronous reset, set to initial register value
1	0	x	Synchronous initialize
1	1	0	Disable, register maintain the current value
1	1	1	Generate CRC on the input data

Table 9-9. Port Description

Port Name	width	Description
CLK	1	Clock port
rst_n	1	Asynchronous reset
init_n	1	Synchronous load CRC value
enable	1	CRC enable/disable control
data_in	Data_width	Input data word
CRC_in	Poly_size	CRC value to be load in

Table 9-9. Port Description (Continued)

Port Name	width	Description
CRC_out	Poly_size	Generated CRC value

Table 9-10. Standard CRC Generator Parameters - Description

Name	Poly_width	Poly_value (HEX)	initial	xorout
CRC32	32	04C11DB7	FFFF..	FFFFFF...
CRC16/ARC	16	1005	FFFF..	FFFF...
CCIT CRC16	16	1021	FFFF....	FFFFFF....
CANBUS	16	4599	FFFFE..	FFFFE...
ATM CRC10	10	233	FFFFE..	FFFFE...
ATM CRC8	8	7	FFFF....	FFFF.....
kermit	16	8408	000000...	00000000

PLLs

PLL for ProASIC^{PLUS}

You can use ACTgen to configure PLLs according to your needs, and generate a netlist that has a PLL primitive instantiated with the correct specified configuration

Features

- Clock Delay Adjustment
- Clock Frequency Synthesis
- Clock Phase Shifting

Family Support

PA

Parameter Description

Table 10-1. Parameter Description

Parameter	Value	Function
CLKS	1 2	Primary or Both outputs
FIN	1.5 - 240 MHz	Input Frequency
PRIMFREQ	1.5 - 240 MHz	Primary Output Frequency
PDELAYVAL	0 - 8 ns	Primary Delay value, in steps of .25 ns
PDELAYSIGN	0 1	Positive or Negative primary delay
PPHASESHIFT	0 90 180 270	Primary Phase-shift
PBYPASS	0 1	No Yes. Primary Bypass
FIN2	1.5 - 240 MHz	Secondary Input Frequency. Only if PLL is bypassed for Secondary Output
SECFREQ	1.5 - 240 MHz	Primary Output Frequency
SDELAYVAL	0 - 8 ns	Primary Delay value, in steps of 0.25 ns ^a
SDELAYSIGN	0 1	Positive or Negative primary delay
SPHASESHIFT	0 90 180 270	Primary Phase-shift
SBYPASS	0 1	No Yes. Primary Bypass

Table 10-1. Parameter Description (Continued)

Parameter	Value	Function
FB	Internal Deskewed External	Feedback
CONF	STATIC DYNAMIC	Configuration

a. In the GUI, the delay is entered directly as a value between -3.75 and +3.75 without breaking it into sign and value

Summary of the menu items available when you generate a PLL for ProASIC^{PLUS}.

Configuration - Dynamic or Static Configuration

In dynamic mode, designers are able to set all the configuration parameters using either the external JTAG port or an internally-defined serial interface. The dynamic-mode PLL can be switched to static mode during operation by just changing a mode selection bit. This way you can have one stable static configuration, yet for selected sequences of events, you can switch to dynamic mode and run the clock at a different frequency if required. For the Dynamic mode, ACTgen is used to specify a stable default configuration.

Input Clock Frequency - Floating point value between 6.0 and 240 MHz

Primary Clock Frequency - Floating point value between 6.0 and 240 MHz. If the specified frequency cannot be achieved, the closest approximate frequency is provided. There are some restrictions on the possible values of this frequency even in the specified range, based on the PLLCORE limitations. ACTgen takes all these limitations into consideration when generating a PLL. If the specified frequency cannot be achieved, the closest approximate frequency will be provided..

Bypass PLL in Primary Clock - Selecting this checkbox bypasses the PLL for the primary clock. This feature enables you to bypass the PLLCORE functionality and use the surrounding divider and delay elements. When the PLL is bypassed, the primary clock frequency must be equal to or be 1/2, 1/3 or 1/4 of input frequency, as only a divider is available in the output path.

Primary Clock Phase Shift - Supports 4 values 0, 90, 180, 270 degrees. Not valid when PLL is bypassed for primary clock. The secondary clock cannot be phase-shifted.

Primary Clock Delay - This is a floating point between -4.0 and 8.0 with increments of 0.25. When PLL is bypassed for primary clock, only 0, 0.25, 0.5 and 4 ns are valid delays.

Secondary Clock Input Frequency - Floating point value between 1.5 and 240 MHz. This is valid only when secondary clock is selected and PLL is bypassed.

Secondary Clock Output Frequency - Floating point value between 1.5 and 240 MHz. This is valid only when secondary clock is selected. If the specified value cannot be achieved, the closest approximate frequency will be provided.

Bypass PLL in Secondary clock - Selecting this checkbox bypasses the PLL for secondary clock. When the PLL is bypassed, the secondary clock frequency must be equal to or be 1/2, 1/3 or 1/4 of secondary input frequency. This feature allows the user to bypass the PLLCORE functionality and use the surrounding divider and delay elements.

Secondary Clock Delay - This is a floating point between -4.0 and 8.0 with increments of 0.25. When PLL is bypassed for secondary clock, only 0, 0.25, 0.5 and 4 ns are the valid delays.

Feedback - A radio button to select between Internal, External and Deskewed feedback.

The clock-conditioning circuitry enables you to implement the feedback clock signal using either the output of the PLL, an internally generated clock, or an external clock. When external feedback is selected, an additional port EXTFB is made available to the user to drive the feedback. The internal feedback signal can be further delayed by a fixed amount designed to emulate the delay through the chip's clock tree. This allows for clock-line de-skewing operations. This

delay is included in the feedback path when deskewed feedback is chosen. This value is dependent on the device you are using.

Table 10-2. Port Description

Name	Size	Type	Req/Opt	Function
GLA	1	Output	Opt	Secondary clock output
GLB	1	Output	Req	Primary clock output
LOCK	1	Output	Req	PLL Lock
SDOUT	1	Output	Req	Output of serial interface shift register
CLK	1	Input	Req	Input clock for primary clock
CLKA	1	Input	Opt	Input clock for secondary clock. Valid only in Bypass Mode
EXTFB	1	Input	Opt	External Feedback
SCLK	1	Input	Opt	Shift Clock (Only Dynamic Mode)
SSHIFT	1	Input	Opt	Serial Shift enable (Only Dynamic Mode)
SDIN	1	Input	Opt	Serial Data in for PLL configuration bits (Only Dynamic Mode)
SUPDATE	1	Input	Opt	Serial Update (Only Dynamic Mode)
MODE	1	Output	Opt	Dynamic or Static mode indicator

For more detailed information on the various features of the APA PLL, please refer to *Using ProASIC^{PLUS} Clock Conditioning Circuits* and the *ProASIC^{PLUS} PLL Dynamic Reconfiguration Using JTAG* application notes at <http://www.actel.com>.

Axcelerator PLL

Features

- Clock Delay Minimization
- Clock Frequency Synthesis
- Programmable delay lines for clock delay adjustment
- 6-bit divider in the feedback path for clock multiplication
- 6-bit divider in one of the output paths for clock division
- Cascadable up to 2 PLLs

Family support

Axcelerator

Description

The Axcelerator PLL has two main features. They are:

- Clock Delay Minimization

In this mode the PLL can perform either a positive or negative clock delay operation of up to 3.75ns in increments of 250ps before or after the clock edge of the incoming reference clock. The value of the delay is programmable via the five bits of the DelayLine bus.

- Clock Frequency Synthesis

The multiplier and divider can be used together to synthesize a wide range of output frequencies from the reference clock. Input frequencies are allowed to be in the range of 14 MHz to 200 MHz. Multiplication and division factors are integers in the range of 1 to 64. The maximum allowable output frequency is 1 GHz. The output duty cycle is fixed at 50/50.

Cascading Blocks

The device supports cascading of up to 2 PLLs.

Table 10-3. Port Description

Name	Size	Type	Req/Opt	Function
RefClk	1	Input	Req	Reference Clock
PWRDN	1	Input	Req	Power Down
Lock	1	Output	Req	PLL Lock
FB	1	Input	Opt	Feedback (only external feedback)
CLK(freq)	1	Output	Opt	Clk1 with the required freq
CLK(freq)	1	Output	Opt	CLK2 with the required freq

Table 10-4. Parameter Description

Parameter	Value	Function
LPMTYPE	LPMPLL	PLL category
LPM_HINT	PRIM	Only primary output
	SEC	Only secondary output
	BOTH	Both outputs
FB	Internal External	Feedback
IFREQ	14.0 - 200.0 MHz	Input Frequency
PFREQ	14.0 - 1000.0	Primary Clock freq
SFREQ	14.0 - 1000.0	Secondary Clock freq
DT	STATIC DYNAMIC	Delay type
DELAYSIGN	+ve -ve	Positive or negative delay
DELAYVALUE	0 - 3.75 ns	In steps of 250 ps ⁴

Table 10-4. Parameter Description

Parameter	Value	Function
CASCADE	YES NO	Cascade 2 PLLs to achieve the required output frequency
REFCLKPAD	DEDICATED EXTERNAL	Source of REFCLK, the Dedicated Pad, or any external net
CLK1OUT	HW RC RN	Clock network to which PLL is connected, Hard-wired Clock, Routed Clock, or Routed Net

a. In the GUI, the delay is entered directly as a value between -3.75 and +3.75 without breaking it into sign and value

Description

The Axcelerator family provides eight PLLs, four on the north side and four on the south side of the device. The outputs of the north-side PLLs can be connected to either hard-wired clock networks or regular nets. The outputs of the south-side PLLs can be connected to either routed clock networks or regular nets. The Axcelerator family PLLs have many outstanding features, including the following:

- PLLs can multiply and/or divide the reference clock frequency by factors ranging from 1 to 64. As a result, there are many available output frequencies for each PLL, based on the input frequency. ACTgen automatically calculates the values of the multiplier and divider based on the Input and Output frequencies specified. If the exact value cannot be achieved, ACTgen generates the output frequency that is the closest possible to the required value.
- PLLs are capable of inserting programmable delays on the REFCLK from -3.75ns to +3.75ns with the steps of 250ps. The delay is programmed either statically or dynamically. Dynamic programming means that you can change the delay value during the operation when the device is functional. If you select the dynamic delay, then the 5-bit Delay Line port is added to the generated code and accessible to you.

Refclk is the reference input to the PLL. The frequency of Refclk can vary from 14 MHz to 200 MHz. The reference can be supplied from a dedicated pad or an internal net.

You can select to have an internal or external feedback. Selecting an external feedback adds a port (named FB) to the PLL block, through which the external feedback is passed into the PLL and the internal feedback is blocked.

Clk(freq) are the output signals from the PLL. The CLK(primary) is defined as $\text{refclk} * i/j$ where i is the multiplier and j is the divider. CLK(secondary) is defined as $\text{refclk} * i$

Cascading

Cascading is an option that helps you generate a wider range of output frequencies. If cascading is set to No and the output frequency is chosen as a value that cannot be achieved by $f_{\text{REF}} * i/j$, then the PLL will try to set i and j in order to reach to the closest vicinity of the desired frequency. If cascading is set to Yes, then for the conditions in which the desired frequency is unattainable by a single PLL, another PLL will be cascaded to the first PLL and then the final output frequency is:

$$f_{\text{out}} = f_{\text{REF}} \times \left(\frac{i1}{j1}\right) \times \left(\frac{i2}{j2}\right)$$

In cascading PLLs, the input frequency of each PLL should remain in the range of 14 MHz to 200 MHz.

You must specify the desired output frequencies and the networks that the outputs should drive for the PLL outputs CLK1 and CLK2. Note that if cascading is disabled, the CLK2 frequency can only be a multiple of the reference frequency. As mentioned earlier, if the selected values for output frequencies cannot be achieved, they will be set to the closest possible frequency.

For each output, there are three routing resources. Hard-wired is the HCLK network which reaches to the clock input of R-cells. Selecting a hard-wired output for the PLL implies that the PLL should be located at the north side of the device. If one of the outputs is connected to hard-wired global network, the routed clock network cannot be chosen as the second output because the routed clock network is only accessible by the PLLs on the south side. ACTgen

helps you select the output type by keeping the possible outputs active and disabling the illegal combinations (Table 10-5).

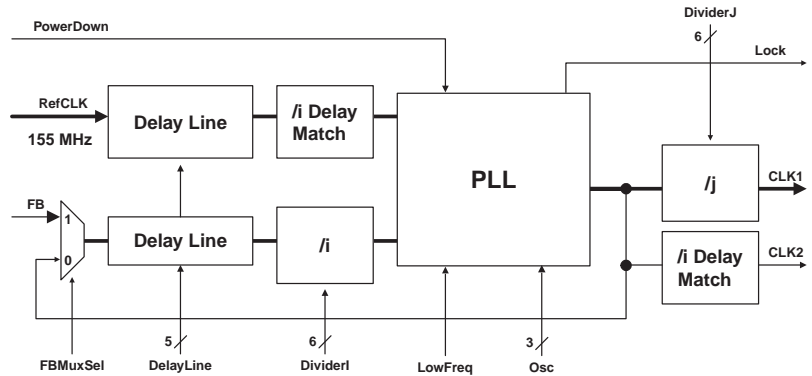


Table 10-5. Basic PLL Architecture in Axcelerator Devices

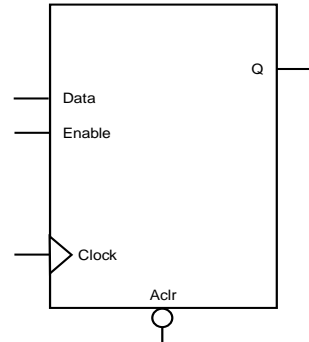
For more detailed information on the various features of the Axcelerator PLL, please refer to the *Axcelerator Family PLL and Clock Management* application note at <http://www.actel.com>.

Register (Storage Elements)

Storage Register

Features

- Parameterized word length
- Asynchronous clear
- Synchronous register parallel load
- Behavioral simulation model in VHDL and Verilog



Family Support

ACT 1, ACT 2/1200XL, ACT 3, 3200DX, 40MX, 42MX, 54SX, 54SX-A, eX, 500K, PA, Axcelerator

Description

Storage registers have a parallel-in/parallel-out (PIPO) architecture. The registers are WIDTH bits. They are clocked on the rising (RISE) or falling (FALL) edge of the clock *Clock* (CLK_EDGE).

The *Clear* signal (CLR_POLARITY), active high or low, provides an asynchronous reset of the registers to “000...0”. You may choose to not implement the reset function.

The *Enable* signal (EN_POLARITY), active high or low, provides a synchronous load enable operation with respect to the *Clock* signal. You can choose to not implement this function. Storage registers are then loaded with a new value every clock cycle.

Table 11-1. Port Description

Port Name	Size	Type	Req./Opt.	Function
Data	WIDTH	input	Req.	Register load input
Aclr	1	input	Opt.	Asynchronous register reset
Enable	1	input	Opt.	Synchronous Parallel load enable
Clock	1	input	Req.	Clock
Q	WIDTH	output	Req.	Register output bus

Table 11-2. Parameter Description

Parameter	Family	Value	Function
WIDTH	500K, PA	1-512	Word length of Data and Q
	All other	1-99	
CLR_POLARITY	ALL	0 1 2	Aclr can be active low, active high or not used
EN_POLARITY	ALL	0 1 2	Enable can be active low, active high
CLK_EDGE	ALL	RISE FALL	Clock can be rising or falling

Table 11-3. Fan-in Control Parameters

Parameter	Value
CLR_FANIN	AUTO MANUAL
CLR_VAL	<val> [default value for AUTO is 8, 1 for MANUAL]
EN_FANIN	AUTO MANUAL
EN_VAL	<val> [default value for AUTO is 6, 1 for MANUAL]
CLK_FANIN	AUTO MANUAL
CLK_VAL	<val> [default value for AUTO is 8, 1 for MANUAL]

Table 11-4. Implementation Parameters

Parameter	Value	Description
LPMTYPE	LPM_DFF	Register category
LPM_HINT	PIPO	Parallel-in/Parallel-out

Table 11-5. Functional Description^a

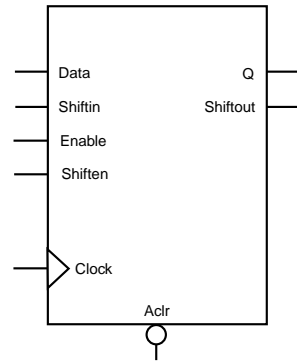
Data	Aclr	Enable	Clock	Q
X	0	X	X	0's
X	1	X	↓	Q_n
X	1	0	↑	Q_n
m	1	1	↑	$Q_{n+1} = m$

a. Assume Aclr is active low, Enable is active high, Clock is rising (edge-triggered)

Shift Register

Features

- Parameterized word length
- Asynchronous clear
- Synchronous parallel load
- Behavioral simulation model in VHDL and Verilog



Family Support

ACT 1, ACT 2/1200XL, ACT 3, 3200DX, 40MX, 42MX, 54SX, 54SX-A, eX, 500K, PA, Axcelerator

Description

Shift registers have parallel-in/parallel-out (PIPO), parallel-in/serial-out (PISO), serial-in/parallel-out (SIPO) and serial-in/serial-out (SISO) architecture. The registers are WIDTH bits. They are clocked on the rising (RISE) or falling (FALL) edge of the clock *Clock* signal (CLK_EDGE).

The *Clear* signal (CLR_POLARITY), active high or low, provides an asynchronous reset of the registers to “000...0”. You may choose to not implement the reset function.

Shift registers can be loaded with *Data*. The *Enable* signal (EN_POLARITY), active high or low, provides a synchronous load enable operation with respect to the clock signal *Clock*. You may choose to not implement this function. Shift registers are then implemented in a serial-in mode (SIPO or SISO).

Shift registers have a shift enable signal *Shiften* (SHEN_POLARITY) that can be active high or low. When *Shiften* is active, the register is shifted internally. The LSB is loaded with *Shiftin*.

In the current implementation, *Enable* has priority over *Shiften*.

Table 11-6. Port Description

Port Name	Size	Type	Req/Opt	Function
Data	WIDTH	input	Opt.	Register load input data
Shiftin	1	Input	Opt.	Shift in signal

Table 11-6. Port Description (Continued)

Port Name	Size	Type	Req/Opt	Function
Aclr	1	input	Opt.	Asynchronous register reset
Enable	1	input	Opt.	Synchronous parallel load enable
Shiften	1	input	Req.	Synchronous register shift enable
Clock	1	input	Req.	Clock
Q	WIDTH	output	Opt.	Register output bus
Shiftout	1	output	Opt.	Serial output

Table 11-7. Parameter Description

Parameter	Family	Value	Function
WIDTH	500K, PA	2-512	Word length of Data and Q
	All other	2-99	
CLR_POLARITY	ALL	0 1 2	Aclr can be active low, active high or not used
EN_POLARITY	ALL	0 1 2	Enable can be active low, active high
SHEN_POLARITY	ALL	0 1	Shiften can be active low, active high or not used
CLK_EDGE	ALL	RISEFALL	Clock can be rising or falling

Table 11-8. Fan-in Control Parameters

Parameter	Value
CLR_FANIN	AUTO MANUAL
CLR_VAL	<val> [default value for AUTO is 8, 1 for MANUAL]
EN_FANIN	AUTO MANUAL
EN_VAL	<val> [default value for AUTO is 6, 1 for MANUAL]
SHEN_FANIN	AUTO MANUAL

Table 11-8. Fan-in Control Parameters (Continued)

Parameter	Value
SHEN_VAL	<val> [default value for AUTO is 6, 1 for MANUAL]
CLK_FANIN	AUTO MANUAL
CLK_VAL	<val> [default value for AUTO is 8, 1 for MANUAL]

Table 11-9. Implementation Parameters

Parameter	Value	Description
LPMTYPE	LPM_DFF	Register category
LPM_HINT	PIPOS	Parallel-in/Parallel-out shift register
	PISO	Parallel-in/Serial-out shift register
	SIPO	Serial-in/Parallel-out shift register
	SISO	Serial-in/Serial-out shift register

Table 11-10. Functional Description^a

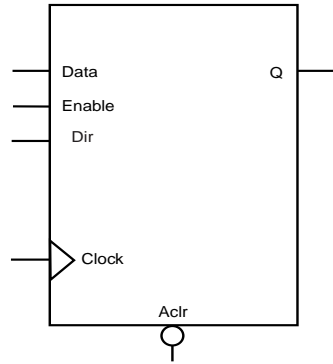
Data	Aclr	Enable	Shiften	Clock	Q ^b	Shiftout ^c
X	0	X	X	X	0	0
X	1	X	X	↓	Q _n	Q _n = [WIDTH-1]
X	1	0	0	↑	Q _n	Q _n = [WIDTH-1]
X	1	0	1	↑	Q _n [WIDTH-2:0] && Shiftin	Q _n = [WIDTH-1]
m	1	1	X	↑	Q _{n+1} = m	Q _{n+1} = m[WIDTH-1]

- a. Aclr is active low, Enable is active high, Shiften is active high, Clock is rising.
- b. For the PISO and SISO implementations, Q is an internal register.
- c. For the PIPO and SIPO implementations, Shiftout is not present.

Barrel Shifter

Features

- Parameterized word length
- Standard or pipelined
- Shift right, left or both
- Wrap around or feed bit
- Fixed or programmable shift.



Family Support

54SX, 54SX-A, eX, 500K, PA, Axcelerator

Description

The Barrel Shifter can be generated for a fixed shift or range of shift, with feedbit shift or rotation in left, right, or both directions. The non-pipelined Barrel Shifter is designed to shift any number of positions at one time. For the pipelined version it takes $\log_2(\text{MAXSHIFT})$ clock cycles for the shifted data to appear at the output.

The architecture is based on 2 to 1 Multiplexors.

Table 11-11. Port Description

Port Name	Size	Type	Req./Opt.	Function
Data	WIDTH	input	Req.	Register load input
Aclr	1	input	Opt.	Asynchronous register reset
Dir	1	input	Opt	For selecting Left or Right shift
RFill	1	input	Opt	For Right Feed Bit
LFill	1	input	Opt	For Left Feed Bit
S0, S1...	Log of Max. Shift	input	Opt	For programmable, depends on Maximum shift
Enable	1	input	Opt.	Synchronous Parallel load enable
Clock	1	input	Req.	Clock
Q	WIDTH	output	Req.	Register output bus

Table 11-12. Parameter Description

Parameter	Value	Function
WIDTH	2-99 (Pipelined) 2-63 (Standard) 2-99 (PA fixed programmable) 2-63 (PA range programmable)	Word length of Data and Q
MAXSHIFT	1-32	Maximum Shift length
CLR_POLARITY	0 1 2	Aclr can be active low, active high or not used
PROG	Fixed or Range	For a Fixed or Programmable shift
FILL	No , Yes	Wrap around or Feed a bit
DIRECTION	Right Left Both	Direction can be Right Left or Both
EN_POLARITY	0 1 2	Enable can be active low, active high
CLK_EDGE	RISE FALL	Clock can be rising or falling

5

Table 11-13. Fan-in Control Parameters

Parameter	Value
CLR_FANIN	AUTO MANUAL
CLR_VAL	<val> [default value for AUTO is 8, 1 for MANUAL]
EN_FANIN	AUTO MANUAL
EN_VAL	<val> [default value for AUTO is 6, 1 for MANUAL]
CLK_FANIN	AUTO MANUAL
CLK_VAL	<val> [default value for AUTO is 8, 1 for MANUAL]
SEL0_FANIN	AUTO MANUAL
SEL0_VAL	<val> [default value for AUTO is 6, 1 for MANUAL]

Table 11-14. Implementation Parameters

Parameter	Value	Description
LPMTYPE	LPM_DFF	Register category
LPM_HINT	SHIFT, PIPE	Standard or Pipelined

Table 11-15. Functional Description^a (Standard)

Data	Enable	Clock	Q
M	1	↑	Q_n
M	0	↑	M_{shifted}

a. Assume Aclr is active low, Enable is active high, Clock is rising

Table 11-16. Functional Description^a (Pipelined)

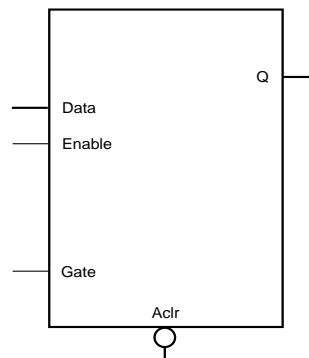
Data	Aclr	Enable	Clock	Q
X	0	X	X	0's
X	1	0	X	$Q_n = M_{\text{shifted}} - \log_2(\text{MAXSHIFT})$
M	1	1	↑	$Q_{n+1} = M_{\text{shifted}} - \log_2(\text{MAXSHIFT}) + 1$

a. Assume Aclr is active low, Enable is active high, Clock is rising

Storage Latch

Features

- Parameterized word length
- Asynchronous clear
- Synchronous latch enable
- Behavioral simulation model in VHDL and Verilog



Family Support

ACT 1, ACT 2/1200XL, ACT 3, 3200DX, 40MX, 42MX 54SX, 54SX-A, eX, 500K, PA, Axcelerator

Description

Latches have a parallel-in/parallel-out architecture (PIPO). The latches are WIDTH bits. The latches are gated on the active high (HIGH) or low (LOW) state of the gate *Gate* (GATE_POLARITY).

The *Clear* signal (CLR_POLARITY), when active high or low, provides an asynchronous reset of the latch to “000...0”. You may choose to not implement this function.

The *Enable* signal (EN_POLARITY), when active high or low, provides a synchronous latch enable operation with respect to the gate *Gate*. You may choose to not implement this function. Latches are then loaded with a new value when both *Enable* and *Gate* are active.

Table 11-17. Port Description

Port Name	Size	Type	Req/Opt	Function
Data	WIDTH	input	Req.	Latch load input
Aclr	1	input	Opt.	Asynchronous latch reset
Enable	1	input	Opt.	Synchronous parallel latch enable
Gate	1	input	Req.	Gate input
Q	WIDTH	output	Req.	Latch output bus

Table 11-18. Parameter Description

Parameter	Family	Value	Function
WIDTH	500K, PA	1-99	Word length of Data and Q
	All other	1-512	
CLR_POLARITY	ALL	0 1 2	Aclr can be active low, active high or not used
EN_POLARITY	ALL	0 1 2	Enable can be active low, active high
GATE_POLARITY	ALL	0 1	Gate can be active low, or active high

Table 11-19. Fan-in Control Parameters

Parameter	Value
CLR_FANIN	AUTO MANUAL
CLR_VAL	<val> [default value for AUTO is 8, 1 for MANUAL]
EN_FANIN	AUTO MANUAL
EN_VAL	<val> [default value for AUTO is 6, 1 for MANUAL]
GATE_FANIN	AUTO MANUAL
GATE_VAL	<val> [default value for AUTO is 8, 1 for MANUAL]

Table 11-20. Implementation Parameters

Parameter	Value	Description
LPMTYPE	LPM_LATCH	Latch category
LPM_HINT	N/A	Not needed

Table 11-21. Functional Description^a

Data	Aclr	Enable	Gate	Q
X	0	X	X	0's
X	1	X	0	Q _n
X	1	0	1	Q _n
m	1	1	1	Q _{n+1} = m

a. Assume Aclr is active low, Enable is active high, Gate is active high

*Memory Macros for
Non-Axcelerator Families*

Synchronous/Asynchronous Dual Port RAM

Features

- Parameterized word length and depth
- Dual port synchronous RAM architecture
- Dual port synchronous write, asynchronous read RAM architecture
-

Family Support

3200DX, 42MX

Description

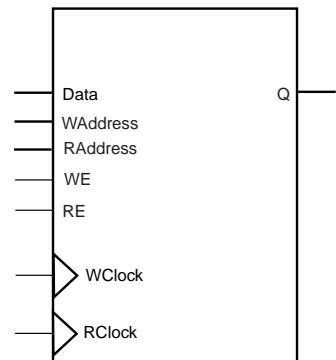
The RAM macros use 3200DX and 42MX, 32x8 or 64x4, dual port RAM cells.

In the synchronous mode, the read and write operations are totally independent and can be performed simultaneously. The operation of the RAM is fully synchronous with respect to the clock signals, *WClock* and *RClock*. Data of value *Data* are written to the *WAddress* of the RAM memory space on the rising (RISE) or falling (FALL) edge of the clock *WClock* (WCLK_EDGE). Data are read from the RAM memory space at *RAddress* into *Q* on the rising (RISE) or falling (FALL) edge of the clock signal *RClock* (RCLK_EDGE).

The behavior of the RAM is unknown if you write and read at the same address and signals *WClock* and *RClock* are not the same. The output *Q* of the RAM depends on the time relationship between the write and the read clock.

In the asynchronous mode, the operation of the RAM is only synchronous with respect to the clock signal *WClock*. Data of value *Data* are written to the *WAddress* of the RAM memory space on the rising (RISE) or falling (FALL) edge of the clock signal *WClock* (WCLK_EDGE). Data are read from the RAM memory space at *RAddress* into *Q* after some delay when *RAddress* has changed.

The behavior of the RAM is unknown if you write and read at the same address. The output *Q* depends on the time relationship between the write clock and the read address signal.



The WIDTH (word length) and DEPTH (number of words) have continuous values but the choice of WIDTH limits the choice of DEPTH and vice versa.

The write enable (*WE*) and read enable (*RE*) signals are active high request signals for writing and reading, respectively; you may choose not to use them.

Table 12-1. Port Description

Port Name	Size	Type	Req/Opt	Function
Data	WIDTH	input	Req.	Input Data
WE	1	input	Opt.	Write Enable
RE	1	input	Opt.	Read Enable
WClock	1	input	Req.	Write clock
RClock	1	input	Opt.	Read clock
Q	WIDTH	output	Req.	Output Data

Table 12-2. Parameter Description

Parameter	Value	Function
WIDTH	width	Word length of Data and Q
Depth	depth	Number of RAM words
WE_POLARITY	1 2	WE can be active high or not used
RE_POLARITY	1 2	RE can be active high or not used
WCLK_EDGE	RISE FALL	WClock can be rising or falling
RCLK_EDGE	RISE FALL NONE	RClock can be rising, falling or not used

Table 12-3. Implementation Parameters

Parameter	Value	Description
LPMTYPE	LPM_RAM_DQ	Generic Dual Port RAM category

Table 12-4. Fan-in Parameters

Parameter	Value	Description
RAMFANIN	AUTO MANUAL	See Fan-in Control section below

Table 12-5. Parameter Rules

Parameter Rules
If RCLK_EDGE is NONE (Asynchronous mode), then RE_POLARITY must be 2 (note used)
The number of RAM blocks used (function of width and depth) must be less than or equal to the number of RAM blocks in one column of the largest device.

Fan-in Control

One of the key issues when building RAM macros is control of the routing congestion near the RAM cells. The problem becomes more critical when deep RAM macros are built. You need to broadcast signals throughout the height of the chip. The place-and-route algorithm could have difficulties satisfying all routing constraints. As a result, much slower routing resources could be allocated to satisfy all constraints. To make this problem less likely, a special buffering scheme has been implemented to relieve the congestion near the RAM cells. However, you may choose to control the buffering yourself to improve performances when needed. The RAM macro can be built using either the automatic buffering architecture or the manual buffering architecture.

Automatic Buffering

In this mode (default), a buffering scheme is automatically built into the RAM macro architecture (see Figure 12-1 on page 123). This mode should always be

considered first. However, if the performance is not met, it may be better to use the manual buffering option .

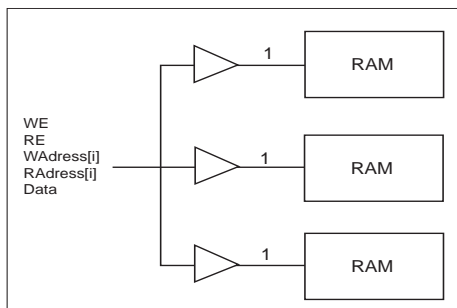


Figure 12-1. Automatic Buffering for RAM Macros

Manual Buffering

Figure 12-2 shows how manual buffering is done. A fan-in of one (1) is enforced on all signals fanning out to more than one RAM cell. If these signals were broadcast to all RAM cells, very slow routing resources (long freeways) would be required to route the signals impacting the RAM performance.

Use Manual Buffering only if the expected performance is not realized using the automatic buffering scheme, or if you know ahead of time that you need to use this scheme to meet your timing goals. In this architecture, the idea is not to buffer the signals internally but rather give some kind of access to the RAM macro internal signals. Then, you must buffer the signals outside the macro and either use traditional buffers or duplicate the logic that drives these signals externally. If you choose manual buffering, the *WE*, *RE*, *Waddress(i)*, *RAddress(i)* and *Data[i]* signals become busses external to the macro. For all these signals, the bus width is equal to the number of RAM cells (used to build a given configuration) driven by each signal. Figure 12-2 illustrates the manual buffering architecture for a 96x8 RAM configuration, built of three 32x8 configured RAM cells. In this configuration, the *WE*, *RE*, *WAddress* and *RAddress* signals drive all RAM cells simultaneously. Figure 12-3 shows a 128x8 RAM configuration, built using four 64x4 configured RAM cells. In that

configuration, the 8-bit data bus is split into two completely independent 4-bit data busses.

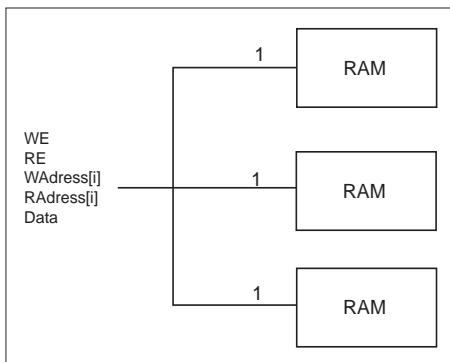


Figure 12-2. Manual Buffering (96x8 RAM Configuration)

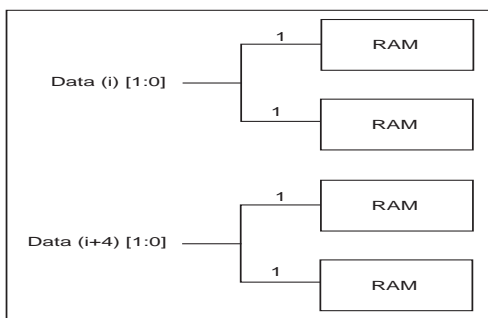


Figure 12-3. Manual Buffering for the Data Bus (128x8 RAM Configuration)

Timing Waveforms

Table 12-6. Timing Waveform Terminology

Term	Description	Term	Description
t_{ckhl}	Clock high/low period	t_{dsu}	Data setup time

Table 12-6. Timing Waveform Terminology

Term	Description	Term	Description
t_{rp}	Reset pulse width	t_{rco}	Data valid after clock high/low
t_{wesu}	Write enable setup time	t_{rao}	Data valid after read address has changed
t_{resu}	Read enable setup time	t_{co}	Flip-flop clock to output

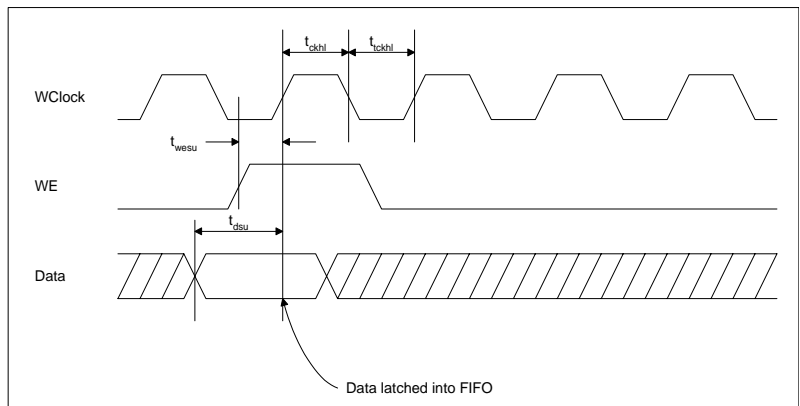


Figure 12-4. RAM Write Cycle

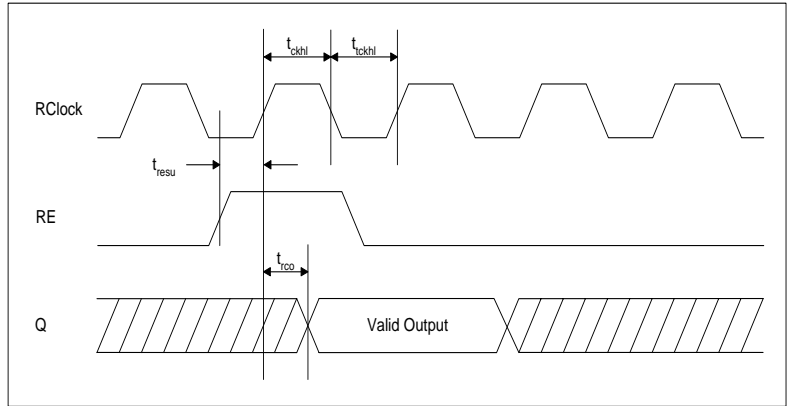


Figure 12-5. RAM Synchronous Read Cycle

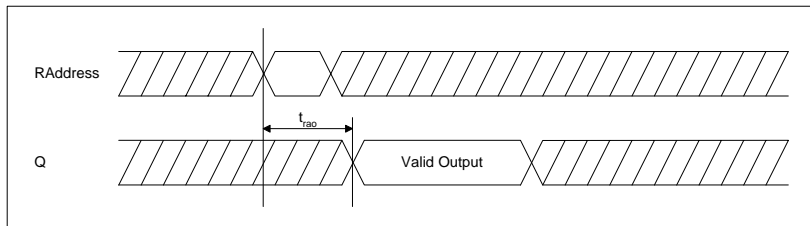
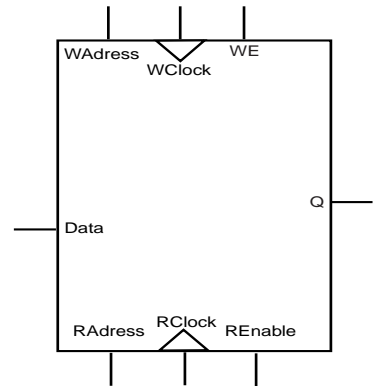


Figure 12-6. RAM Asynchronous Read Cycle

Register File

Features

- Parameterized word length and depth
- Dual port synchronous RAM architecture
- Dual port synchronous write, asynchronous read RAM architecture
- Write and Read enable
- Behavioral simulation model in VHDL and Verilog



Family Support

54SX, 54SX-A, eX

Description

The register file is a macro unique to the 54SX, 54SX-A and eX families. This macro synthesizes the equivalent of small RAM blocks using ordinary logic, thereby making memory cells available to you even though the silicon does not explicitly have hardware support for RAM.

In synchronous mode, the read and write operations are totally independent and can be performed simultaneously. The operation of the register is fully synchronous with respect to the clock signals WClock and RClock. Data of value Data are written to the WAddress of the register memory space on the rising (RISE) or falling (FALL) edge of the clock WClock (WCLK_EDGE). Data are read from the register memory space at RAddress into Q on the rising (RISE) or falling (FALL) edge of the clock RClock (RCLK_EDGE).

The behavior of the Register is unknown, if designers write and read at the same address and WClock and RClock are not the same. The output Q of the register depends on the time relationship between the write and the read clock.

In asynchronous mode, the operation of the register is only synchronous with respect to the clock signal WClock. Data of value Data are written to the WAddress of the register memory space on the rising (RISE) or falling (FALL) edge of the clock WClock

(WCLK_EDGE). Data are read from the register memory space at RAddress into Q after some delay when RAddress has changed.

The WIDTH (word length) and DEPTH (number of words) have continuous values but the choice of WIDTH limits the choice of DEPTH and vice versa.

The write enable (WE) and read enable (RE) signals are active high request signals for writing and reading, respectively. The user may not utilize them.

Table 12-7. Port Description

Port Name	Size	Type
Data	WIDTH	input
WE	1	input
RE	1	input
WClock	1	input
RClock	1	input
Q	WIDTH	output

Table 12-8. Parameter Description

Parameter	Value	Function
WIDTH	width	Word length of Data and Q
DEPTH	depth	Number of RAM words
WE_POLARITY	1 2	WE can be active high or not used
RE_POLARITY	1 2	RE can be active high or not used
WCLK_EDGE	RISE FALL	WClock can be rising or falling
RCLK_EDGE	RISE FALL NONE	RClock can be rising, falling or not used

Timing Waveforms

Table 12-9. Timing Waveform Terminology

Term	Description	Term	Description
t_{ckhl}	Clock high/low period	t_{dsu}	Data setup time
t_{rp}	Reset pulse width	t_{rco}	Data valid after clock high/low
t_{wesu}	Write enable setup time	t_{rao}	Data valid after read address has changed
t_{resu}	Read enable setup time	t_{co}	Flip-flop clock to output

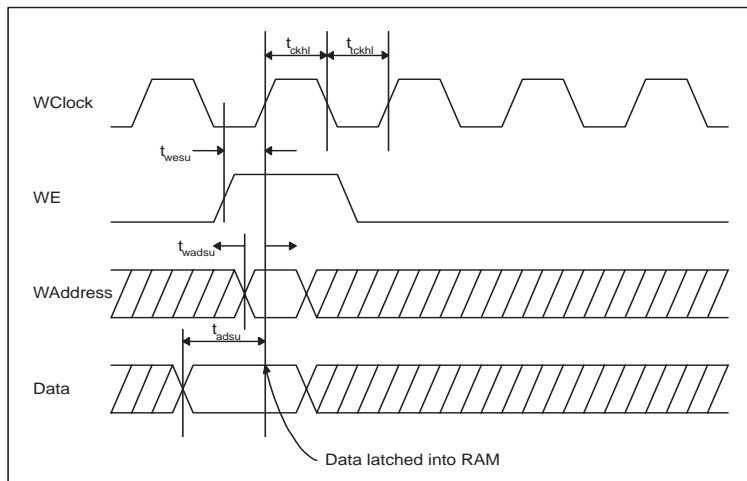


Figure 12-7. Ram Write Cycle

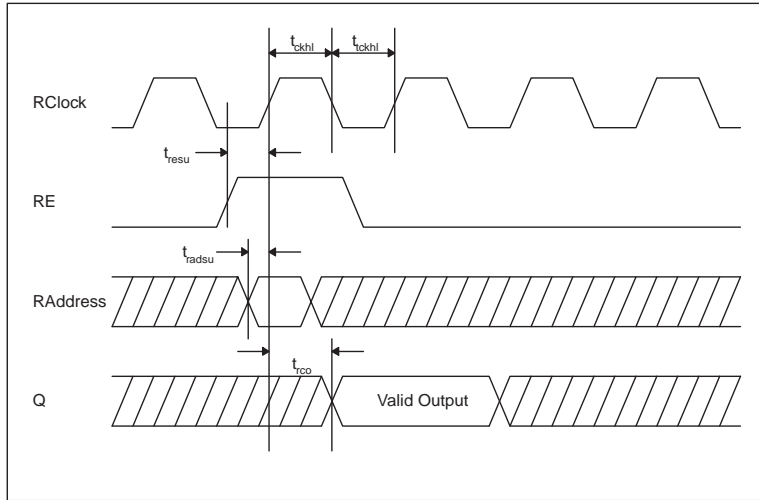


Figure 12-8. RAM Synchronous Read Cycle

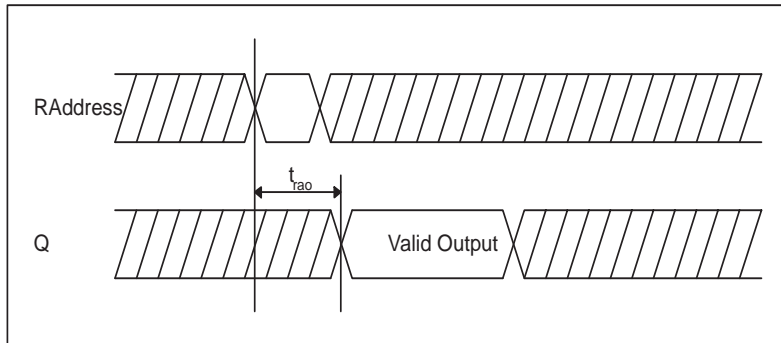
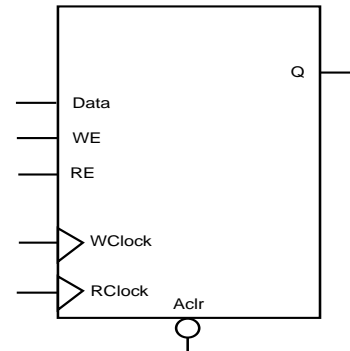


Figure 12-9. RAM Asynchronous Read Cycle

Synchronous Dual Port FIFO without Flags

Features

- On-chip RAM
- Parameterized word length and depth
- Dual port synchronous FIFO (write and read clocks are separated) with no static flag logic
- Global reset of FIFO address pointers



Family Support

3200DX, 42MX, 54SX, 54SX-A, eX

Description

The ACTgen FIFO macros use the 3200DX and 42MX 32x8 or 64x4 on-chip RAM cells. ACTgen generates addresses internally using counters and token chains to address the RAM blocks (transparent to the user). Dedicated read and write address data paths are used in the FIFO architecture. The read and write operations are independent and can be performed simultaneously.

The WIDTH (word length) and DEPTH (number of words) have continuous values but the choice of WIDTH limits the choice of DEPTH and vice versa.

The asynchronous clear signal, *Aclr*, can be active low or active high (low is the default option and is the preferred use for all synchronous elements in the two supported families). When the asynchronous clear is active, all internal registers used to determine the current FIFO read and write addresses (counters and token chains) are reset to "0." The FIFO is now in an empty state; the RAM content is not affected. When power is first applied to the FIFO, the FIFO must be initialized with an asynchronous clear cycle to reset the internal address pointers.

The write enable *WE* and read enable *RE* signals are active high request signals for writing into and reading out of the FIFO respectively. The *WE* and *RE* signals only control the logic associated with the FIFO write and read address pointers.

When *WE* is asserted high, the write cycle is initiated, and Data are written into the FIFO. The design using the FIFO is responsible for handling the full and empty states of the FIFO macro.

When *RE* is asserted high, the read cycle is initiated, and Q is read from the FIFO. The design using the FIFO is responsible for handling the full and empty states of the FIFO macro.

Table 12-10. Port Description

Port Name	Size	Type	Req/Opt	Function
Data	WIDTH	input	Req.	Input Data
WE	1	input	Req.	Write Enable
RE	1	input	Req.	Read Enable
WClock	1	input	Req.	Write clock
RClock	1	input	Req.	Read clock
Q	WIDTH	output	Req.	Output Data

Table 12-11. Parameter Description

Parameter	Value	Function
WIDTH	width	Word length of Data and Q
DEPTH	depth	Number of FIFO words
WCLK_EDGE	RISE FALL	WClock can be rising or falling
RCLK_EDGE	RISE FALL	RClock can be rising falling

Table 12-12. Implementation Parameters - MX/DX

Parameter	Value	Description
LPMTYPE	LPM_FIFO_DQ	Generic FIFO category
LPM_HINT	SFIFO	Synchronous FIFO with no flags

Table 12-13. Implementation Parameters - 54SX/SX-A

Parameter	Value	Description
LPM_HINT	SFIFOSX	Synchronous FIFO with no flags

Table 12-14. Fan-in Parameters

Parameter	Value	Description
RAMFANIN	AUTO MANUAL	See “Fan-in Control” on page 122

Timing Waveforms

Table 12-15. Timing Waveform Terminology

Term	Description	Term	Description
t_{ckhl}	Clock high/low period	t_{dsu}	Data setup time
t_{rp}	Reset pulse width	t_{rco}	Data valid after clock high/low
t_{wesu}	Write enable setup time	t_{co}	Flip-flop clock to output
t_{resu}	Read enable setup time		

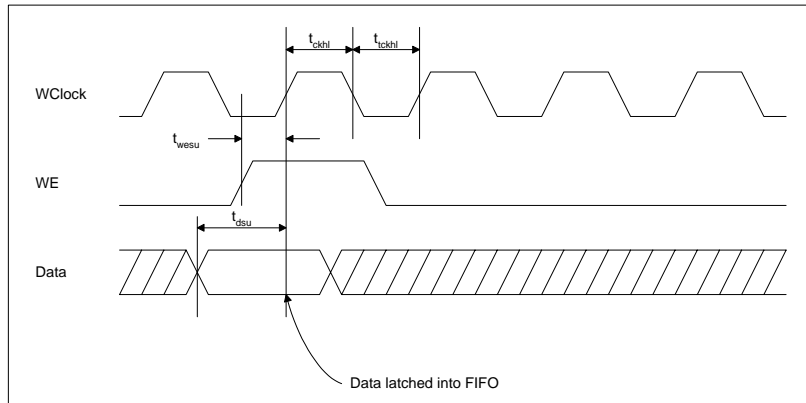


Figure 12-10. FIFO Write Cycle

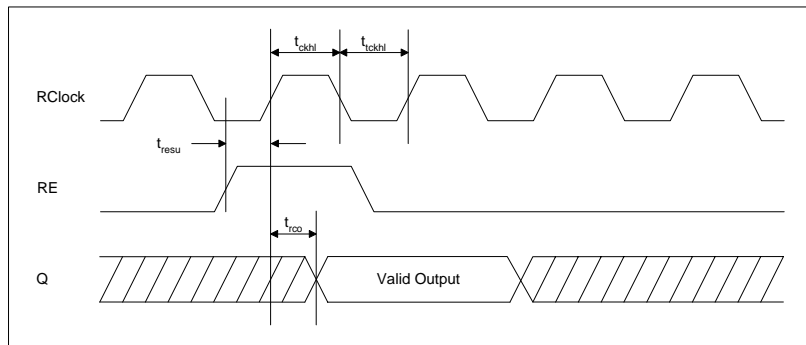
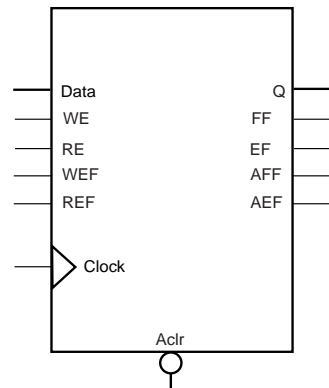


Figure 12-11. FIFO Read Cycle

Synchronous Dual Port FIFO with Flags

Features

- On-chip RAM
- Parameterized word length and depth
- FIFO full and empty flags
- Statically programmable almost-full to indicate when the FIFO macro reaches a specific level, usually when writing into the FIFO
- Statically programmable almost-empty flag to indicate when the FIFO macro reaches a specific level, usually when reading from the FIFO
- Global reset of the FIFO address pointers and flag logic
- Dual port synchronous FIFO



Family Support

3200DX, 42MX, 54SX, 54SX-A, eX

Description

The ACTgen FIFO macros use the 3200DX and 42MX 32x8 or 64x4 dual-port RAM cells. Addresses are generated internally using counters and token chains to address the RAM (this is transparent to the user). Dedicated read and write address data paths are used in the FIFO architecture. The read and write operations are totally independent and can be performed simultaneously.

The WIDTH (word length) and DEPTH (number of words) have continuous values but the choice of WIDTH limits the choice of DEPTH and vice versa.

The asynchronous clear signal, *Aclr*, can be active low or active high (low is the default option and should be used for all synchronous elements in the two supported families). When the asynchronous clear is active, all internal registers used to determine the current FIFO read and write addresses (counters and token chains) are reset to “0.”

The FIFO is now in an empty state; the RAM content is not affected. When power is first applied to the FIFO, the FIFO must be initialized with an asynchronous clear cycle to reset the internal address pointers.

The full flag signal, *FF*, is optional and is available only for the High Speed Flag (FFIFO) and the Medium Speed Flag (MFFIFO) variations. The *FF* signal is active high only (if selected) and indicates when the FIFO is full. The signal is asserted high on the rising (RISE) or falling (FALL) edge of the clock signal *Clock* with no delay.

The empty flag signal, *EF*, is optional and is available only for the High Speed Flag (FFIFO) and the Medium Speed Flag (MFFIFO) variations. The *EF* signal is active low only (if selected) and indicates when the FIFO is empty. The signal is asserted low on the rising (RISE) or falling (FALL) edge of the clock signal *Clock* with no delay.

The write enable signals, *WE* and *WEF*, and read enable signals, *RE* and *REF*, are active high requests for writing into and reading out of the FIFO respectively. The *WE* and *RE* signals only control the logic associated with the FIFO write and read address pointers. The *WEF* and *REF* signals control the logic implementing the different flags. The *WE* and *WEF* signals should be logically driven by the same logic outside the FIFO macro. The same behavior applies to the *RE* and *REF* signals as well. For SX and SX-A there are only the RE and WE ports.

When *WE* is asserted high and *FF* is asserted low (not full), the write cycle is initiated and Data are written into the FIFO. When *WE* is asserted high and *FF* is asserted high (full), the FIFO behavior is undefined. When *RE* is asserted high and *EF* is asserted high (empty), the read cycle is initiated and Q is read from the FIFO. When *RE* is asserted high and *EF* is asserted low (empty), the FIFO behavior is undefined. When *RE* and *WE* are asserted high at the same time, Data are written into the FIFO and Q is read from the FIFO simultaneously. The read and write operations are fully synchronous with respect to the clock signal *Clock*.

The FIFO function offers a parameterizable almost-full flag, *AFF*. The *AFF* flag is asserted high when the FIFO contains *aff_val* words or more as defined by the parameter *AFF_VAL*. Otherwise, *AFF* is asserted low. The *aff_val* value is a parameter to the macro, and thus logic is built at generation time to realize the almost-full flag function.

The FIFO function offers a parameterizable almost-empty flag, *AEF*. The *AEF* flag is asserted low when the FIFO contains *aef_val* words or less as defined by the parameter *AEF_VAL*. Otherwise, *AEF* is asserted low. The *aef_val* value is a parameter to the macro, and thus logic is built at generation time to realize the almost-empty flag function.

Table 12-16. Port Description

Port Name	Size	Type	Req./Opt.	Function
Data	WIDTH	input	Req.	Input Data
WE	1	input	Req.	Write Enable with the FIFO only (noflag)
RE	1	input	Req.	Read Enable with the FIFO only (no flag)
WEF	1	input	Req.	Write enable associated with the flag logic only (for DX/MX)
REF	1	input	Req.	Read enable associated with the flag logic only (for DX/MX)
Clock	1	input	Req.	Write and read clock
Q	WIDTH	output	Req.	Output Data
FF	1	output	Req.	Full Flag
EF	1	output	Req.	Empty Flag
AFF	1	output	Optional	Almost Full Flag
AEF	1	output	Optional	Almost Empty Flag

Table 12-17. Parameter Description

Parameter	Value	Function
WIDTH	width	Word length of Data and Q
DEPTH	depth	Number of FIFO words
FF_POLOARITY	1 2	FF can be active high or not

Table 12-17. Parameter Description (Continued)

Parameter	Value	Function
EF_POLARITY	0 2	EF can be active low or not used
AFF_VAL	aff_val (see parameter rules)	AFF value (not used if aff_val is 0
AEF_VAL	aef_val (see parameter rules)	AEF value (not used if aef_val is 0
CLK_EDGE	RISE FALL	Clock can be rising or falling

Table 12-18. Implementation Parameters - MX/DX

Parameter	Value	Description
LPMTYPE	LPM_FIFO_DQ	Generic FIFO category
LPM_HINT	FFIFO	High speed FIFO with flags
	MFFIFO	Medium speed FIFO with flags

Table 12-19. Implementation Parameters - 54SX/SX-A

Parameter	Value	Description
LPM_HINT	FFIFOSX	Synchronous FIFO with no flags

Table 12-20. Fan-in Parameters

Parameter	Value	Description
RAMFANIN	AUTO MANUAL	See Fan-in Control section below

Table 12-21. Parameter Rules

Parameter Rules
If RCLK_EDGE is NONE (Asynchronous mode), then RE_POLARITY must be 2 (not used)

Timing Waveforms

Table 12-22. Timing Waveform Terminology

Term	Description
t_{ckhl}	Clock high/low period
t_{rp}	Reset pulse width
t_{wesu}	Write enable setup time
t_{resu}	Read enable setup time
t_{adsu}	Data setup time
t_{rco}	Data valid after lock high/low
t_{rao}	Data valid after read address has changed
t_{co}	Flip-flop clock to output

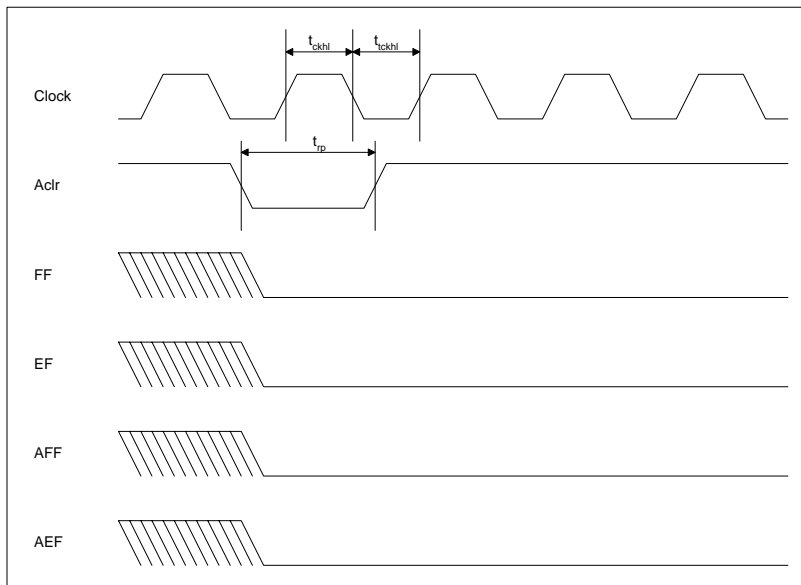


Figure 12-12. Reset Cycle

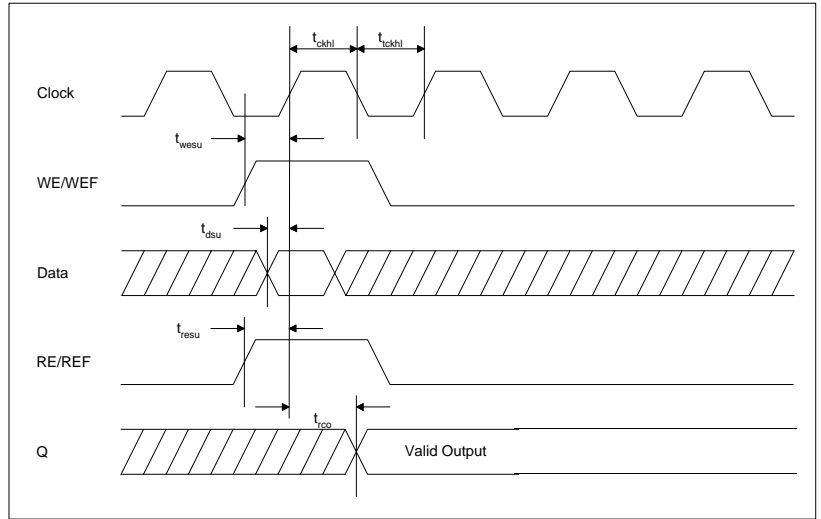


Figure 12-13. Write and Read Cycle

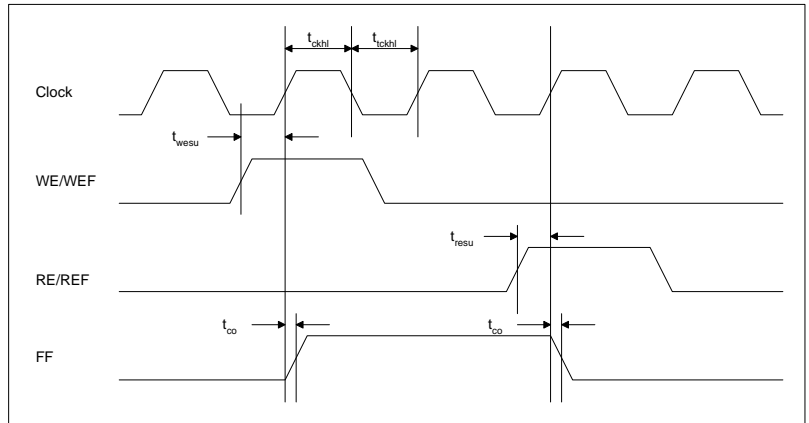


Figure 12-14. Full FIFO Timing Diagram

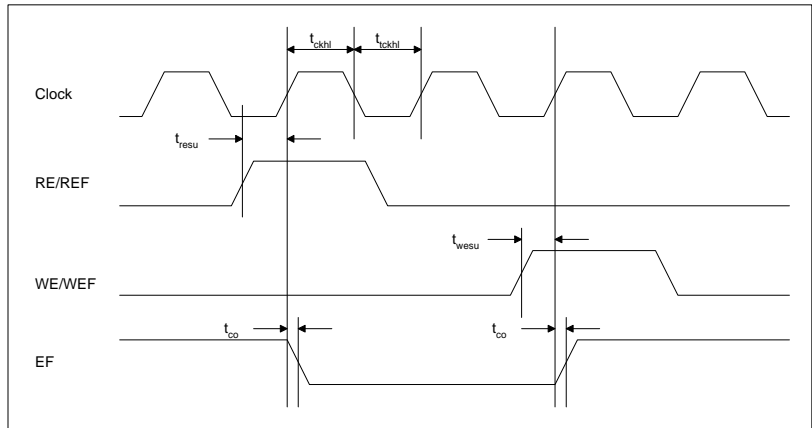


Figure 12-15. Empty FIFO Timing Diagram

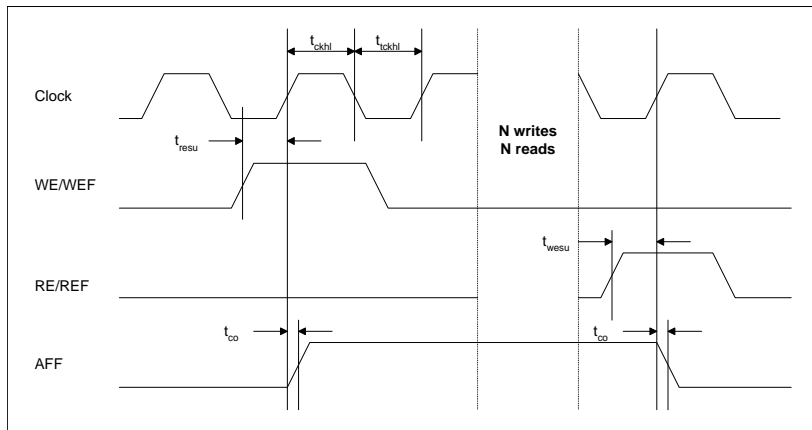
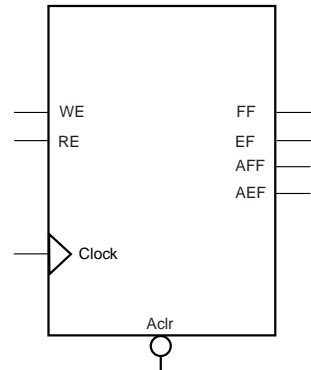


Figure 12-16. Almost Full FIFO Timing Diagram

FIFO Flag Controller (No RAM)

Features

- Off-chip RAM
- Parameterized word length and depth
- FIFO full and empty flags
- Statically programmable almost-full flag to indicate when the FIFO macro reaches a specific level, usually when writing into the FIFO
- Statically programmable almost-empty flag to indicate when the FIFO macro reaches a specific level, usually when reading from the FIFO
- Global reset of the FIFO address pointers and flag logic



Family Support

3200DX, 42MX, 54SX, 54SX-A, eX

Description

The ACTgen FIFO Flag Controller is designed for off-chip RAM. It is a state machine generating the Flags typically used by a FIFO.

The asynchronous clear (*Aclr*) can be active low or active high (low is the default option and should be preferably used as for all synchronous elements in the two supported families). We will further use the word active to specify the state of a given signal. When the asynchronous clear is active, all internal registers are reset to '0'. The FIFO Controller is now in an empty state. At power up time, the FIFO must be initialized with a asynchronous clear cycle.

The full flag signal *FF* is optional. The *FF* signal is active high only (if selected) and indicates when the FIFO is full. The signal is asserted high on the rising (RISE) or falling (FALL) edge of the clock signal *Clock* with no delay.

The empty flag signal *EF* is optional. The *EF* signal is active low only (if selected) and indicates when the FIFO is empty. The signal is

asserted low on the rising (RISE) or falling (FALL) edge of the clock signal *Clock* with no delay.

The write enable (*WE*) and read enable (*RE*) signals are active high requests signals for controlling the FIFO flags. They should be logically equivalent to the write and read enable controlling the off-chip RAM.

The FIFO Controller offers a parameterizable almost-full flag (*AFF*). The *AFF* flag is asserted high when the FIFO contains *aff_val* words or more as defined by the parameter *AFF_VAL*. Otherwise, *AFF* is asserted low. The value *aff_val* value is a parameter to the macro, and thus logic is built at generation time to realize the almost-full flag function.

The FIFO Controller offers a parameterizable almost-empty flag (*AEF*). The *AEF* flag is asserted low when the FIFO contains *aef_val* words or less as defined by the parameter *AEF_VAL*. Otherwise, *AEF* is asserted low. The value *aef_val* value is a parameter to the macro, and thus logic is built at generation time to realize the almost-empty flag function.

Table 12-23. Port Description

Port Name	Size	Type	Req/Opt?	Function
Clock	1	input	Req.	Write and read clock
WE	1	input	Req.	Write enable associated to the flag logic only
RE	1	input	Req.	Read enable associated to the flag logic only
Aclr	1	input	Req.	Asynchronous Clear
EF	1	output	Opt.	Empty Flag
FF	1	output	Opt.	Full Flag
AEF	1	output	Opt.	Almost Empty Flag
AFF	1	output	Opt.	Almost Full Flag

Table 12-24. Parameter Description

Parameter	Value	Function
WIDTH	width	Word length of Data and Q
DEPTH	depth	Number of FIFO words
FF_POLARITY	1 2	FF can be active high or not used
EF_POLARITY	0 2	EF can be active low or not used
AFF_VAL	aff_val (see parameter rules)	AFF value (not used if aff_val is 0)
AEF_VAL	aef_val (see parameter rules)	AEF value (not used if aef_val is 0)
CLK_EDGE	RISE FALL	Clock can be rising or falling

Table 12-25. Implementation Parameters - MX/DX

Parameter	Value	Description
LPMTYPE	LPM_FIFO_DQ	Generic FIFO category
LPM_HINT	FFIFOCTRL	High speed FIFO Controller
	MFFIFOCTRL	Medium speed FIFO Controller

Table 12-26. Implementation Parameters - 54SX/SX-A/eX

Parameter	Value	Description
LPM_HINT	FCTR	FIFO Controller

Table 12-27. Fan-In Parameters

Parameter	Value	Description
CLR_FANIN	AUTO MANUAL	See Fan-in Control section
CLK_FANIN	AUTO MANUAL	See Fan-in Control section
WE_FANIN	AUTO MANUAL	See Fan-in Control section
RE_FANIN	AUTO MANUAL	See Fan-in Control section

Memory Macros for Axcelerator

Axcelerator RAM

Features

- Parameterized word length and depth
- Dual port synchronous RAM architecture
- Independent Read/Write Sizes
- Active High/Low enable
- Active High/Low Read and Write Clocks
- Non-pipelined (synchronous - one clock edge)/
Pipelined (synchronous - two clock edges) Read
- Port mapping

Family support

Axcelerator

Description

Axcelerator provides dedicated blocks of RAM. Each block has a read port and a write port. Both ports are configurable to any size from 4Kx1 to 128x36; thereby, allowing built-in bus width conversion (see SRAM Port Aspect Ratio table below). Each port is completely independent and fully synchronous.

Table 13-1. SRAM Port Aspect Ratio

Width	Depth	ADDR Bus	Data Bus
1	4096	ADDR[11:0]	DATA[0]
2	2048	ADDR[10:0]	DATA[1:0]
4	1024	ADDR[9:0]	DATA[3:0]
9	512	ADDR[8:0]	DATA[8:0]
18	256	ADDR[7:0]	DATA[17:0]

Table 13-1. SRAM Port Aspect Ratio

Width	Depth	ADDR Bus	Data Bus
36	128	ADDR[6:0]	DATA[35:0]

Modes

The three major modes available for read and write operations are:

1. **Read Non-pipelined (synchronous - one clock edge)**
The read address is registered on the read port clock edge and data appears at read-data after the RAM access time (when all RENs are high, approximately 4.5ns). The setup time of the read address and read enable are minimal with respect to the read clock. Setting the Pipeline to OFF enables this mode.
2. **Read Pipelined (synchronous - two clock edges)**
The read-address is registered on the read port clock edge and the data is registered and appears at read-data after the second read clock edge. Setting the Pipeline to ON enables this mode.
3. **Write (synchronous - one clock edge)**
On the write clock edge, the write data are written into the USRAM at the write address (when all WENs are high). The setup time of the write address, write enables and write data are minimal with respect to the read clock.

Cascading Blocks

Blocks can be cascaded to create larger sizes. ACTgen performs all the necessary cascading for achieving the desired configuration. To achieve good performance, all cascaded RAM blocks must fit within one RAM column of the selected device. Cascading RAM blocks deep is possible only up to the capacity of one RAM column.

However, if the specified configuration exceeds one RAM column, ACTgen tries to cascade the RAM wide, up to the available RAM Blocks in the device. This results in poorer performance as the RAM blocks are not located close physically.

The WIDTH (word length) and DEPTH (number of words) have continuous values but the choice of WIDTH limits the choice of DEPTH and vice versa.

The Read/Write Width/Depth can be different but the Aspect ratio should be same for both. For example:

$$\text{Read Width} * \text{Read Depth} == \text{Write Width} * \text{Write Depth}$$

The write enable (WE) and read enable (RE) signals are active high or low request signals for writing and reading, respectively; you may choose not to use them. When none is selected for an enable, that operation remains enabled all the time.

For example, if WEN is chosen as none, then write operation of the RAM is enabled all the time.

The write enable (WE) and read enable (RE) signals are active high or low request signals for writing and reading, respectively; you may choose not to use them.

The RCLK and WCLK pins have independent polarity selection.

Conflict Resolution

There is no special hardware for handling read and write operations at the same addresses.

Table 13-2. Port Description

Name	Size	Type	Req/Opt	Function
Data	Write Width	Input	Req	Write Data Port
WAddress	$\log_2(\text{Write Depth})$	Input	Req	Write Address Bus
WE	1	Input	Opt	Write Enable
WClock	1	Input	Req	Write Clock
Q	Read Width	Output	Req	Read Data Port
RAddress	$\log_2(\text{Read Depth})$	Input	Req	Read Address Bus
RE	1	Input	Opt	Read Enable
RClock	1	Input	Req	Read Clock

Table 13-3. Parameter Description

Parameter	Value	Function
WWIDTH	Write Width	Word length of Data
WDEPTH	Write Depth	Number of Write Words
RWIDTH	Read Width	Word length of Q
RDEPTH	Read Depth	Number of Read Words
WE_POLARITY	1 0 2	Write Enable Polarity
RE_POLARITY	1 0 2	Read Enable Polarity
WCLK_EDGE	RISE FALL	Write Clock Edge
RCLK_EDGE	RISE FALL	Read Clock Edge
PIPE	NO YES	Read Pipeline
DEVICE	125 250 500 1000 2000	Target Device, to determine blocks available for cascading

Table 13-4. Implementation Parameters

Parameter	Value	Description
LPMTYPE	LPM_RAM	Generic Dual Port RAM Category

Table 13-5. Parameter Rules

Device	Parameter rules
Accelerator	$RWIDTH * RDEPTH == WWIDTH * WDEPTH$

Axcelerator EDAC RAM

Please refer to the *Using EDAC RAM for RadTolerant RTAX-S FPGAs and Axcelerator FPGAs* application note, available on the Actel website (<http://www.actel.com>), for a complete explanation of the EDAC RAM module.

Features

- 8, 16, 32 bit word width
- Background refresh and variable refresh rate
- EDAC RAM module supports READ and WRITE clocks from the same clock source OR separate READ and WRITE clocks
- EDAC RAM Encoder/Decoder supports correcting one error and detecting two errors, with a coding efficiency of 44-66%
- Variable RAM depth support from 256 to 4k words

Family Support

Axcelerator

Description

The Error Detection and Correction (EDAC) RAM module is designed to provide a transparent RAM interface that supports EDAC. When you use ACTgen to generate an EDAC RAM module it creates a top-level for the EDAC RAM, an Axcelerator RAM block, and the "edaci" module, which handles all the EDAC functionality.

Axcelerator FIFO

Features

- Parameterized word length and FIFO depth
- Dual port synchronous FIFO
- Active High/Low enable
- Static/ Programmable/No Almost empty/full flags
- Full and Empty flags

Family support

Axcelerator

Description

Axcelerator provides dedicated blocks of FIFO. They are actually hardwired using the RAM blocks plus some control logic. Each FIFO block has a read port and a write port. Both ports are configurable (to the same size) to any size from 4Kx1 to 128x36; thereby, allowing built-in bus width conversion (see SRAM Port Aspect Ratio table below). Each port is fully synchronous. The FIFO block offers programmable Almost Empty and Almost Full flags as well as Empty and Full flags. The FIFO block may be reset to the empty state.

Table 13-6. SRAM Port Aspect Ratio

Width	Depth	ADDR Bus	Data Bus
1	4096	ADDR[11:0]	DATA[0]
2	2048	ADDR[10:0]	DATA[1:0]
4	1024	ADDR[9:0]	DATA[3:0]
9	512	ADDR[8:0]	DATA[8:0]
18	256	ADDR[7:0]	DATA[17:0]
36	128	ADDR[6:0]	DATA[35:0]

Cascading Blocks

Blocks can be cascaded to create larger sizes, up to the capacity of one whole column of RAM blocks. ACTgen performs all the necessary cascading for achieving the desired configuration.

The WIDTH (word length) and DEPTH (number of words) have continuous values but the choice of WIDTH limits the choice of DEPTH and vice versa. The write enable (WE) and read enable (RE) signals are active high or low request signals for writing and reading, respectively; you may choose not to use them.

The RCLK and WCLK pins have independent polarity selection.

Table 13-7. Port Description

Name	Size	Type	Req/Opt	Function
Data	Width	Input	Req	Data Port
WE	1	Input	Opt	Write Enable
WClock	1	Input	Req	Write Clock
Q	Width	Output	Req	Q Port
RE	1	Input	Opt	Read Enable
RClock	1	Input	Req	Read Clock
Full	1	Output	Req	Full Flag
Empty	1	Output	Req	Empty Flag
Afval	1-8	Input	Opt	Almost Full, Dynamically programmable
Aeval	1-8	Input	Opt	Almost Empty, Dynamically programmable
AFull	1-8	Output	Opt	Almost Full Flag
AEmpty	1-8	Output	Opt	Almost Empty Flag

Table 13-8. Parameter Description

Parameter	Value	Function
WIDTH	Width	Word length of Data, Q
DEPTH	Depth	FIFO Depth
WE_POLARITY	1 0 2	Write Enable Polarity
RE_POLARITY	1 0 2	Read Enable Polarity
WCLK_EDGE	RISE FALL	Write Clock Edge
RCLK_EDGE	RISE FALL	Read Clock Edge
AEVAL	Almost Empty Value	Almost Empty Flag
AFVAL	Almost Full Value	Almost Full Flag
DEVICE	75 150 300 600 1000 (May change)	Target Device, to determine blocks available for cascading

Table 13-9. Implementation Parameters

Parameter	Value	Description
LPMTYPE	LPM_FIFO	Generic Dual Port FIFO Category
LPM_HINT	STATIC	Static AF/AE Flags
	DYNAMIC	Dynamic AF/AE Flags
	NOFLAGS	No AF/AE Flags

Table 13-10. Parameter Rules

Device	Parameter rules	
	WWIDTH	AEVAL/AFVAL UNITS
Accelerator	000	2^{8-W}
	001	
	010	
	011	
	100	
	101	
	11x	

FIFO Flag Usage

In the Axcelerator FIFO, the AFVAL and AEVAL signals are each 8 bits. The step size of the signal varies based on the aspect ratio to which the FIFO blocks are configured.

For example, if the FIFO is configured in the 128X36 aspect ratio, the step size is 8. That means, if a 00000011 is programmed on the AEVAL, the almost empty flag asserts after $3 \cdot 8 = 24$ words are written. The step sizes can be calculated from the above table for other configurations.

ACTgen automatically adjusts the AF and AE thresholds specified by changing them to the nearest step size. A message is also printed in the log file.

Since 8 is the least step size for AFVAL and AEVAL, static flag configuration is not supported for widths below 8.

When ACTgen is used to configure the FIFO to a depth that is less than the total available depth, FULL flag will not assert at the depth specified in ACTgen. For example, if FIFO is configured to a 250X18, then ACTgen provides a total depth of 256, which is the closest size. FULL flag will assert at 256. ACTgen prints a message in the log file indicating what is the configuration it is providing taking all these details into consideration.

PerPin FIFO

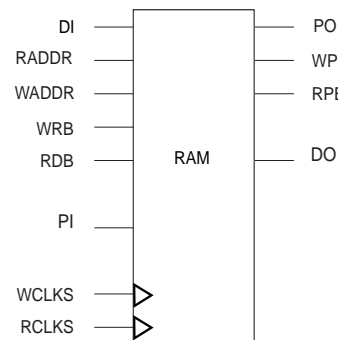
The PerPin FIFO macro is included in the IOs section of the manual on page 73.

Memory Macros for Flash Devices

Synchronous/Asynchronous Dual Port RAM for Flash

Features

- Parameterized word length and depth
- Dual port RAM architecture
- Asynchronous, synchronous-transparent or synchronous-pipelined read
- Asynchronous, or synchronous write
- Parity check or generate, both even and odd
- Supported netlist formats: EDIF, VHDL and Verilog



Family Support

500K, PA

Description

There is no limitation for depth and width. However, it is your responsibility to insure that the RAM's used in a design can physically fit on the device chosen for the design.

Table 14-1. Port Description

Port Name	Size	Type	Req/Opt?	Function
DI	WIDTH	input	Req.	Input Data
RADDR	log ² (DEPTH)	input	Req.	Read Address
WADDR	log ² (DEPTH)	input	Req.	Write Address
WRB	1	input	Req.	Write pulse (active low)
RDB	1	input	Req.	Read pulse (active low)
WCLK	1	input	Req.	Write Clock (active high)
RCLK	1	input	Req.	Read Clock (active high)
DO	WIDTH	output	Req.	Output data

Table 14-1. Port Description (Continued)

PI	WIDTH	input	Opt.	Input parity bits
PO	log2(WIDTH)	output	Opt.	Parity bits
WPE	1	output	Opt.	Write parity error flag
RPE	1	output	Opt.	Read parity error flag

Table 14-2. Parameter Description

Parameter	Value	Function
WIDTH	width	Word length of DI and DO
DEPTH	depth	Number of RAM words
RDA	async transparent pipelined	Read Data Access
WRA	async sync	Write Data Access
OPT	speed area	Optimization
PARITY	checkeven check-odd geneven genodd none	Parity check or parity generation

Table 14-3. Implementation Parameters

Parameter	Value	Description
LPMTYPE	LPM_RAM_DQ	Generic Dual Port RAM category

Timing Waveforms

Please refer to the timing waveforms presented in the datasheets for Flash devices.

Register File for Flash Devices

Features

- Parameterized word length and depth
- Two port asynchronous register file
- Rising edge triggered or level-sensitive
- Supported netlist formats:
VHDL and Verilog

Family support

500K, PA



Description

Distributed memory can be generated as a two port asynchronous register file or as an asynchronous FIFO. Distributed memories are made up of the logic tiles of the device. These memory files are netlists consisting of logic tiles and do not use embedded memory cells.

Please refer to “Memory in Flash” on page 170 for more detailed descriptions of Flash Distributed Memories.

Table 14-4. Port Description

Port Name	Size	Type	Req/Opt?	Function
wData<i>	1	Input	Req.	Input (Write) Data (i = 0 .. WIDTH-1)
wAddr<i>	1	Input	Req.	Write Address (i = 0 .. log2(WIDTH)-1)
rAddr<i>	1	Input	Req.	Read Address (i = 0 .. log2(WIDTH)-1)
WR	1	Input	Req.	Write Clock/Pulse (rising edge triggered or level sensitive)
rData<i>	1	Output	Req.	Output (Read) Data (i = 0 .. WIDTH-1)

Table 14-5. Parameter Description

Parameter	Value	Function
WIDTH	See “Parameter Rules”	Word length input/output data

Table 14-5. Parameter Description

DEPTH	2.48	Number of words for APA150
	2..64	Number of words for all other devices
TRIGGER	edge , level	Select between rising edge triggered and level sensitive write clock

Table 14-6. Implementation Parameters

Parameter	Value	Description
LPMTYPE	LPM_DIST_RAM	Generic Register File category
LPM_HINT	RAM_DISTH<#>	Horizontal Orientation; # represents the part number, and can be 050, 130, 180, 270 for 500K 150, 300, 450, 600, 750, 1000 for PA
	RAM_DISTV<#>	Vertical Orientation

Table 14-7. Parameter Rules

Device	Orientation	Parameter rules
A500K050	Horizontal	WIDTH = 2..30
	Vertical	WIDTH = 2..46
A500K130	Horizontal	WIDTH = 2..38
	Vertical	WIDTH = 2..78
A500K180	Horizontal	WIDTH = 2..46
	Vertical	WIDTH = 2..94
A500K270	Horizontal	WIDTH = 2..58
	Vertical	WIDTH = 2..110
APA150	Horizontal	WIDTH = 2..22
	Vertical	WIDTH = 2..62
APA300	Horizontal	WIDTH = 2..30
	Vertical	WIDTH = 2..62
APA450	Horizontal	WIDTH = 2..30
	Vertical	WIDTH = 2..94
APA600	Horizontal	WIDTH = 2..46
	Vertical	WIDTH = 2..110

Table 14-7. Parameter Rules (Continued)

Device	Orientation	Parameter rules
APA750	Horizontal	WIDTH = 2..62
	Vertical	WIDTH = 2..126
APA1000	Horizontal	WIDTH = 2..78
	Vertical	WIDTH = 2..174

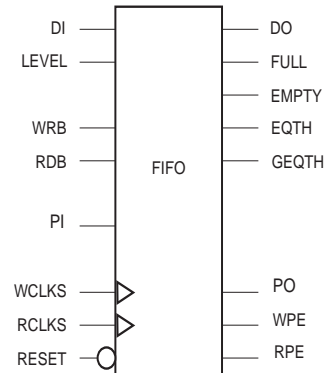
Timing Waveforms

Please refer to the timing waveforms presented in “Memory in Flash” on page 170 for more information.

Synchronous/Asynchronous Dual Port FIFO for Flash Devices

Features

- Parameterized word length and depth
- Dual port RAM architecture
- Asynchronous, synchronous transparent or synchronous pipelined read
- Asynchronous, or synchronous write
- Parity check or generate, both even and odd
- Supported netlist formats: EDIF, VHDL and Verilog



Family support

500K, PA

Description

There is no limitation for depth and width. However, it is your responsibility to insure that the FIFOs used in a design can physically fit on the device chosen for the design.

Table 14-8. Port Description

Port Name	Size	Type	Req/Opt?	Function
DI	WIDTH	input	Req.	Input Data
LEVEL	8 ^a	input	Opt.	Defines level when EQTH and GEQTH should react (hardcoded for static trigger Level)
WRB	1	input	Req.	Write pulse (active low)
RDB	1	input	Req.	Read pulse (active low)
WCLK	1	input	Req.	Write Clock (active high)
RCLK	1	input	Req.	Read Clock (active low)
RESET	1	input	Req.	Reset for FIFO pointers (active low)
DO	WIDTH	output	Req.	Output data

Table 14-8. Port Description (Continued)

EMPTY	1	output	Req.	Empty flag
FULL	1	output	Req.	Full flag
EQTH	1	output	Req.	Flag is true when FIFO hold (LEVEL) words
GEQTH	1	output	Req.	Flag is true when FIFO hold (LEVEL) words or more
PI	WIDTH	input	Opt.	Input parity bits
PO	\log^2 (WIDTH)	output	Opt.	Parity bits
WPE	1	output	Opt.	Write parity error flag
RPE	1	output	Opt.	Read parity error flag

a. LEVEL is always 8 bits. That means for values of DEPTH greater than 256 not all values will be possible, e.g. for DEPTH =512 LEVEL can have the values 2, 4, ... , 512. This holds true only to dynamically triggered FIFO. For a static trigger, all values of the depth are possible. In the case of dynamic trigger only values that are divisible by the number of 256X9 FIFO blocks cascaded to achieve the required depth are possible.

For example, for a depth of 512, which uses 2 256 blocks in cascade, only multiples of 2 are possible. For depth of 768, which uses 3 blocks, multiples of 3 are the only values possible for the LEVEL threshold.

Table 14-9. Parameter Description

Parameter	Value	Function
WIDTH	width	Word length of DI and DO
DEPTH	depth	Number of RAM words
RDA	async transparent pipelined	Read Data Access
WRA	async sync	Write Data Access
OPT	speed area	Optimization
PARITY	checkeven checkodd geneven genodd none	Parity check or parity generation

Table 14-10. Implementation Parameters

Parameter	Value	Description
LPMTYPE	LPM_FIFO_DQ	Generic FIFO category

Table 14-10. Implementation Parameters (Continued)

LPM_HINT	FIFO_DYN	FIFO with dynamic trigger level
LPM_HINT	FIFO_STATIC	FIFO with static trigger level

Table 14-11. Parameter Rules for FIFO with static trigger level

Parameter Rules
LEVEL <= DEPTH
If DEPTH > 256 not all values for LEVEL will be available (automatic value correction)
This holds true only to dynamically triggered FIFO. For a static trigger, all values of the depth are possible. In the case of dynamic trigger only values that are divisible by the number of 256X9 FIFO blocks cascaded to achieve the required depth are possible. For example, for a depth of 512, which uses 2 256 blocks in cascade, only multiples of 2 are possible. For depth of 768, which uses 3 blocks, multiples of 3 are the only values possible for the LEVEL threshold.

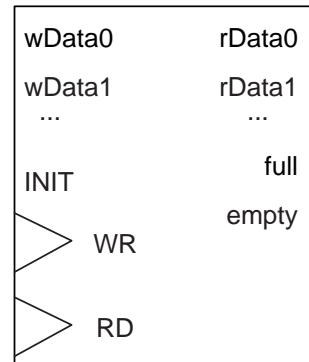
Timing Waveforms

Please refer to the timing waveforms in the Flash device datasheets.

FIFO Using Distributed Memory for Flash

Features

- Parameterized word length and depth
- Asynchronous FIFO
- Asynchronous, or synchronous write
- Rising edge triggered or level sensitive
- Supported netlist formats:
VHDL and Verilog



Family support

500K, PA

Description

Distributed memory can be generated as a two port asynchronous register file or as an asynchronous FIFO. Distributed memories are made up of the logic tiles of the device. These memory files are netlists consisting of logic tiles and do not use to embedded memory cells.

Please refer to “Memory in Flash” on page 170 for more detailed descriptions of Flash Distributed Memories.

Table 14-12. Port Description

Port Name	Size	Type	Req/Opt?	Function
wData<i>	1	Input	Req.	Input (Write) Data (i = 0 .. WIDTH-1)
INIT	1	Input	Req.	FIFO initialization
WR	1	Input	Req.	Write Clock/Pulse (rising edge triggered or level sensitive)

Table 14-12. Port Description (Continued)

Port Name	Size	Type	Req/Opt?	Function
RD	1	Input	Req.	Read Clock/Pulse (rising edge triggered or level sensitive)
rData<i>	1	Output	Req.	Output (Read) Data (i = 0 .. WIDTH-1)
full	1	Output	Req.	Full Flag
empty	1	Output	Req.	Empty Flag

Table 14-13. Parameter Description

Parameter	Value	Function
WIDTH	See "Parameter Rules"	Word length input/output data
DEPTH	2..64	Number of words
TRIGGER	edge , level	Select between rising edge triggered and level sensitive write clock

Table 14-14. Implementation Parameters

Parameter	Value	Description
LPMTYPE	LPM_DIST_FIFO	Generic distributed FIFO category
LPM_HINT	FIFO_DISTH<#>	Horizontal Orientation # represents the part number and can be 050, 130, 180, 270 for 500K 150, 300, 450, 600, 750, 1000 for PA
	FIFO_DISTV<#>	Vertical Orientation

Table 14-15. Parameter Rules

Device	Orientation	Parameter Rules
A500K050	Horizontal	WIDTH = 2..62, DEPTH = 2..36
	Vertical	WIDTH = 2..94, DEPTH = 2..23
A500K130	Horizontal	WIDTH = 2..78, DEPTH = 2..62
	Vertical	WIDTH = 2..158, DEPTH = 2..29
A500K180	Horizontal	WIDTH = 2..94, DEPTH = 2..74
	Vertical	WIDTH = 2..190, DEPTH = 2..36
A500K270	Horizontal	WIDTH = 2..118, DEPTH = 2..80
	Vertical	WIDTH = 2..222, DEPTH = 2..45
APA150	Horizontal	WIDTH = 2..46, DEPTH = 2..49
	Vertical	WIDTH = 2..126, DEPTH = 2..16
APA300	Horizontal	WIDTH = 2..62, DEPTH = 2..49
	Vertical	WIDTH = 2..126, DEPTH = 2..23
APA450	Horizontal	WIDTH = 2..62, DEPTH = 2..74
	Vertical	WIDTH = 2..190, DEPTH = 2..23
APA600	Horizontal	WIDTH = 2..94, DEPTH = 2..80
	Vertical	WIDTH = 2..222, DEPTH = 2..36
APA750	Horizontal	WIDTH = 2..126, DEPTH = 2..80
	Vertical	WIDTH = 2..254, DEPTH = 2..49
APA1000	Horizontal	WIDTH = 2..158, DEPTH = 2..80
	Vertical	WIDTH = 2..350, DEPTH = 2..62

Timing Waveforms

Please refer to the timing waveforms presented in “Memory in Flash” on page 170 for more information.

Memory in Flash

This appendix describes how to instantiate the memories generated by ACTgen into the design source code, simulate and synthesize the design, and import the netlist into Designer. It includes a description of ProASIC dedicated memory blocks and all their possible configurations.

Embedded Memory

Flash devices contain dedicated embedded memory blocks and standard logic cells called tiles. Each block can be configured to one of 24 functions, as shown in Table A-1 on page 171. Each memory block is 256 words deep and 9 bits wide, for a total of 2304 bits of memory per basic memory block. Every memory block may be configured independently as a two-port SRAM or a FIFO.

There are separate and independent read and write ports allowing simultaneous ports access. The ports can be synchronous or asynchronous. This allows the option of using an asynchronous write and a synchronous read port. Synchronous output ports can be configured to either act like a transparent synchronous port or like a pipelined synchronous port. Additionally in all modes, a parity bit (9th bit) can be checked or generated within the memory. Parity check can be performed while writing and reading data without using additional logic. The result of these checks is returned by two independent signals “WPE” and “RPE” (Write Parity Error and Read Parity Error). Parity can also be generated while reading data.

Embedded Memory Configurations

The ability to generate additional status signals besides the standard “EMPTY” and “FULL” signals is also built into the FIFOs. By providing a level signal, the circuit also generates signals that indicate whether the FIFO is filled less, filled equally, and filled higher than the specified level. For a description of what functions each FIFO has in each configuration see the Actel *Macro Library Guide*. There are 24 different

memory configurations that ACTgen can generate. Table A-1 lists those configurations. .

Table A-1. Embedded Memory Block Configurations

Type	Write Access	Read Access	Parity	Library Cell Name
RAM	Asynchronous	Asynchronous	Checked	RAM256x9AA
RAM	Asynchronous	Asynchronous	Generated	RAM256x9AAP
RAM	Asynchronous	Synchronous Transparent	Checked	RAM256x9AST
RAM	Asynchronous	Synchronous Transparent	Generated	RAM256x9ASTP
RAM	Asynchronous	Synchronous Pipelined	Checked	RAM256x9ASR
RAM	Asynchronous	Synchronous Pipelined	Generated	RAM256x9ASRP
RAM	Synchronous	Asynchronous	Checked	RAM256x9SA
RAM	Synchronous	Asynchronous	Generated	RAM256x9SAP
RAM	Synchronous	Synchronous Transparent	Checked	RAM256x9SST
RAM	Synchronous	Synchronous Transparent	Generated	RAM256x9SSTP
RAM	Synchronous	Synchronous Pipelined	Checked	RAM256x9SSR
RAM	Synchronous	Synchronous Pipelined	Generated	RAM256x9SSRP
FIFO	Asynchronous	Asynchronous	Checked	FIFO256x9AA
FIFO	Asynchronous	Asynchronous	Generated	FIFO256x9AAP
FIFO	Asynchronous	Synchronous Transparent	Checked	FIFO256x9AST
FIFO	Asynchronous	Synchronous Transparent	Generated	FIFO256x9ASTP
FIFO	Asynchronous	Synchronous Pipelined	Checked	FIFO256x9ASR
FIFO	Asynchronous	Synchronous Pipelined	Generated	FIFO256x9ASRP
FIFO	Synchronous	Asynchronous	Checked	FIFO256x9SA
FIFO	Synchronous	Asynchronous	Generated	FIFO256x9SAP
FIFO	Synchronous	Synchronous Transparent	Checked	FIFO256x9SST
FIFO	Synchronous	Synchronous Transparent	Generated	FIFO256x9SSTP
FIFO	Synchronous	Synchronous Pipelined	Checked	FIFO256x9SSR
FIFO	Synchronous	Synchronous Pipelined	Generated	FIFO256x9SSRP

Naming Conventions

The HDL models for each of the 24 possible configurations are included in the ProASIC simulation and synthesis library. The function and timing of each model is described in detail in the Actel *Flash Macro Library Guide* and the datasheets for Flash devices. The modules are named according to the following convention:

```
<MEM-TYPE><256x9><WRITE-ACCESS><READ-ACCESS><PARITY>
```

```
<MEM-TYPE>      := RAM or FIFO;
<WRITE-ACCESS>  := A, S;
    A           := asynchronous;
    S           := synchronous;
<READ-ACCESS>   := A, ST, SR;
    A           := asynchronous;
    ST          := synchronous transparent;
    SR          := synchronous registered;
<PARITY>        := P or nothing;
    P           := parity will be generated;
    nothing     := parity will be checked;
```

For example, the name of a FIFO with an asynchronous write and a synchronous transparent read mode with parity check is “FIFO256x9AST.” Or a synchronous registered RAM with parity bit generation would be named “RAM256x9SSRP.”

Integrating Memories into a Design

This section provides examples of how to integrate a Verilog or VHDL memory netlist into a design. Once ACTgen has generated the memories you must incorporate the netlist into your design before simulation and synthesis. ACTgen generates a netlist file with the .v, .vhd or .edn extension and a constraint file with the .gcf extension, which is no longer needed to perform automatic place-and-route of the memories.

Example Verilog RAM 512x32

The following is a Verilog netlist generated by ACTgen for a 512x32 bit RAM:

```
'timescale 1ns/10ps
// Name = ram512x32
// type = RAM
// width = 32
// depth = 512
// part family = A500K
// output type = asynchronous
// optimization = speed
// input type = synchronous
// parity control = ignore
// Write = active low
// Read = active low
// Write clock = posedge

module ram512x32(DO, WCLOCK, DI, WRB, RDB, WADDR, RADDR);
    output [31:0] DO;
    input WCLOCK;
    input [31:0] DI;
    input WRB;
    input RDB;
    input [8:0] WADDR;
    input [8:0] RADDR;

    GND U1(.Y(VSS));
    RAM256x9SA M0(.WCLKS(WCLOCK), .DO8(n27), .DO7(n24), .DO6(n21),
    .DO5(n18),
    .....
    //memory blocks instantiation

endmodule
```

The following is an example of how to instantiate a ram512x32 module into a design:

```
ram512x32 MY_RAM_INST(.DO(data_out),.WCLOCK(clk),
    .DI(data_in), .WRB(wrb), .RDB(rdb),.WADDR(write_add),
    .RADDR(read_add));
```

After instantiating the memory into the Verilog source code, the next step is to simulate and synthesize the design. Before synthesizing the design, make sure that the “dont_touch” attribute is set on all memories generated by ACTgen.

Refer to the the documentation included with your synthesis tool for additional information on how to apply a “dont_touch” attribute on a memory block.

VHDL RAM Example

The following is a VHDL example of the previously generated memory:

```
-- Name = ram512x32
-- type = RAM
-- width = 32
-- depth = 512
-- part family = A500K
-- output type = asynchronous
-- optimization = speed
-- input type = synchronous
-- parity control = ignore
-- Write = active low
-- Read = active low
-- Write clock = posedge

entity ram512x32 is
port(DO      : out std_logic_vector (31 downto 0);
     WCLOCK  : in  std_logic;
     DI      : in  std_logic_vector (31 downto 0);
     WRB     : in  std_logic;
     RDB     : in  std_logic;
     WADDR   : in  std_logic_vector (8  downto 0);
     RADDR   : in  std_logic_vector (8  downto 0));

end ram512x32;
```

The entity describes the interface of the module that must be instantiated into the VHDL design source code. Besides the actual connection of the interface, VHDL requires an additional declaration of the sub-module in the architecture. The following is an example of an architecture declaration including the declaration of the memory as a component:

```
architecture STRUCT_ram512x32 of ram512x32 is
component PWR
    port(Y : out std_logic);
end component;

component GND
    port(Y : out std_logic);
end component;
```

```

component RAM256x9SA
  port(WCLKS : in std_logic;
        DO8  : out std_logic;
        DO7  : out std_logic;
        .....
  );
end component;
.....
begin
  .....
  M0 : RAM256x9SA port map(WCLKS => WLOCK, DO8 => n27, DO7
=> n24,
  .....
end STRUCT_ram512x32;

```

Importing the Netlist into Designer

After synthesis, a design is translated into either a Verilog, VHDL, or an EDIF netlist. The netlist includes all logic blocks as well as the memories. To import the netlist file(s) into Designer, refer to the Designer online help. .

Table A-2. Possible RAM Locations for the A500K Family

Part	possible RAM locations	formula
A500K050	(1,57), (17, 57), ..., (81, 57)	$x = 16*n+1; n = \{0,1,2,3,4,5\}; y = 57;$
A500K130	(1,81), (17, 81), ..., (145,81) (1,89), (17, 89), ..., (145,89)	$x = 16*n+1; n = \{0,1,2,3,4,5,6,7,8,9\}$ $y = \{81, 89\}$
A500K180	(1,97), (17,97), ..., (177, 97) (1,105), (17,105), ..., (177, 105)	$x = 16*n+1; n = \{0,1,2,3,4,5,6,7,8,9,10,11\}$ $y = \{97, 105\}$
A500K270	(1,121), (17,121), ..., (209,121) (1,129), (17,129), ..., (209,129)	$x = 16*n+1; n = \{0,1,2,3,4,5,6,7,8,9,10,11,12,13\}$ $y = \{121, 129\}$

Designer automatically places the memories serially. If you want to place memories in any other way, use manual memory placement, as described in the next section.

Note: If you use the previous memory modules in a synthesis flow, make sure that you set “dont_touch” attributes on the modules generated by

ACTgen. Otherwise, the names of these modules may be changed and Designer cannot find the memory modules to be placed in the netlist.

Manual Memory Placement

For manual placement, a .gcf constraints file must be created. The following is an example of a manually created placement file for a A500K130 device.

```
set_location (1,81) <hier_instance_name>/M0;  
set_location (1,89) <hier_instance_name>/M1;  
set_location (33,89) <hier_instance_name>/M2;  
set_location (33,81) <hier_instance_name>/M3;
```

The (x,y) coordinates are device dependent. If wrong coordinates are entered, Designer reports about wrong coordinates and displays a list of valid coordinates for the selected device. Refer to Table A-2 on page 175 for valid coordinates for each device.

Distributed Memory

This section describes the distributed memory architecture and how to use ACTgen to create distributed memories for Flash devices.

Distributed Memory Architecture

Distributed memory can be generated as a two port asynchronous register file or as an asynchronous FIFO. Distributed memories are made up of the logic tiles of the device. These memory files are netlists consisting of logic tiles and do not use embedded memory cells.

The Register File

The register file has independent read and write ports. The read port is asynchronous so the read data is not clocked and is available a short time after the read address changes. The write port is also asynchronous and data is written on the active edge of WR. The write operation can be either level sensitive or edge-sensitive. The schematic of a 2x2 memory is shown in Figure A-1 on page 177. The schematic is marked to show the words (vertical slices), the bits (horizontal slices) and the decoders (one per word). The register file

memory requires 1 column per word and 2 rows per bit plus from 1 to 3 rows for the necessary decoders.

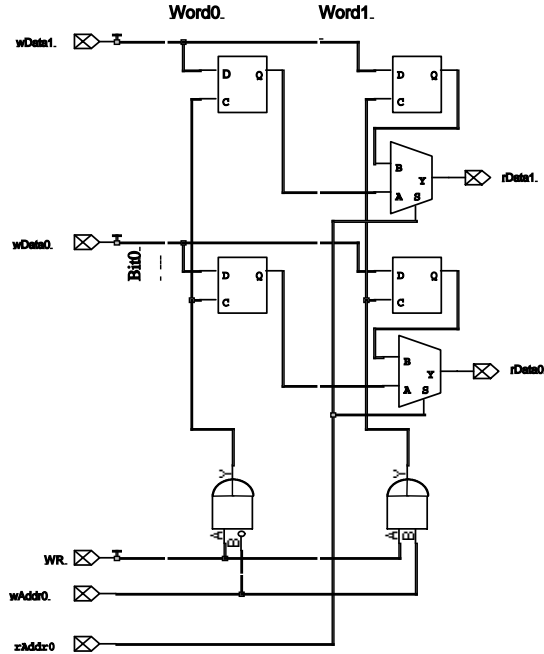


Figure A-1. 2x2 Register File Schematic

Distributed FIFO

A Distributed FIFO also has independent read and write ports. However, it has no address ports. Instead, the FIFO keeps track of the addresses internally. The FIFO is organized with words in columns and data bits in rows. The top row consists of the write addressing circuitry and the “full” detection circuitry. The second row consists of the read addressing circuitry and the “empty” detection circuitry. The FIFO requires two columns per word plus an overhead for decoders and flag generation that is a minimum of three columns. The FIFO

also requires one row per bit plus an overhead of two rows. Figure A-2 shows the schematic of a 2x2 FIFO.

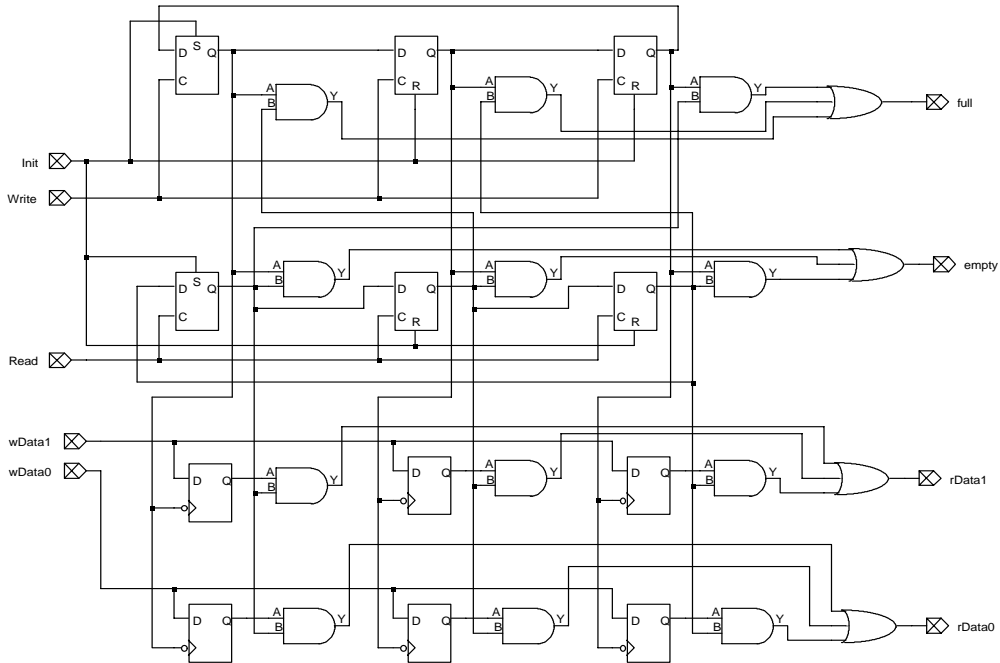


Figure A-2. 2x2 FIFO Schematic

Determining Tile Usage

ProASIC parts tend to have more tiles horizontally. The choice of orientation affects the allowable size of the memory. A horizontal memory allows the maximum possible number of words. A vertical memory allows the maximum number of bits per word. ACTgen can create register files of up to 64 words on any possible ProASIC device. Distributed memories are created using logic tiles and are generally slower and larger compared to embedded RAM. Actel recommends that larger memories be implemented with embedded memory.

The maximum distributed FIFO sizes in any ProASIC device is 80 words. The maximum RAM and FIFO sizes are shown in Table A-3.

Table A-3. Maximum RAM and FIFO Dimensions

Device	Vertical		Horizontal	
	Words	Width	Words	Width
A500K050	64 (23) ¹	46 (94)	64 (36)	30 (62)
A500K130	64 (29)	78 (158)	64 (62)	38 (78)
A500K180	64 (36)	95 (192)	64 (75)	46 (94)
A500K270	64 (45)	110 (222)	64 (80)	58 (118)
APA	64 (45)	110 (222)	64 (80)	58 (118)

1. Numbers in parentheses are for FIFOs.

The orientation of the register file affects how it is placed. Horizontal register files are placed with words in columns and bits in rows as shown in Figure A-3.

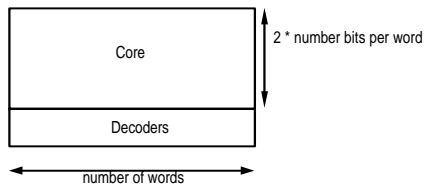


Figure A-3. Horizontal Memory

Vertical memories are placed with bits in columns and words in rows as shown in Figure A-4.

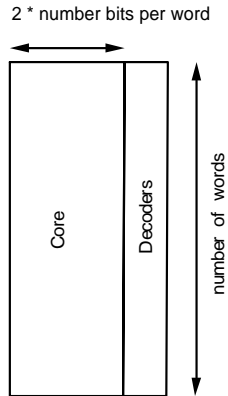


Figure A-4. Vertical Memory

The decoder sizes are given in table Table A-4.

Table A-4. Decoder Sizes

Number of Words	Decoder Size
2 ~ 4	1
5 ~ 8	2
9 ~ 64	3

Calculating Logic Usage

The following section presents how to calculate logic usage for Memory area, and a vertical and a horizontal memory.

Memory Area

The following is an example of how to calculate memory area:

$$\text{Memory Area} = \text{Number of Words} \\ (2 * \text{Number of bits} + \text{decoder size})$$

Vertical Orientation

The following is an example logic usage calculation for a 16x32 RAM:

$$\begin{aligned} \text{Width in tiles} &= 2 * \text{number-of-Bits-per-word} + \text{decoder size} \\ &= 2 * 32 + 3 = 67 \end{aligned}$$

$$\text{Height in tiles} = \text{number-of-words} = 16$$

Horizontal Orientation

The following is a an example logic usage calculation for a 16x32 RAM:

$$\text{Tiles in Width} = \text{Number-of-Words} = 16$$

$$\begin{aligned} \text{Tiles in Height} &= 2 * \text{number-of-bits-per-word} + \text{decoder size} \\ &= 2 * 32 + 3 = 67 \end{aligned}$$

ACTgen displays the legal coordinates to place the memory if the macro is not rotated or flipped. The horizontal could be placed between the coordinates (1,1) and (145, 15) assuming the A500K130 device was selected.

Distributed Memory Placement

To achieve the best timing and efficient placement, use the placement constraints file generated by ACTgen. For more information on constraint statements, refer to the *Actel Quick Start Guide*. To utilize this file, use the “set_location” constraint statement for macros. For example:

```
set_location (x,y) <mem_hier_name> <macro_name>;
```

Distributed Memory Timing

Memory timing values are dependent on the memory size and the routing to and from the memory. Since the memories are implemented as ProASIC primitives, users can determine the timing characteristics of the circuit by performing a back annotated timing analysis. In fact, to the timing analyzer, the distributed memory looks like any other part of the circuit and requires no special treatment. “Timing for Distrubuted Memories” on page 182 explains the critical timing paths in each memory, and why these paths are critical.

Distributed Memory Generation and Instantiation

Consider the following hierarchical design, which instantiates a 16x32 memory as shown in Figure A-5.

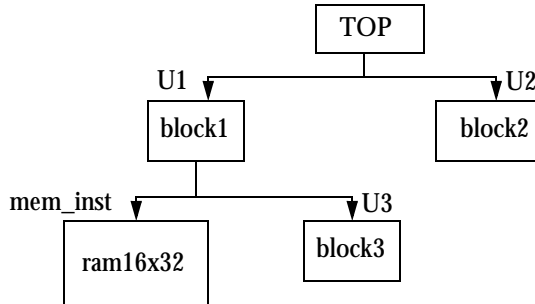


Figure A-5. Design Example

Simulation and Synthesis

After instantiating a memory into the design, simulate and synthesize it. Memory models are included into the simulation and synthesis libraries. Refer to the documentation included with your simulation and synthesis tools for additional information. During synthesis make sure that the “dont_touch” attribute is set on all memories generated by ACTgen.

Place-and-Route

After synthesis, a netlist is written out that contains the embedded memories and the logic of a design. Designer treats the memory as a macro and places it in a rectangle with the bottom-left corner on tile coordinate (10,10). Memory can be moved on the die by changing this coordinate.

Note: Distributed memory contains very high fanout nets so, if you do not use the above placement constraints, memory timing will be sub-optimal or the design may not route.

Timing for Distrubuted Memories

The following chapter describes the timing parameters for the level sensitive register file, and edge-triggered register file. It also includes information about edge-triggered FIFOs.

Level-sensitive Register File

The level-sensitive register file has three main timing parameters.

- T_{acc} - time from stable read-address to output data valid
- T_{setup_data} - time from stable write-data to falling edge of WR
- T_{setup_addr} - time from stable write-address to rising clock edge

Figure A-6 shows the timing of these parameters:

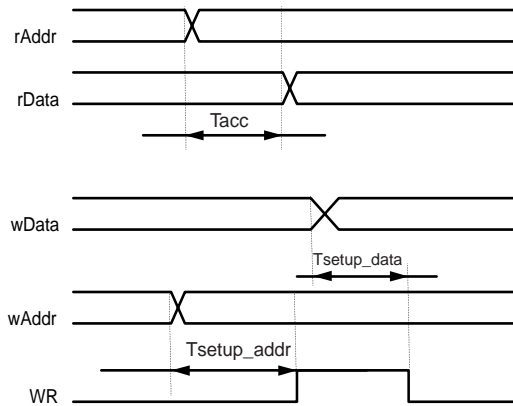


Figure A-6. Level-sensitive Mode Timing Diagram

Failure to meet these timing values will have the following results:

- T_{acc} - read data might be from previous address
- T_{setup_data} - data may not be written into the memory
- T_{setup_addr} - data may be written into some other address as well as the intended address

Edge-triggered Register File

The edge-triggered register file has three main timing parameters:

- T_{acc} - time from stable read-address to output data valid
- T_{setup_data} - time from stable write-data to rising WR edge
- T_{setup_addr} - time from stable write-address to rising WR edge

Figure A-7 shows the relationships of the signals.

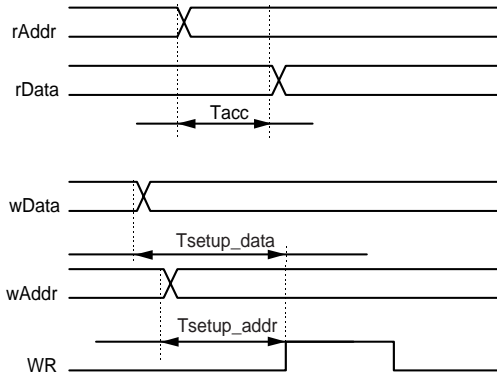


Figure A-7. Edge-triggered Mode Timing Diagram

Failure to meet these timing values will have the following results:

- T_{acc} - read data might be from previous address
- T_{setup_data} - data may not be written into the memory
- T_{setup_addr} - data may be written into some other address

The main advantage of the edge-triggered memory is that the write timing is sensitive only to the rising edge of the WR, not both the rising and falling edges.

Edge-Triggered FIFO

The edge-triggered FIFO captures data on the rising edge of the “WR” signal, and the read pointers advance on the rising edge of the “RD” signal. Before using the FIFO, it must be initialized by pulsing the “INIT” signal high. Immediately after initialization, the “empty” signal is true and the “full” signal false. Data applied on the “wDataX” signals are captured when the “WR” signal transitions from 0 to 1. Simultaneously, the “empty” signal will become false to indicate that there is valid data on “rDataX.” Further transitions from 0 to 1 on “WR” captures more data into the FIFO until such time as “full” becomes true. At this point, the FIFO is full, and no more data should be entered into it.

After the FIFO is initialized, the output data remains invalid until the first read operation is performed. With every rising edge of the read pulse, the FIFO

generates the next word written into it on the output data bus until all the words written into it are read out. At this point the “empty” signal goes high. Further read operations produce no change to the data output as it remains fixed at the last word written into the FIFO.

Figure A-8 shows an example of an Edge triggered FIFO. It has the following main timing:

- T_{acc} - Access from RD rising edge to output data valid
- T_{acc} - Access from RD rising edge to output data valid
- T_{su} - Setup time from stable write-data to rising WR edge
- T_{hold} - Hold time for write-data from rising WR edge

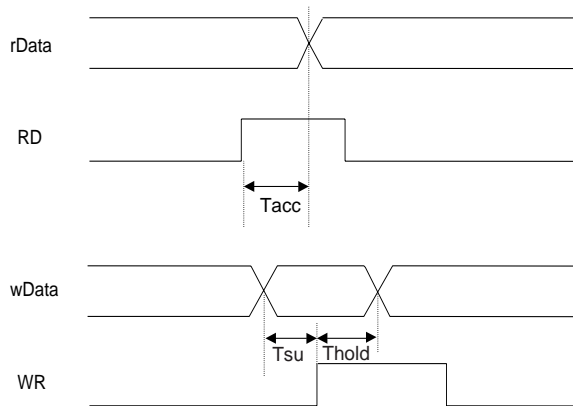


Figure A-8. Edge-triggered FIFO Timing Diagram

Level Sensitive FIFO

The level sensitive FIFO has the same timing as the edge-triggered FIFO. The only difference is that the data input is latched at the falling edge of the write pulse.

Using Multiple Memories in a Design

This chapter describes how to use multiple memories in a design. If a design includes several memories with different sizes and access modes, Actel

recommends generating them all in one session of ACTgen. The embedded memories are automatically generated and are accompanied by placement directives.

Multiple Memory Generation and Integration

ProASIC devices contain dedicated embedded memory blocks that can be configured as RAM or FIFO. Multiple memory blocks can be combined together to create deep and wide memories. ACTgen does this by combining multiple memory blocks as required. The tool generates netlists for these blocks. Netlist instantiates memory leaf cells. Consider the following design shown in Figure A-9.

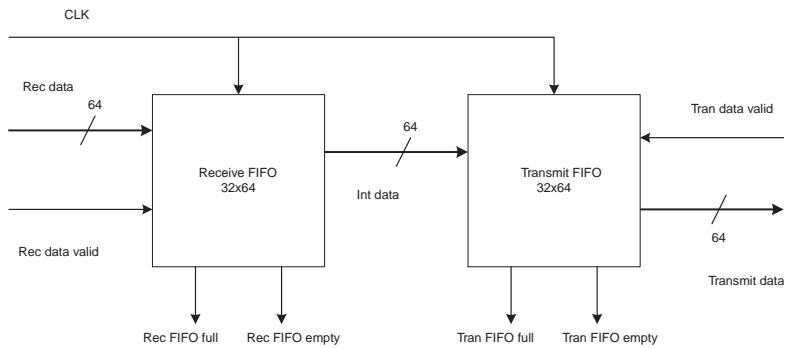


Figure A-9. Sample Design

In this design, there is a receive FIFO and transmit FIFO. Read and Write ports are synchronous. Each FIFO is 32 words deep and 64 bits wide. Also, both FIFOs are identical. Only one FIFO needs to be created with ACTgen, and it must be instantiated twice into the design.

Once the FIFO is generated with ACTgen, it must be instantiated into the design. The following is an example of the RTL after instantiation:

```
module top(tran_data, rec_data, rec_data_valid,
          tran_data_valid, clk, reset, rec_fifo_full,
          rec_fifo_empty, tran_fifo_full, tran_fifo_empty);
  // this is top level module
  input rec_data_valid, clk, reset, tran_data_valid;
  output[63:0] tran_data;
  output rec_fifo_full, rec_fifo_empty, tran_fifo_full,
  tran_fifo_empty;
```

```
input[63:0] rec_data;
wire[63:0] data_int;
/* Receiver FIFO instantiation */
sync_fifo rec_FI(.data_in(rec_data),.data_out(data_int),
                .wr(rec_data_valid), .rd(1'b0),
                .empty(rec_fifo_empty), .full(rec_fifo_full),
                .reset(reset), .clk(clk));
/* transmit FIFO instantiation */
sync_fifo tran_FI(.data_in(data_int),
                 .data_out (tran_fifo_full)
                 .wr(1'b0), .rd(tran_data_valid),
                 .empty(tran_fifo_empty), .full(tran_fifo_full),
                 .reset(reset), .clk(clk));
/* other RTL of the design and other blocks */

endmodule

module sync_fifo (data_in, data_out, wr, rd, empty, full,
                 reset, clk);
input[63:0] data_in;
output[63:0] data_out;
input wr, rd,clk, reset;
output empty, full;
/* Instantiation of FIFO generated from ACTgen */fifo32x64
FI(.DO(data_out), .RCLOCK(clk), .WCLOCK(clk),
   .DI(data_in), .WRB(wr), .RDB(rd), .RESET(reset),
   .FULL(full), .EMPTY(empty), .EQTH(), .GEQTH());

endmodule
```

Simulate and Synthesize

Now the design can be simulated and synthesized. The following is an example of a Verilog-XL simulation command:

```
verilog test_sim.v top.v fifo32x64.v -v
$AMHHOME/etc/deskits/verilog/lib/A500K.v
```

The following is a typical Design Compiler script for synthesis of a design including memory blocks:

```
read -format verilog fifo32x64
set_dont_touch find(design, "fifo32x64") /* memories must be
dont_touch during synthesis */
read -format verilog top.v
create_clock -period 20 clk /* add timing constraints */
set_wire_load A500K
set_operating_conditions WORST
compile
set_port_is_pad "" /* use set_pad_type to to use a particular
type of pad */
insert_pads
write -format verilog -hierarchy -output top_str.v /* write
out netlist with hierarchy */
quit
```

Memory Placement

The netlist “top_str.v” contains both FIFO instantiations and can be used for post synthesis gate level simulation. After synthesis, you can place and route the design. In this example, each FIFO uses 8 memory blocks. Designer automatically attempts to place each FIFO in a line. The resulting placement on an A500K130 device, which has 20 memory slots, is shown in Figure A-10 on page 189. For information about the ChipEdit tool, refer to the *ChipEdit User's Guide* or the ChipEdit online help.

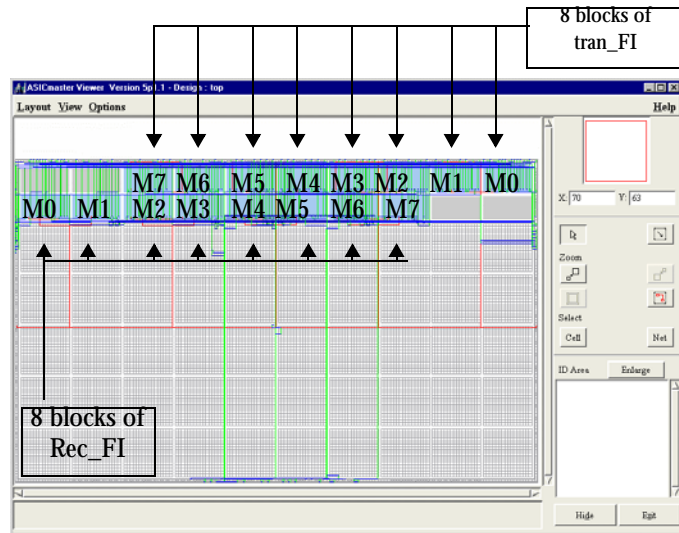


Figure A-10. Sample Memory Placement (Screen May Vary Slightly)

During placement Designer attempts to keep one memory entity in one group. In the example shown in Figure A-10, it placed the “Rec_FI/F1/M0” in the first memory slot on the left side of the lower row, and “rec_FI/F1/M1” in next slot and so on. Only ten slots were available in one row and therefore, the placement of “tran_FI” started from the upper row. If each memory block had used four blocks, both memory blocks would be placed one after another in the lower row.

Manual Placement of Multiple Memories

A memory placement file must be created to manually place memories. For example, to place the “rec_FI” from the previous example on the left side using both rows and the “tran_FI” on right side in both rows, the following placement file would be used:

```
set_location (1,81) rec_FI/F1/M0;
set_location (1,89) rec_FI/F1/M1;
set_location (17,89) rec_FI/F1/M2;
set_location (17,81) rec_FI/F1/M3;
set_location (33,81) rec_FI/F1/M4;
```

```
set_location (33,89) rec_FI/F1/M5;  
set_location (49,89) rec_FI/F1/M6;  
set_location (49,81) rec_FI/F1/M7;  
  
set_location (145,81) tran_FI/F1/M0;  
set_location (145,89) tran_FI/F1/M1;  
set_location (129,89) tran_FI/F1/M2;  
set_location (129,81) tran_FI/F1/M3;  
set_location (113,81) tran_FI/F1/M4;  
set_location (113,89) tran_FI/F1/M5;  
set_location (97,89) tran_FI/F1/M6;  
set_location (97,81) tran_FI/F1/M7;
```

This constraints file should be read into Designer and would result in the placement shown in Figure A-11 on an A500K130 device.

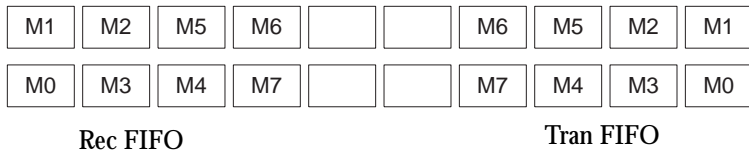


Figure A-11. Sample FIFO Placement

Designer determines the placement for each memory and keeps each memory entity together. To change default placement, you can create constraints manually for memory placement as described in Chapter 1.

Glue Logic for Wider or Deeper Memories

If very deep or very wide memories are created, ACTgen combines together multiple basic blocks and uses embedded logic. Two lists quantifying glue logic are shown in Table A-5 and Table A-6 on page 191 .

These tables cover extreme cases of depth or width for RAMs and FIFOs for the A500K130 device, which offers 20 memory blocks and 12800 logic tiles.

Table A-5. RAM

RAM	Parity	Memory Blocks Used	Logic Tile Used	Comment
Depth 5120 Width 8	Check Even	20	259	All 20 blocks used in depth
Depth 256 Width 160	Check Even	20	22	All 20 blocks used in width

Table A-6. FIFO

FIFO	Parity	Memory Blocks Used	Logic Tile Used	Comment
Depth 5120 Width 8	Check Even	20	592	All 20 blocks used in depth
Depth 256 Width 160	Check Even	20	62	All 20 blocks used in width

For FIFOs, ACTgen creates placement directives for glue logic. If placement information from ACTgen is used, glue logic placement is more efficient.

Programmable Flags in FIFOs

ProASIC devices provide programmable flags for FIFOs. The threshold for these flags can be set in ACTgen in the main menu. It is on the bottom right

corner in the FIFO Trigger Level box. You can specify whether the flag is static or dynamic. If dynamic is selected, ACTgen will create a FIFO with a LEVEL input bus on the memory interface. You can apply values in the range of 0 to 255 to this bus to change its threshold dynamically.

The overall trigger level is a multiple “d,” which is the number of used basic memory blocks in depth (each 256 words). The increment between each overall trigger level is equal to “d.” For example, a memory that is 512 words deep is built up of two basic memory block in depth (512/256). The highest almost full trigger level should be assigned, which is 510 ($512-d = 512-2$) The corresponding dynamic trigger LEVEL is 255 ($510/n = 510/2$).

If the threshold is not changing, you can select the static option and specify the threshold value. In this case, ACTgen will hardwire threshold to the specified value. A detailed timing of these flags can be found in the *ProASIC 500k Family Datasheet*.

Trigger level is also called threshold. Consequently, equal threshold (EQTH) and greater equal threshold (GEQTH) are the names of the trigger flags.