



A

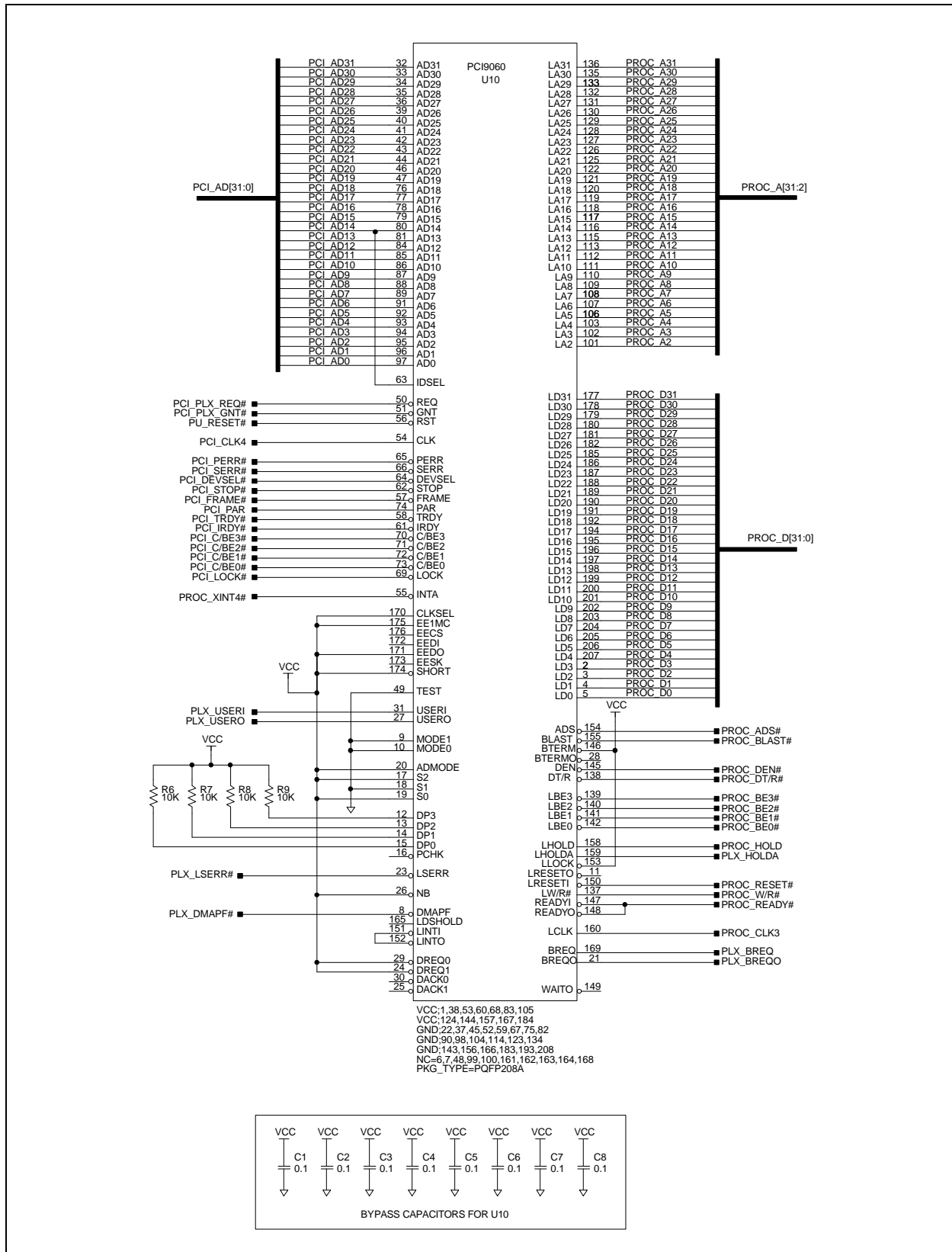
# SWITCHED ETHERNET REFERENCE DESIGN SCHEMATICS

## Index to Reference Design Schematics

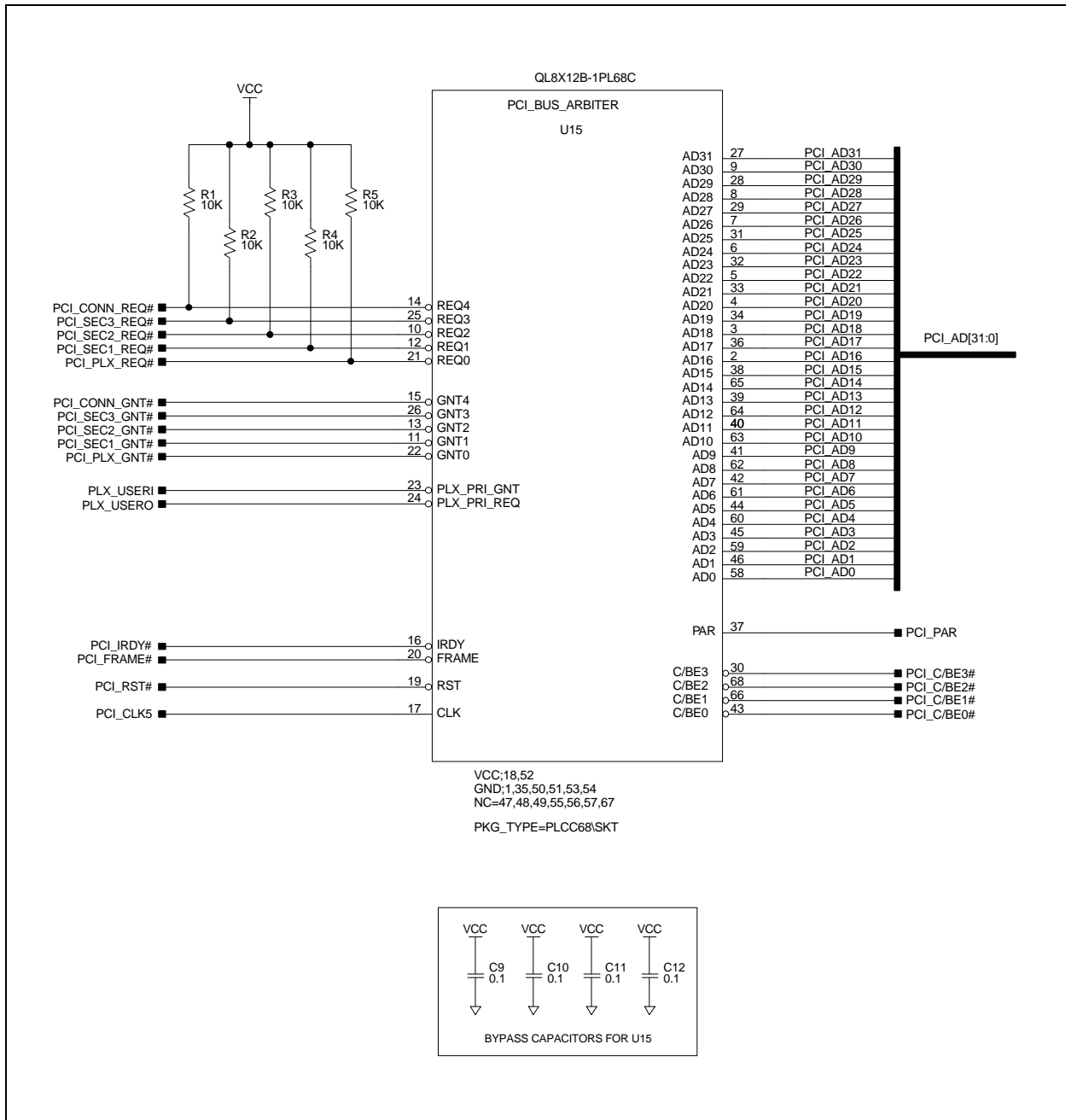
<b>Circuit</b>	<b>Sheets</b>
+3.3V Supply for Processor .....	3
DIP Switch .....	25
DRAM Controller FPGA .....	29
Dual Serial Port (AM85C30) .....	27
EPROM, 128Kx8 .....	27
Flash Memory .....	28
Hx Processor .....	32
Input and Output Ports .....	25
Input Power Connectors, P25 and P26 .....	33
Jx Processor and Address Latch .....	31
LED, Processor Fail .....	2
LED, User LEDs for Debugging .....	25
LED, Voltage Indicators .....	2
Misc Logic FPGA .....	29
PCI Clock Distribution .....	3
PCI Bus Arbiter .....	1
PCI Expansion Connector .....	33
PCI to 80960 Bridge Chip .....	1
Processor Clock Distribution .....	2
Processor DRAM SIMM Sockets .....	30
Power Up Reset .....	2
Serial EEPROM .....	25
Serial Port Driver/Receivers .....	27
Slow Data Bus Transceiver .....	26
VPP Switch (for Flash Programming) .....	3

**NOTE:** The reference design schematic was originally scaled for printing on B size (11"x17") paper. In order to incorporate the drawings into this document, it was necessary to partition some of the sheets, resulting in "a" and "b" sheets. For example, Sheet 2 of the original drawing is shown on two sheets in this document identified as sheets "2a" and "2b".

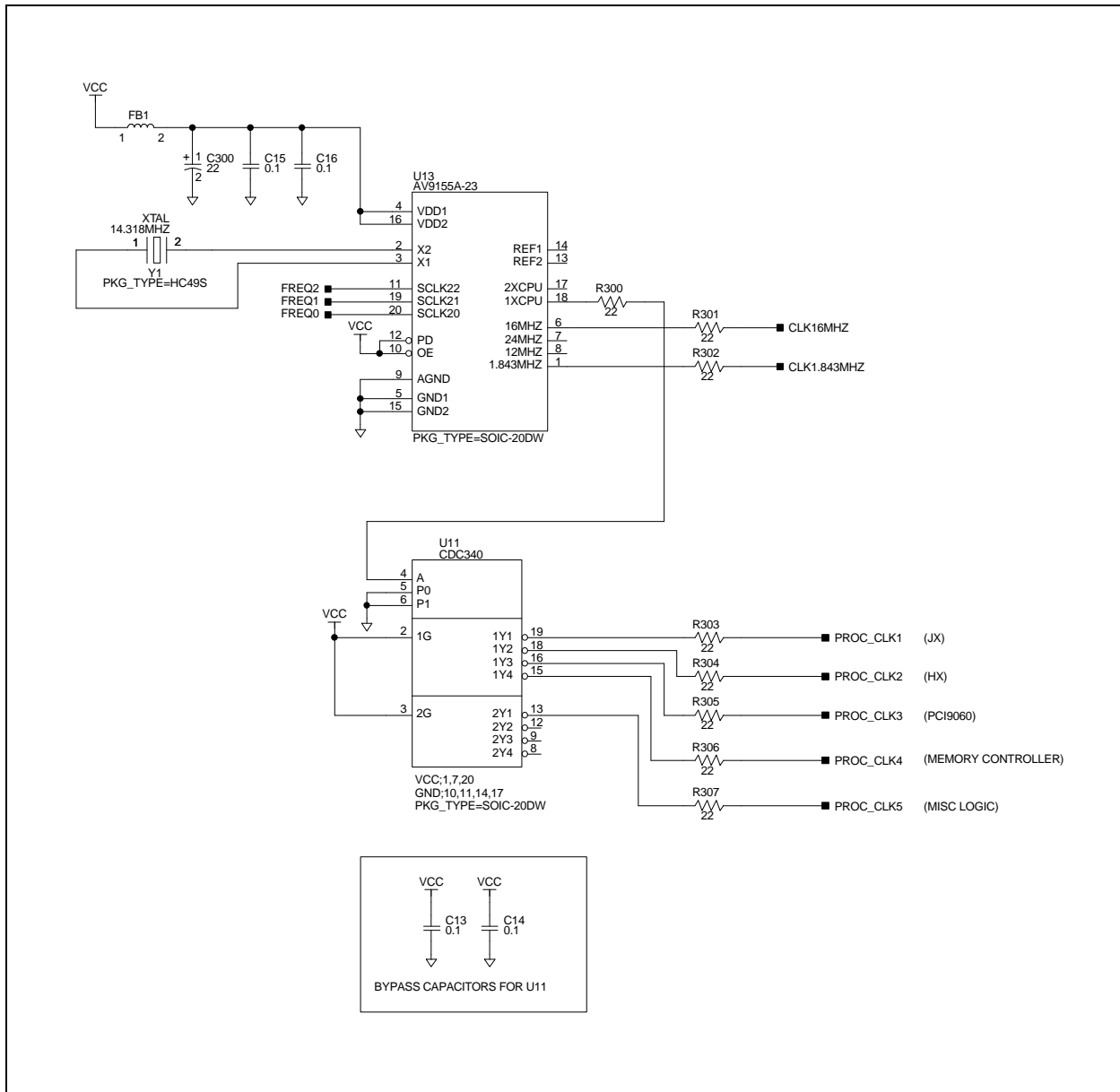
Note that it was necessary to create "a" and "b" sheets for only about half of the original schematics.



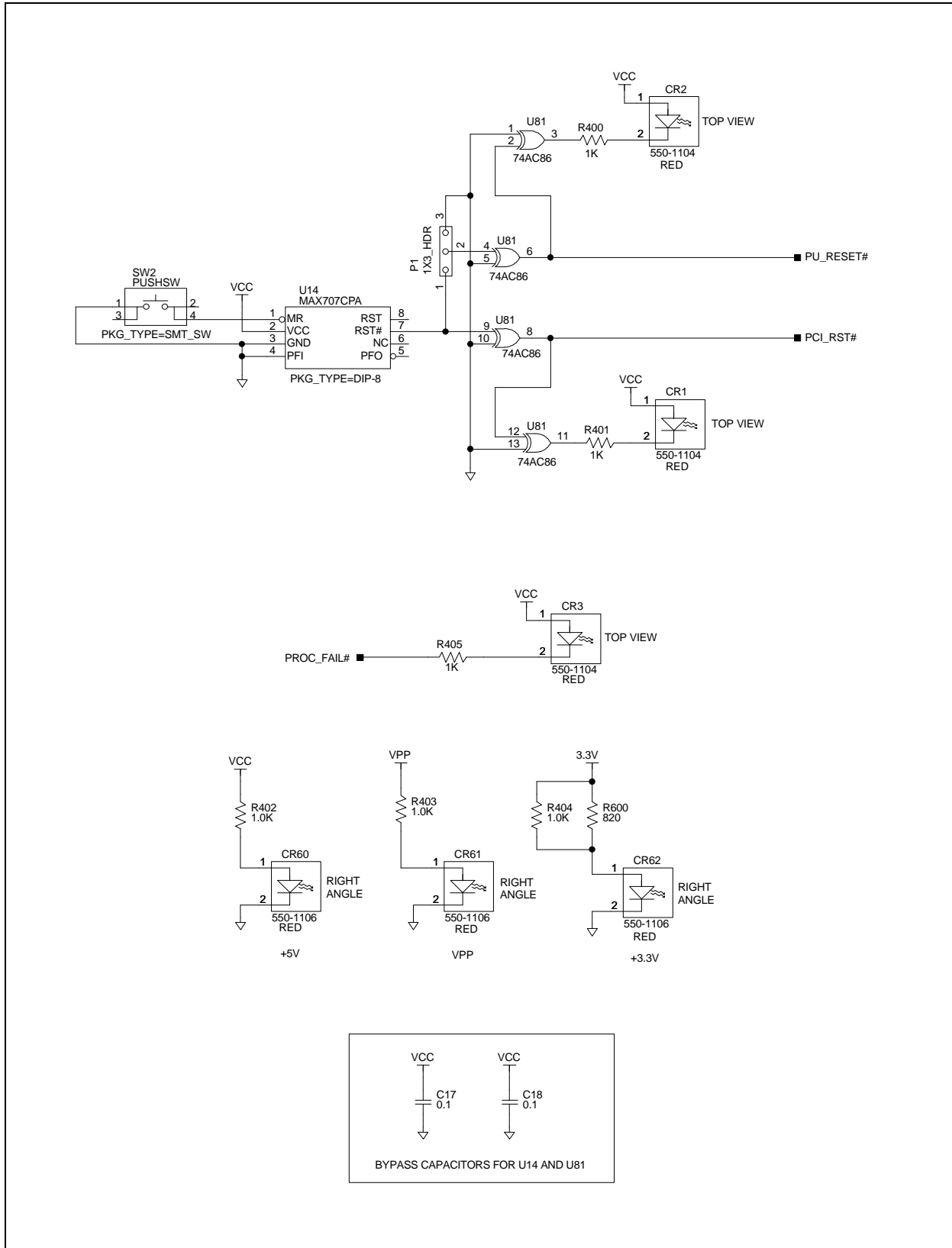
Switched Ethernet Reference Design—Sheet 1a



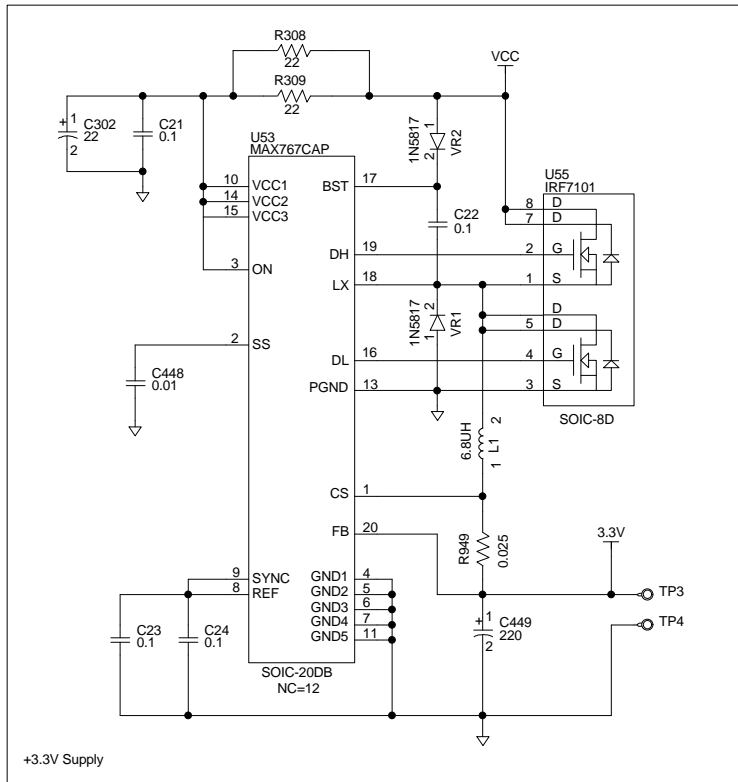
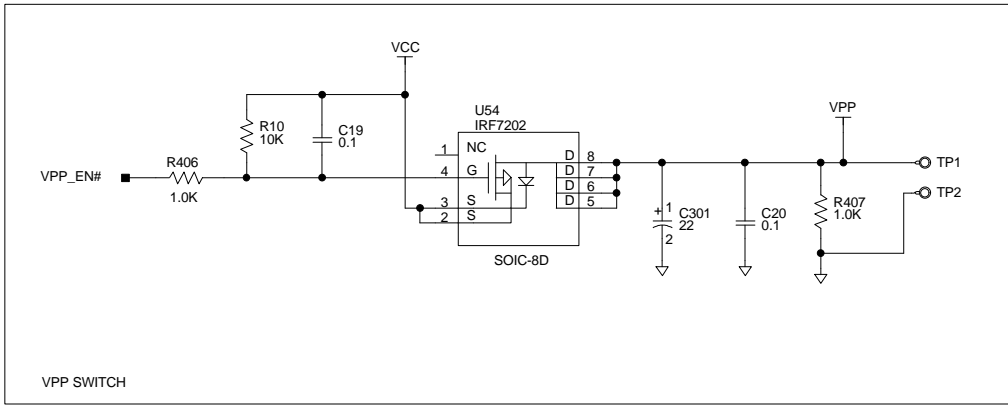
Switched Ethernet Reference Design—Sheet 1b



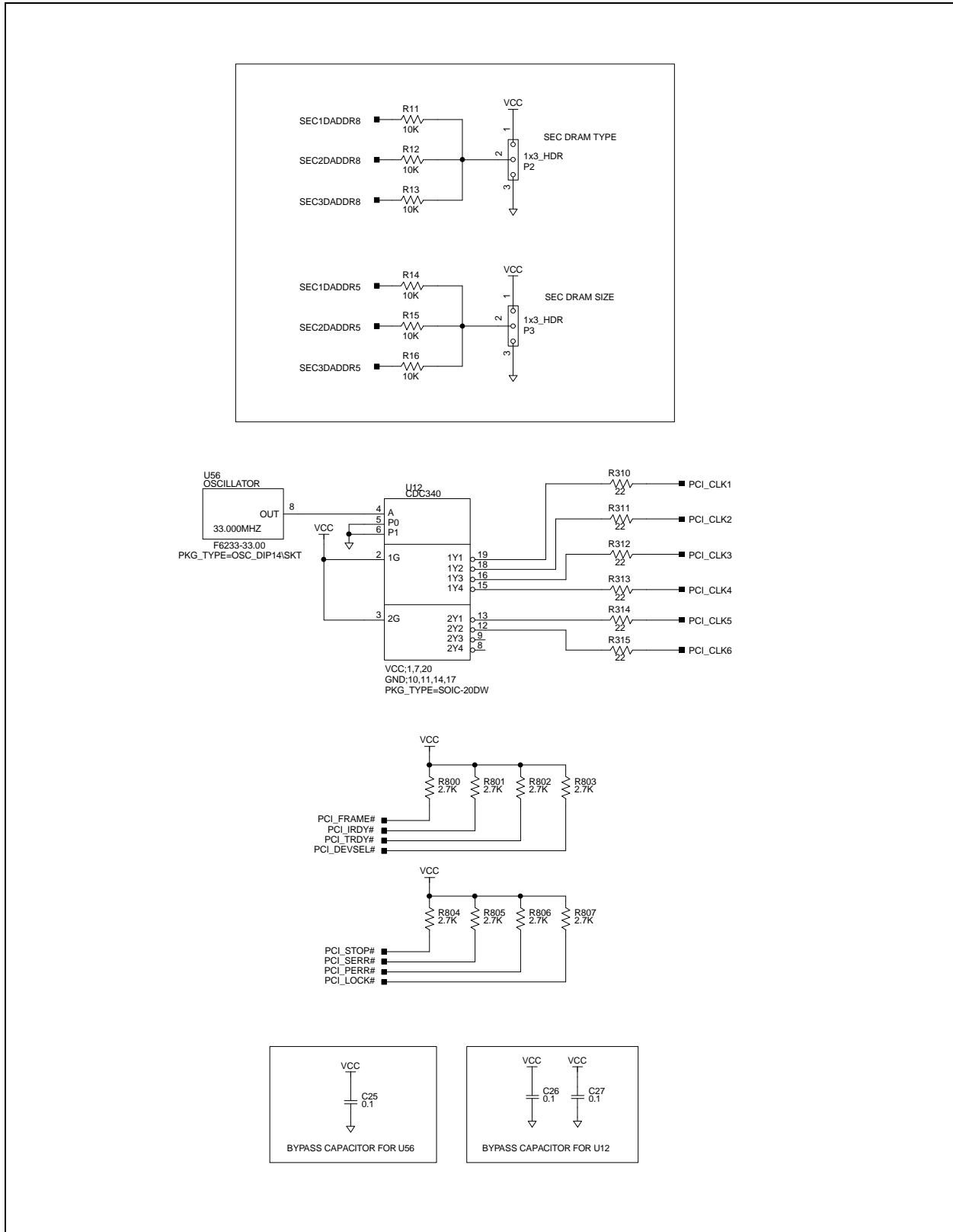
Switched Ethernet Reference Design—Sheet 2a



Switched Ethernet Reference Design—Sheet 2b

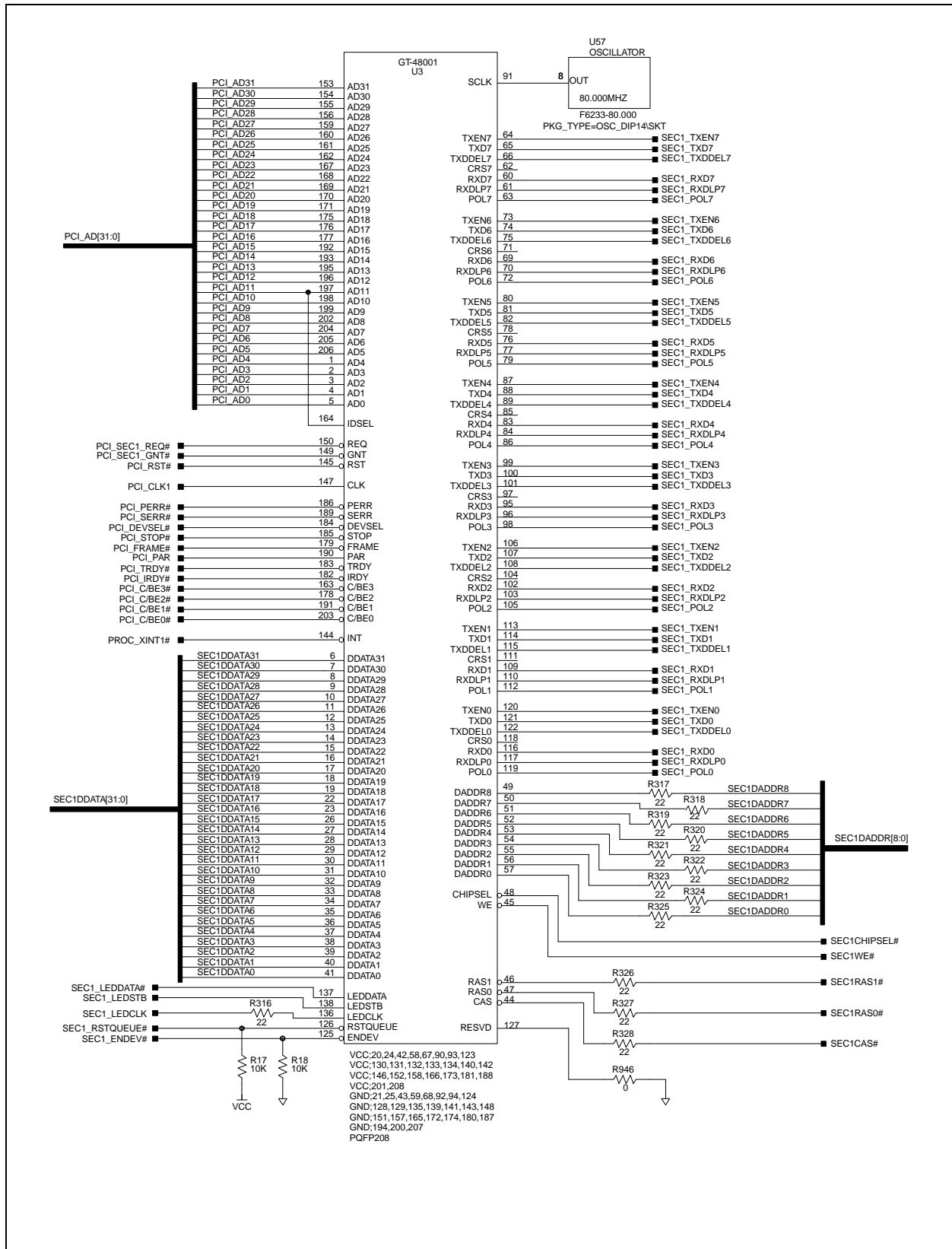


Switched Ethernet Reference Design—Sheet 3a

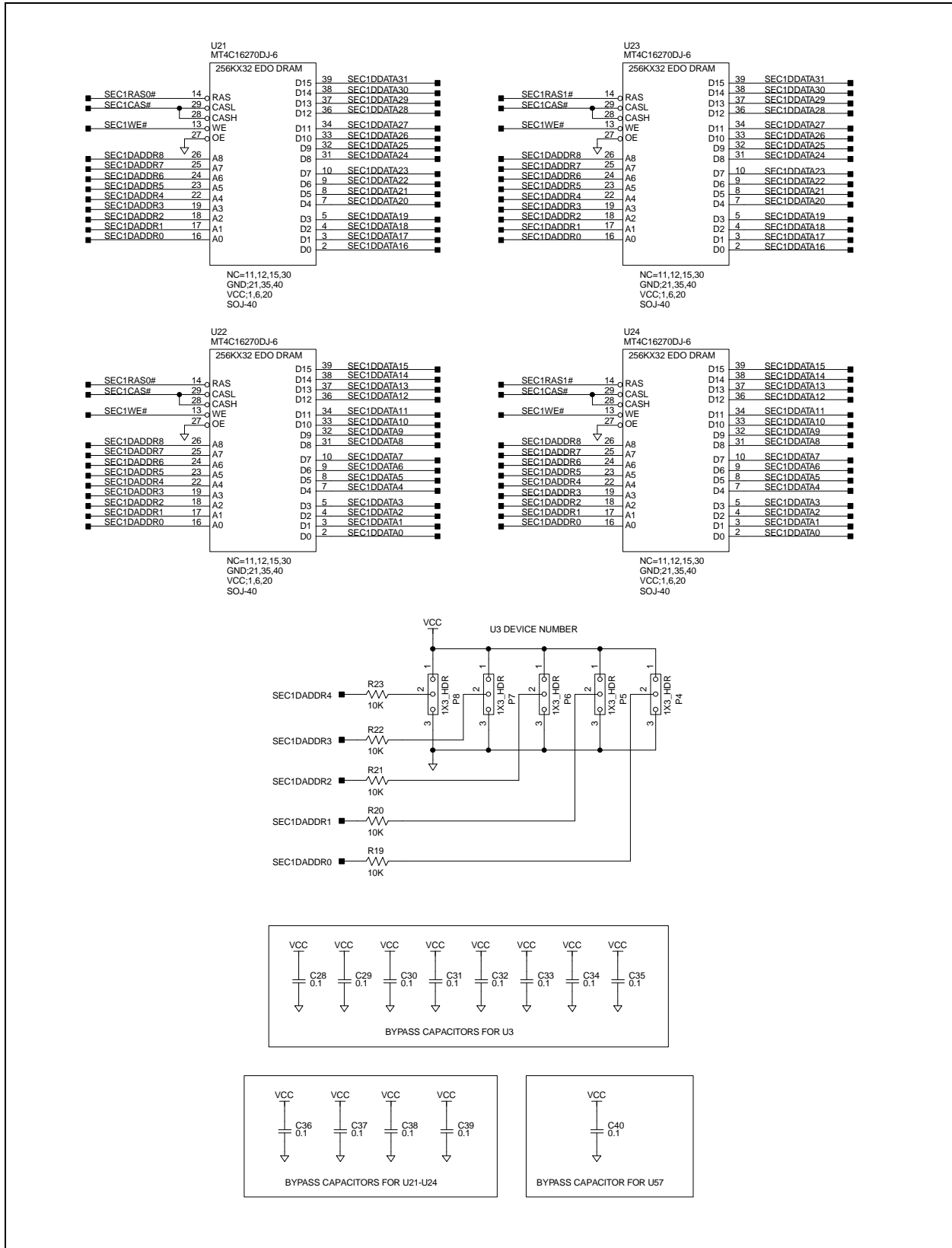


Switched Ethernet Reference Design—Sheet 3b

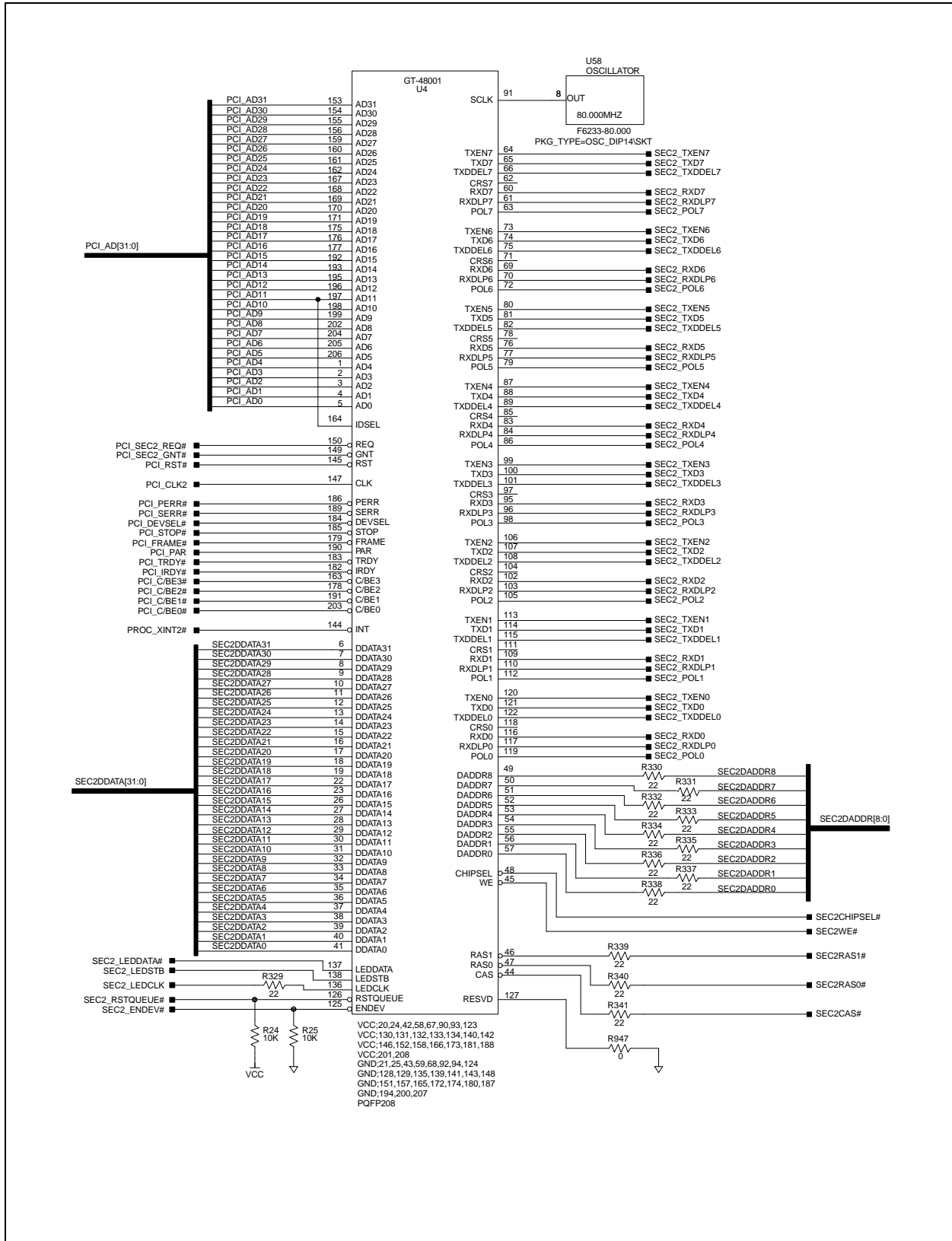




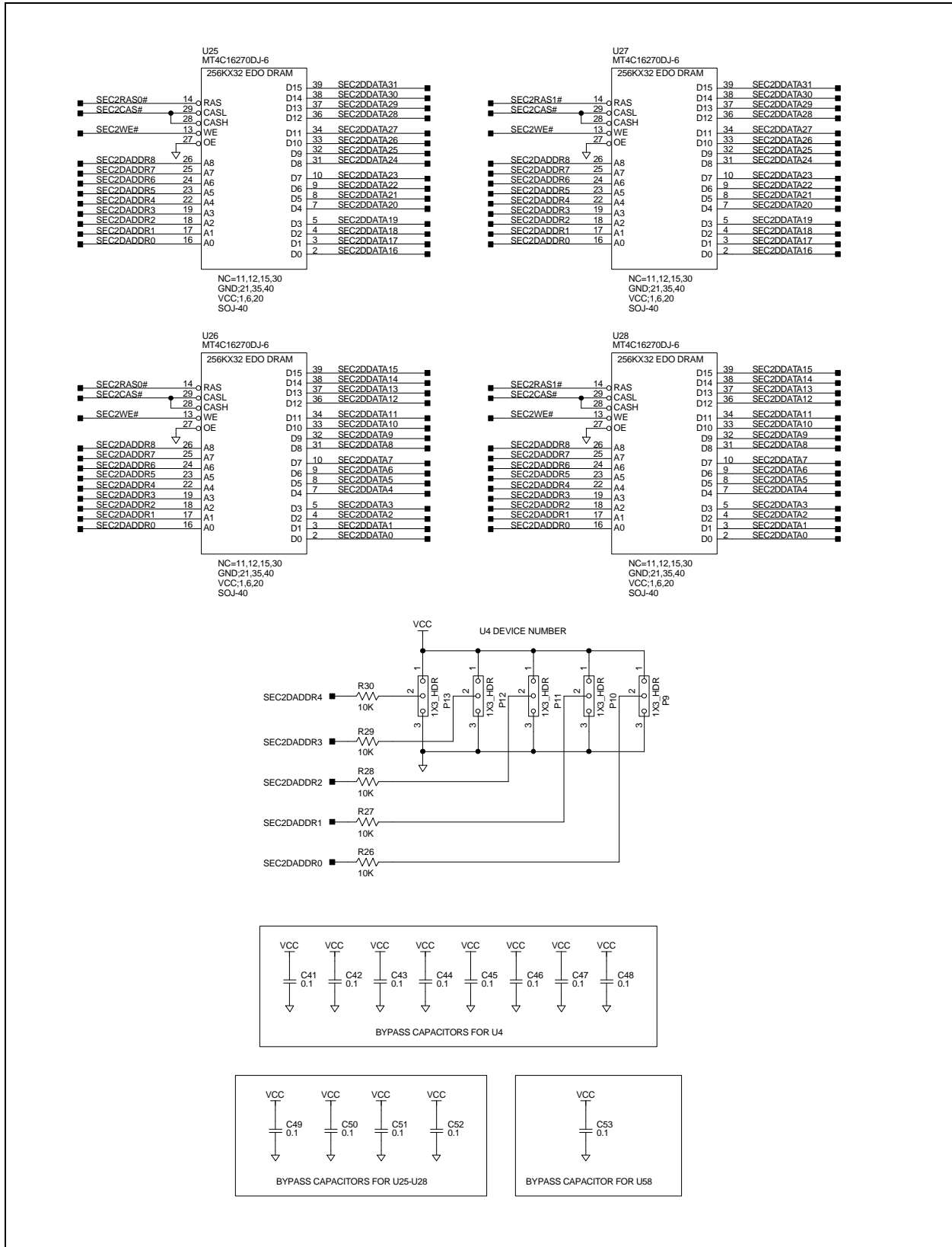
Switched Ethernet Reference Design—Sheet 4a



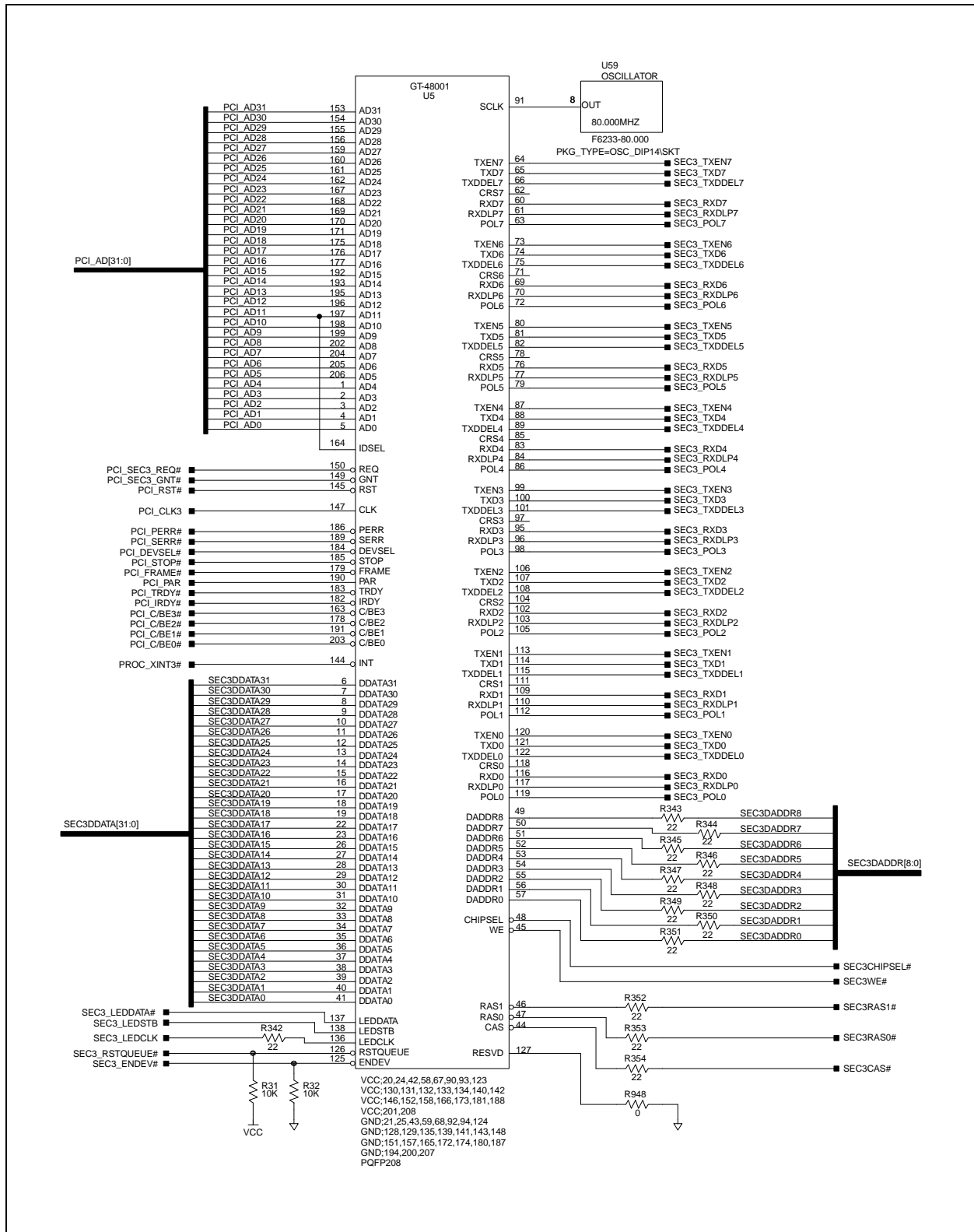
Switched Ethernet Reference Design—Sheet 4b



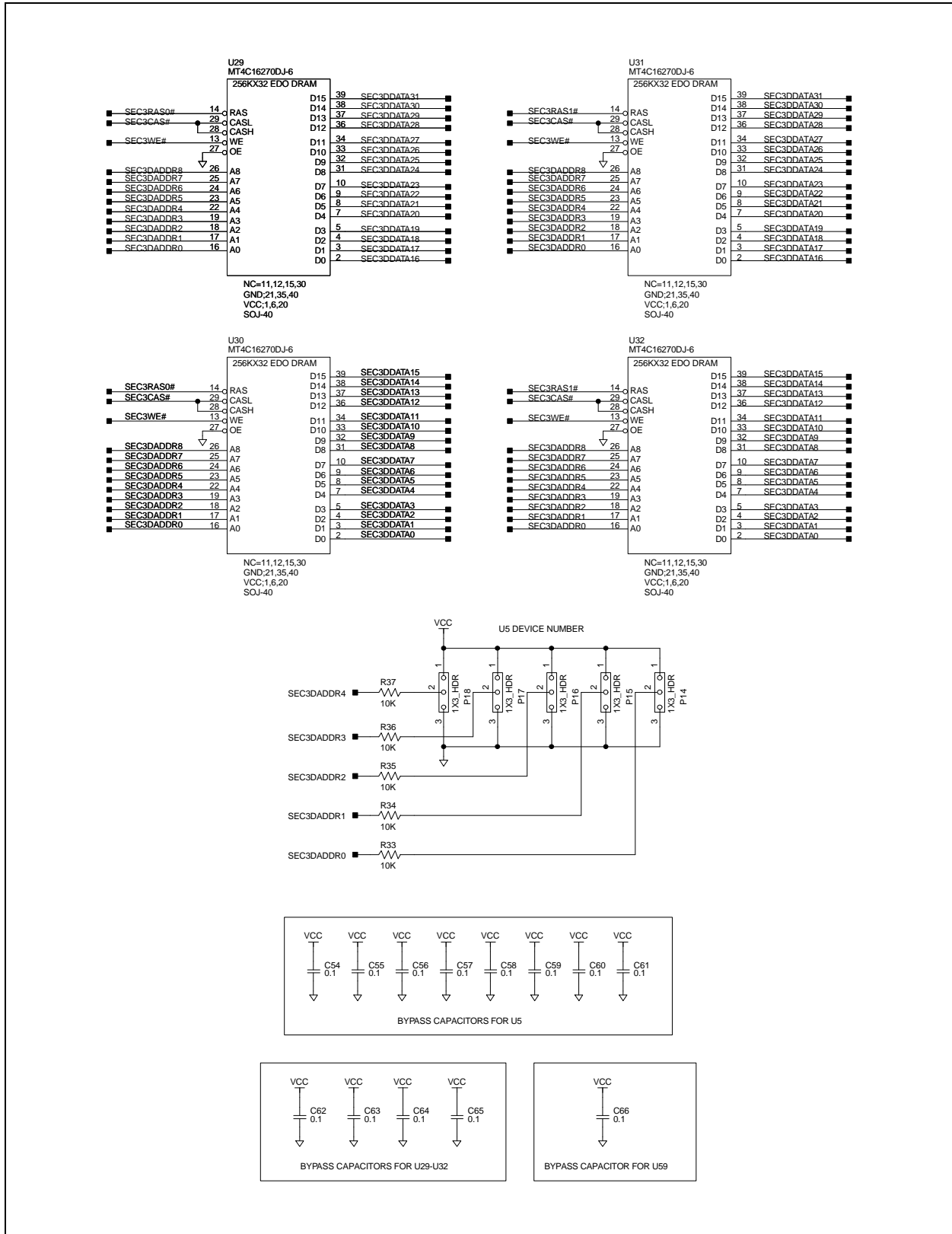
Switched Ethernet Reference Design—Sheet 5a



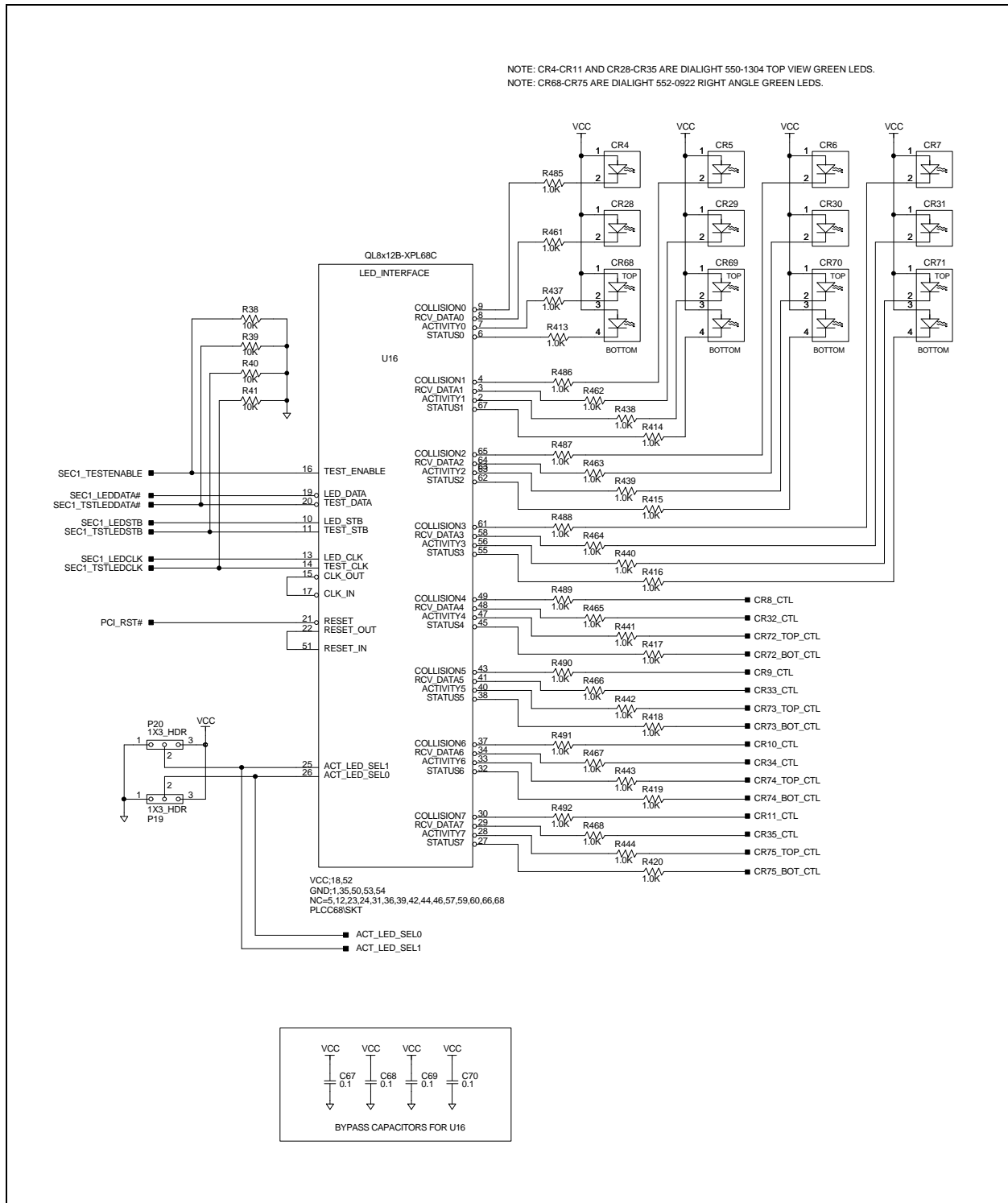
Switched Ethernet Reference Design—Sheet 5b



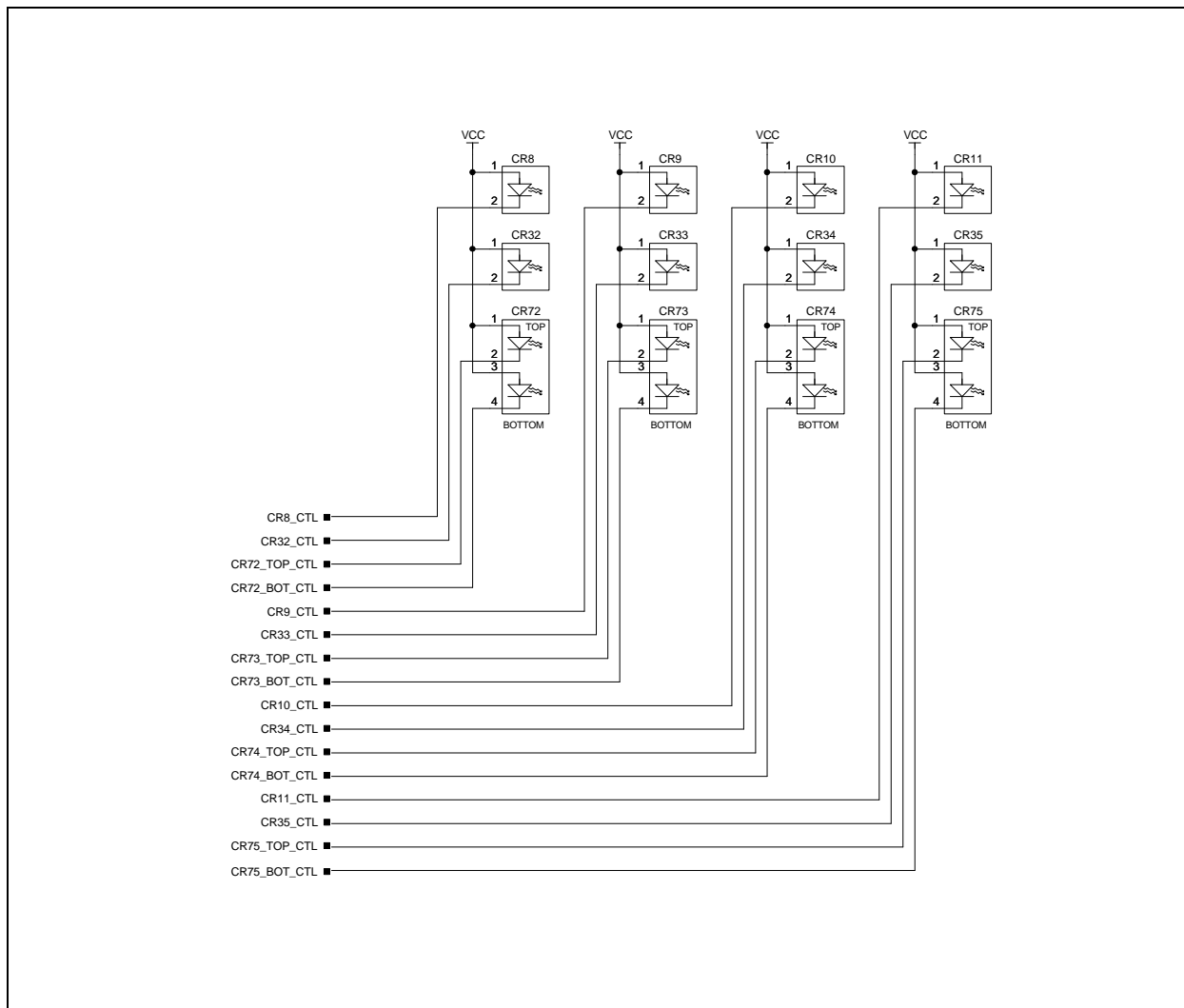
Switched Ethernet Reference Design—Sheet 6a



Switched Ethernet Reference Design—Sheet 6b

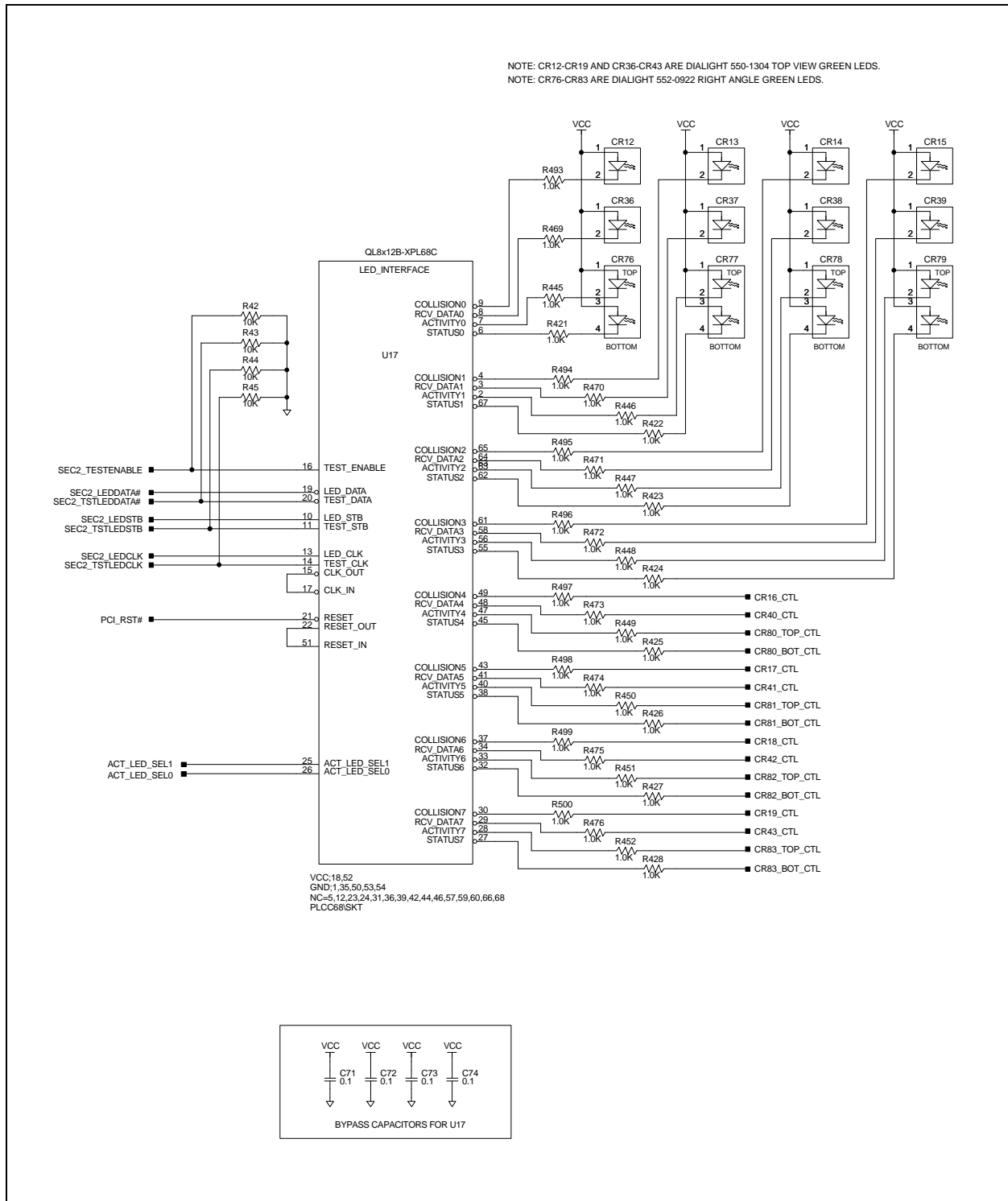


Switched Ethernet Reference Design—Sheet 7a

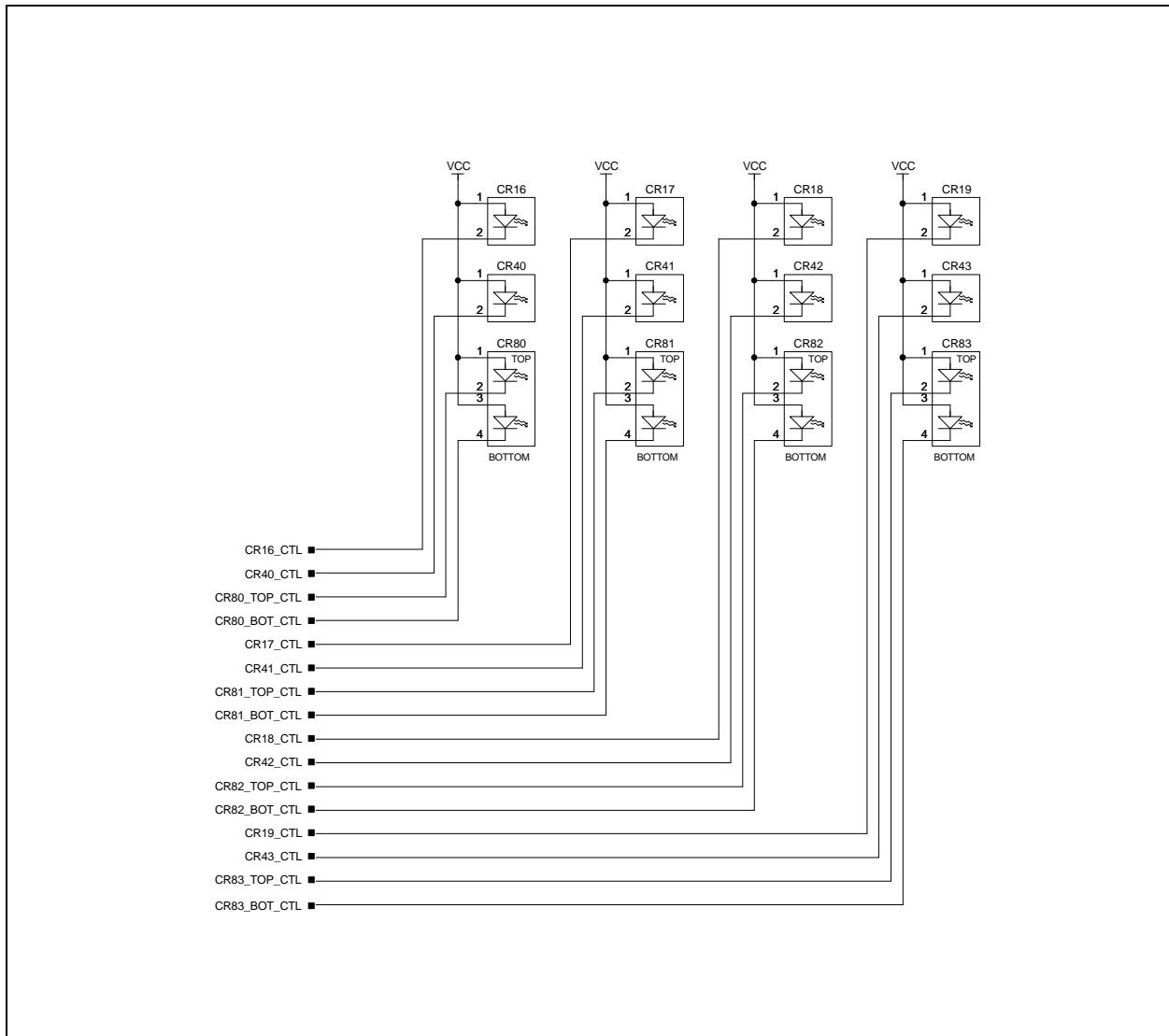


Switched Ethernet Reference Design—Sheet 7b

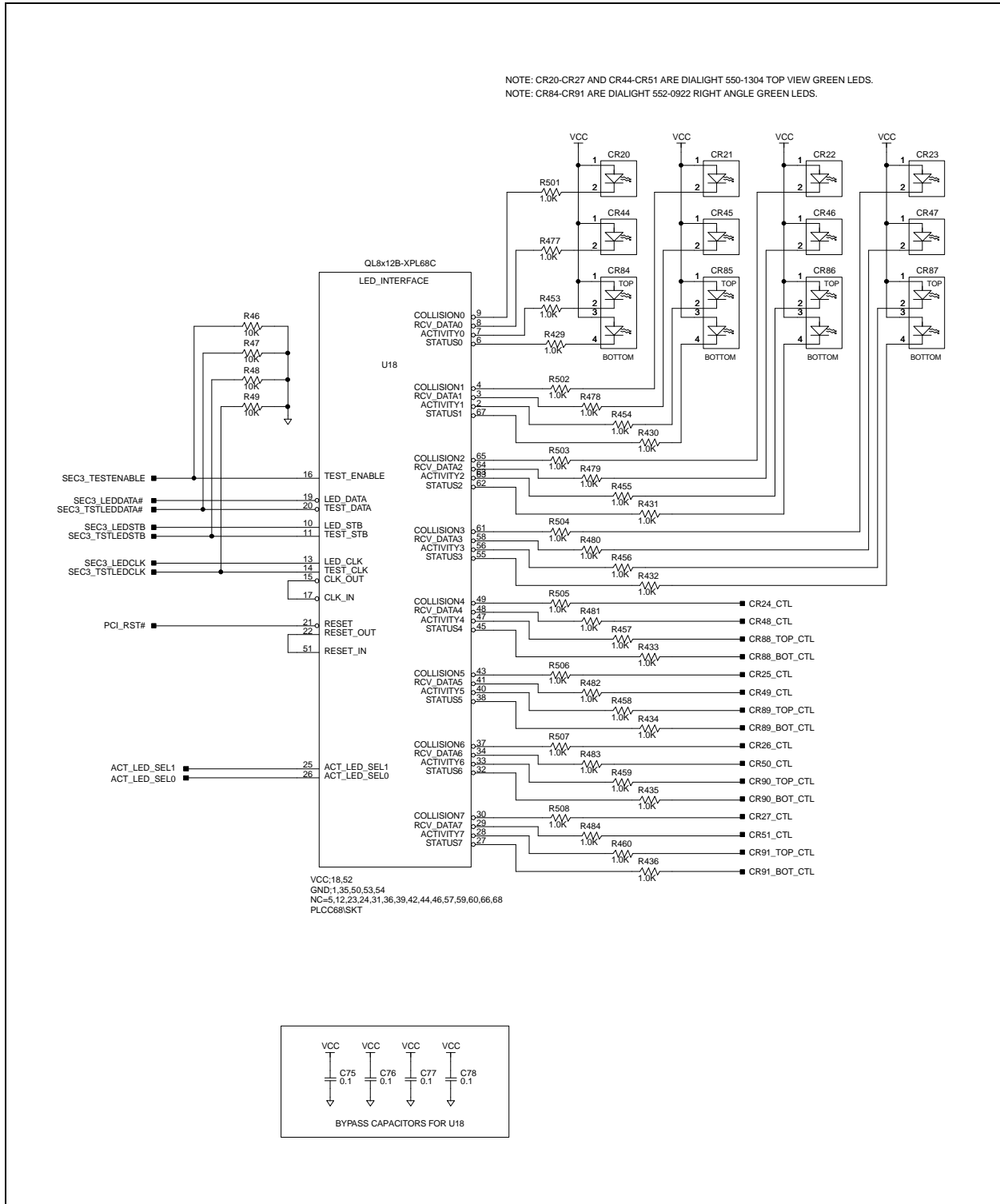




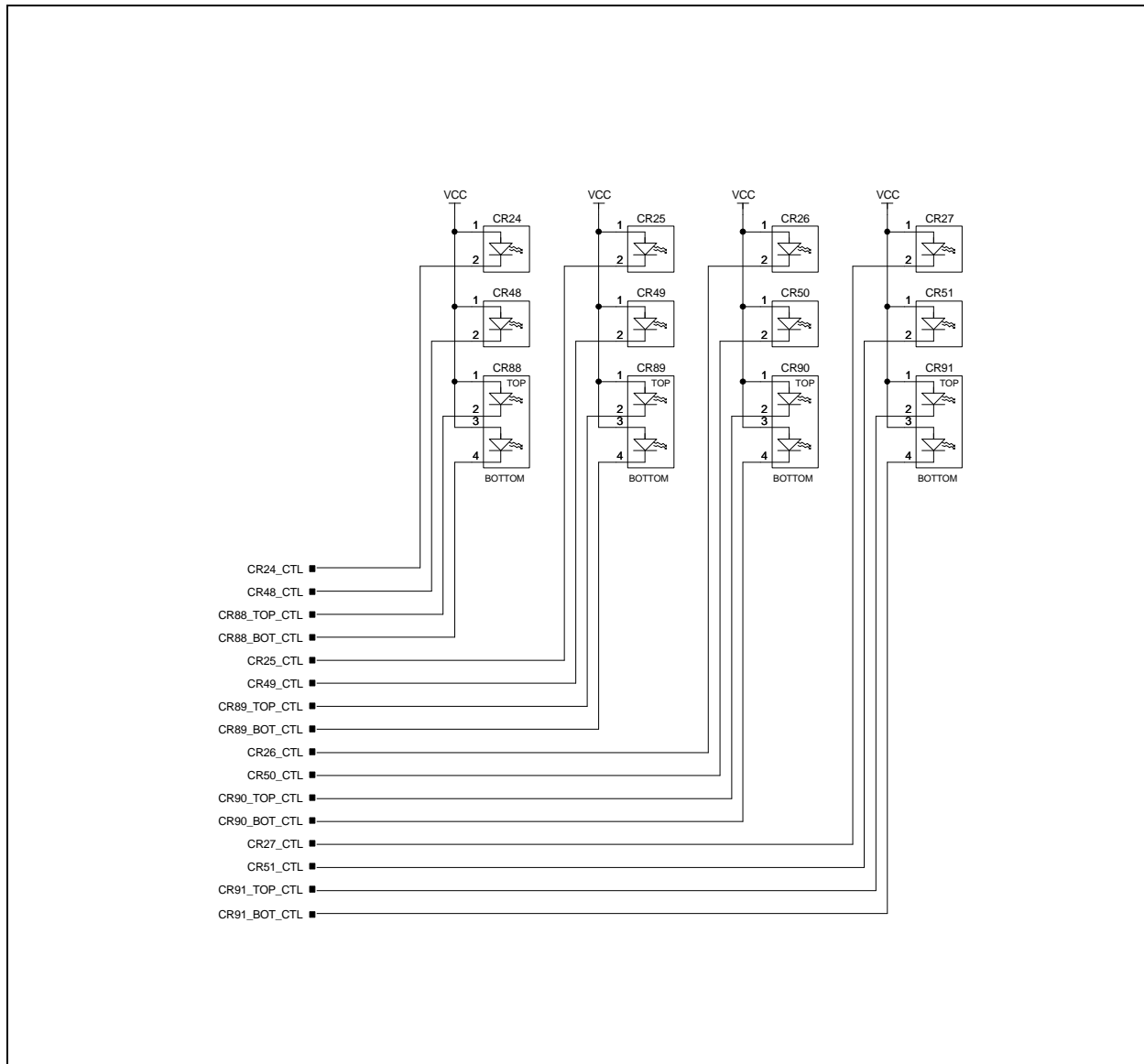
**Switched Ethernet Reference Design—Sheet 8a**



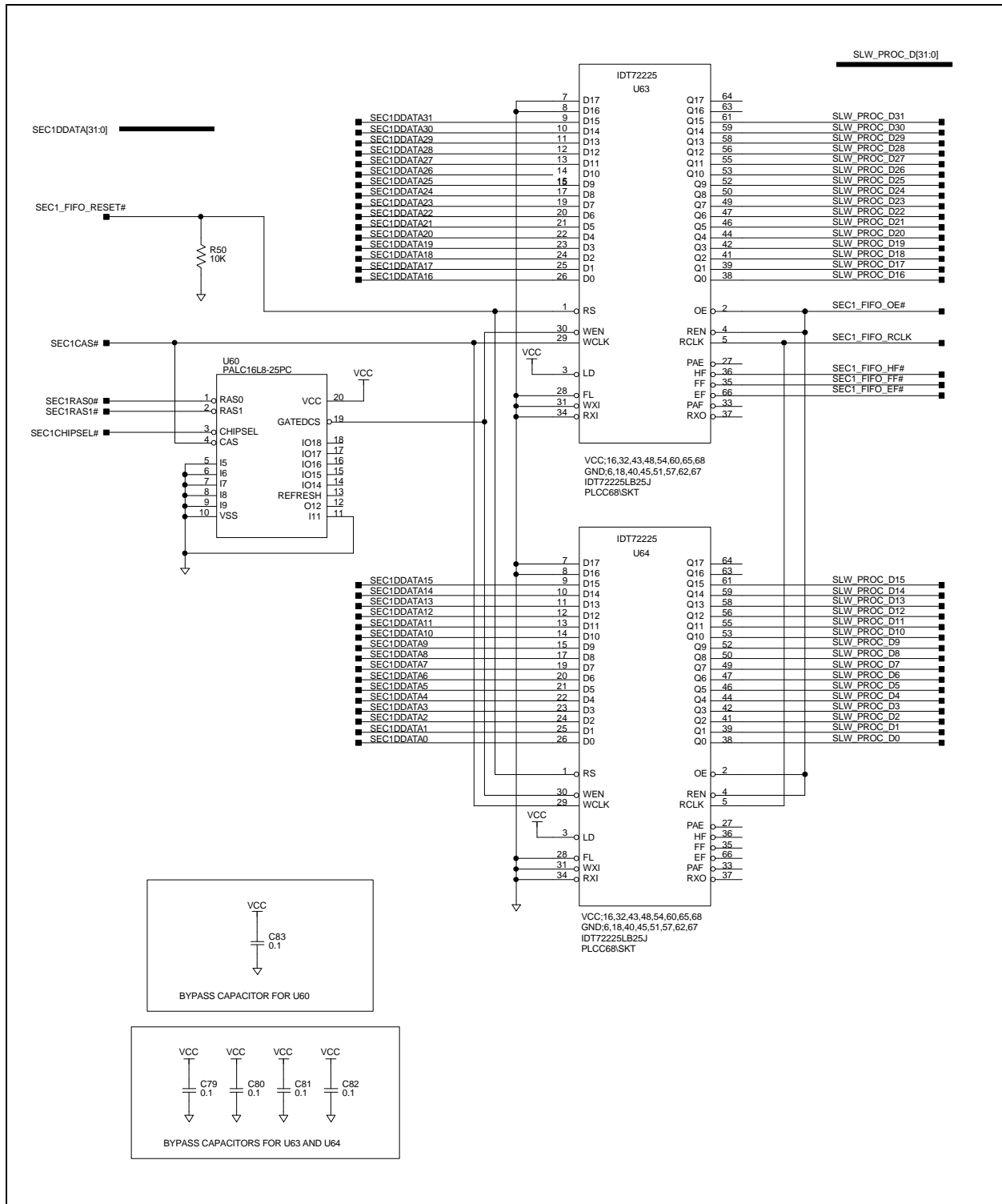
Switched Ethernet Reference Design—Sheet 8b



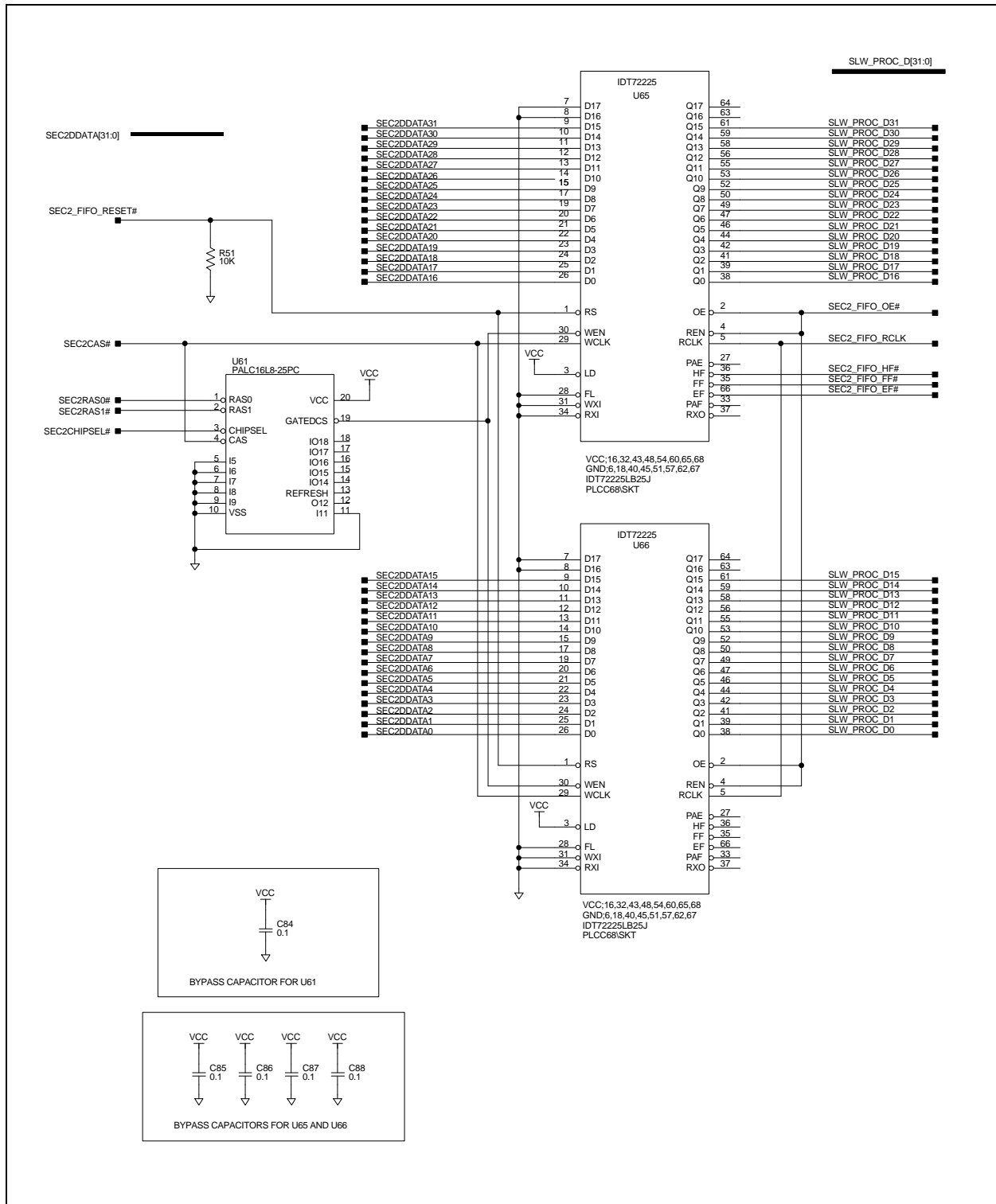
## Switched Ethernet Reference Design—Sheet 9a



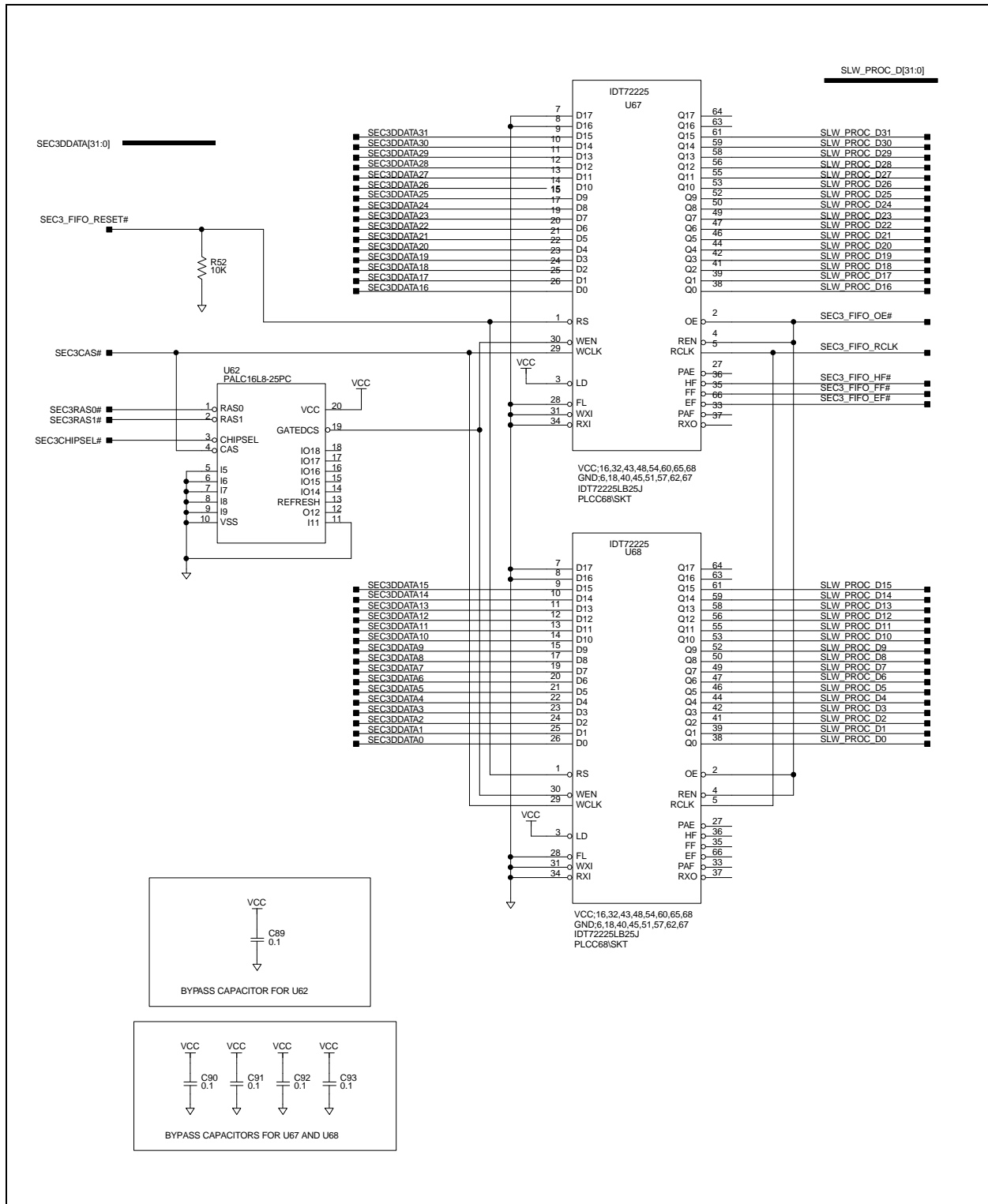
Switched Ethernet Reference Design—Sheet 9b



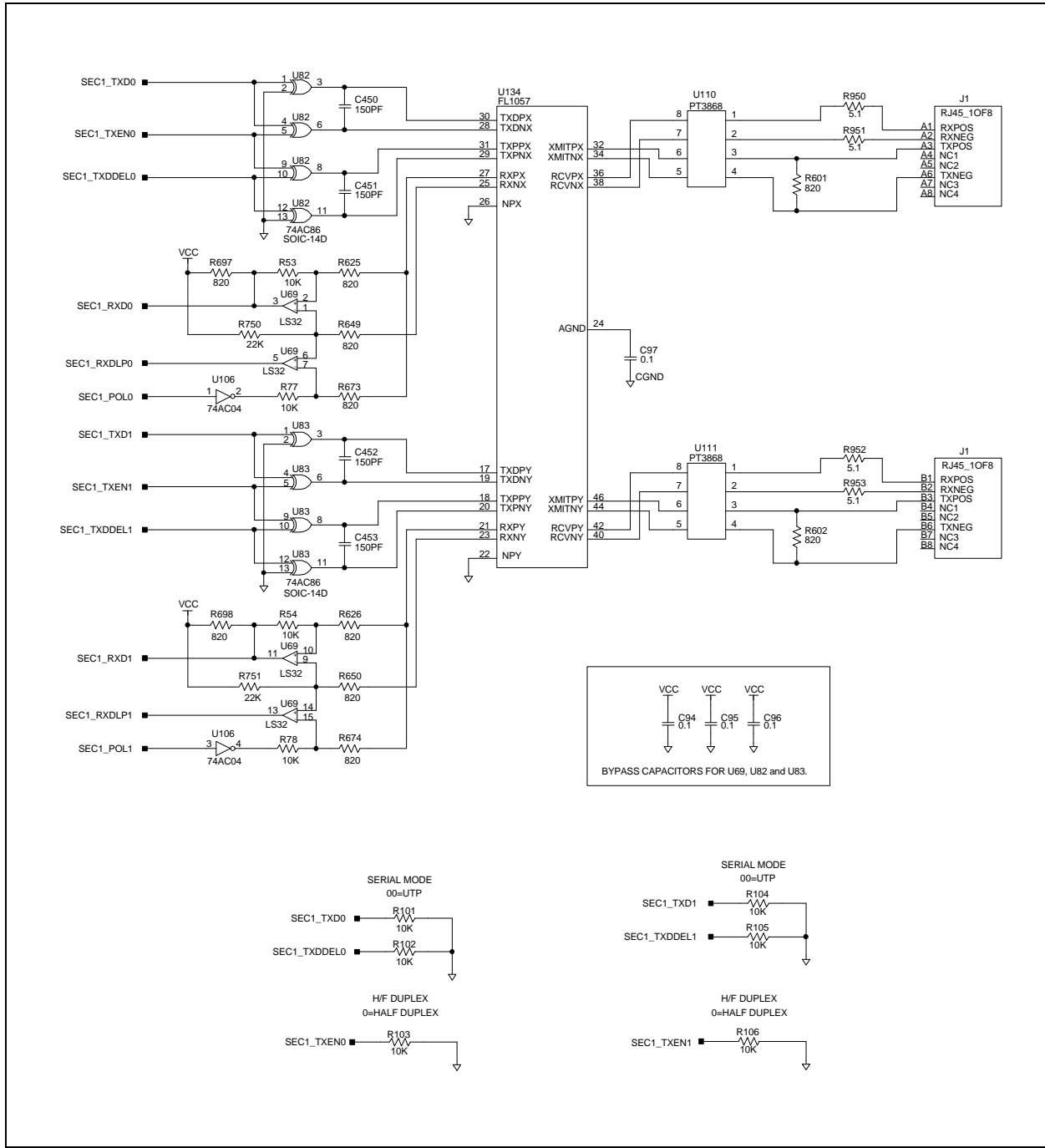
## Switched Ethernet Reference Design—Sheet 10



Switched Ethernet Reference Design—Sheet 11

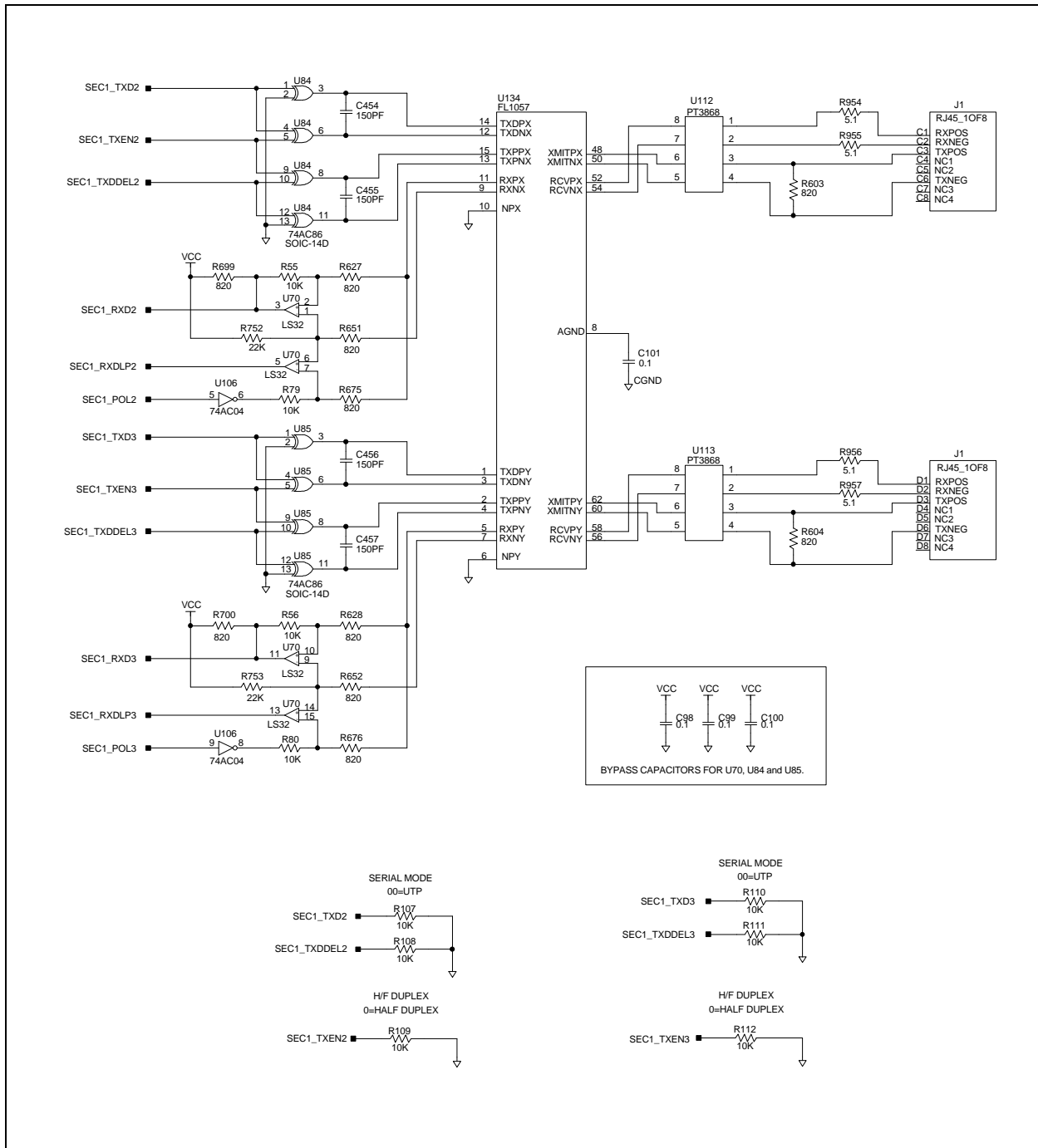


**Switched Ethernet Reference Design—Sheet 12**



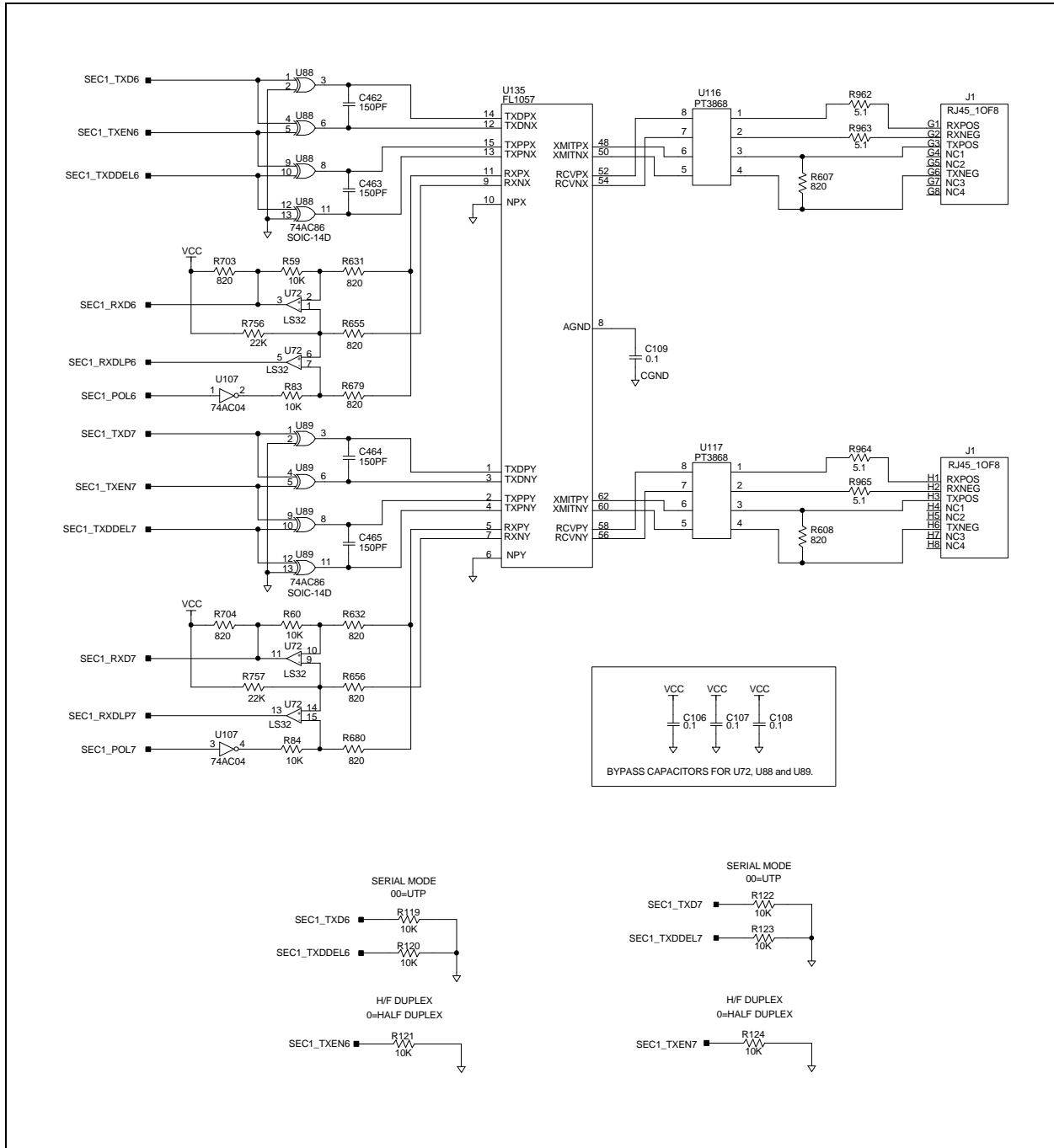
**Switched Ethernet Reference Design—Sheet 13**



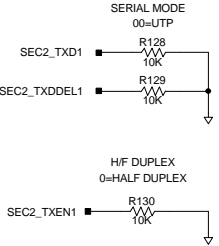
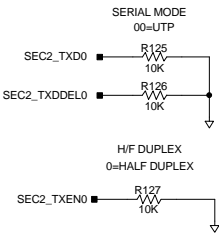
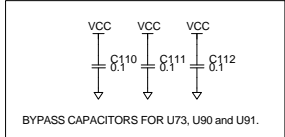
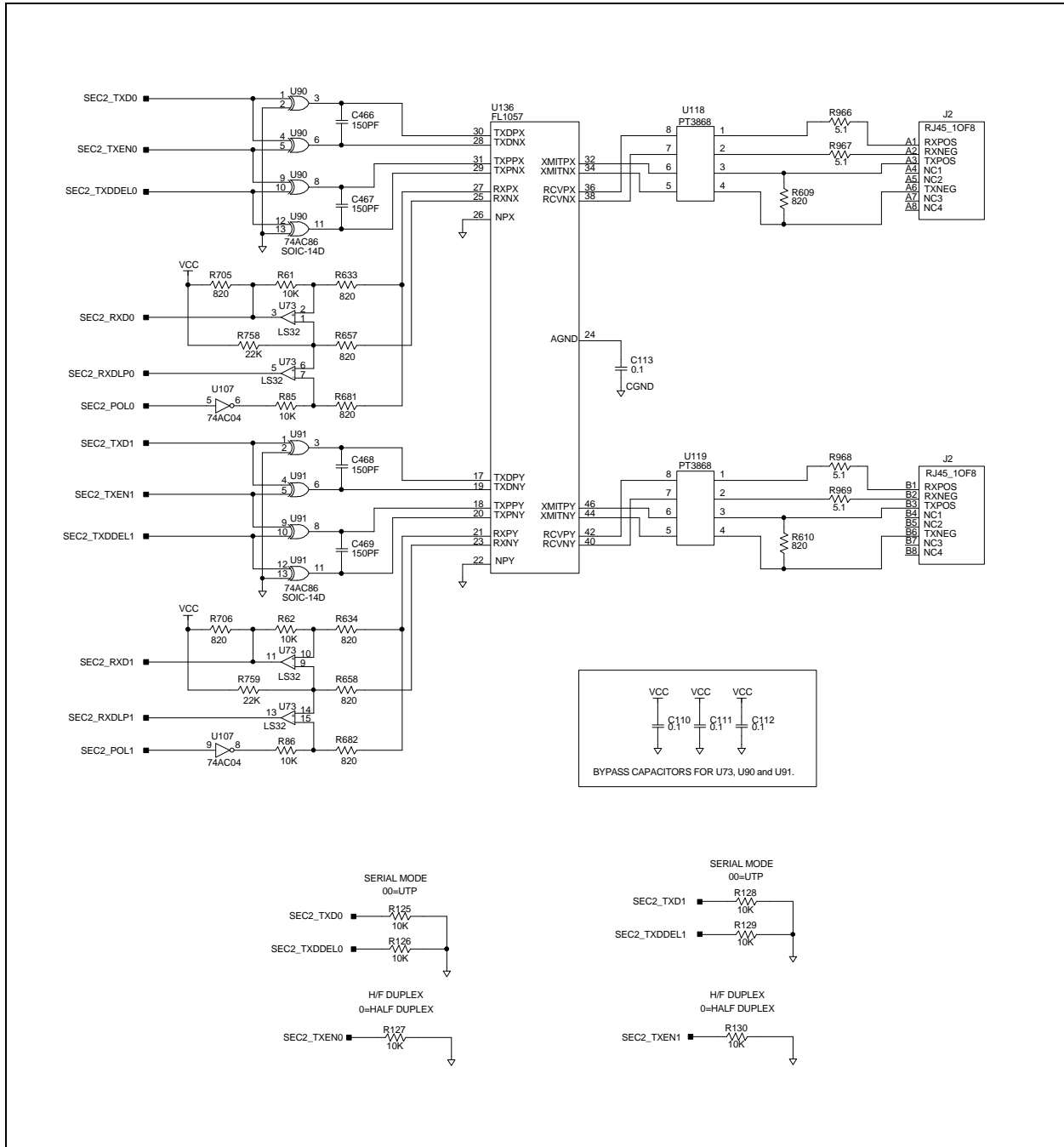


**Switched Ethernet Reference Design—Sheet 14**

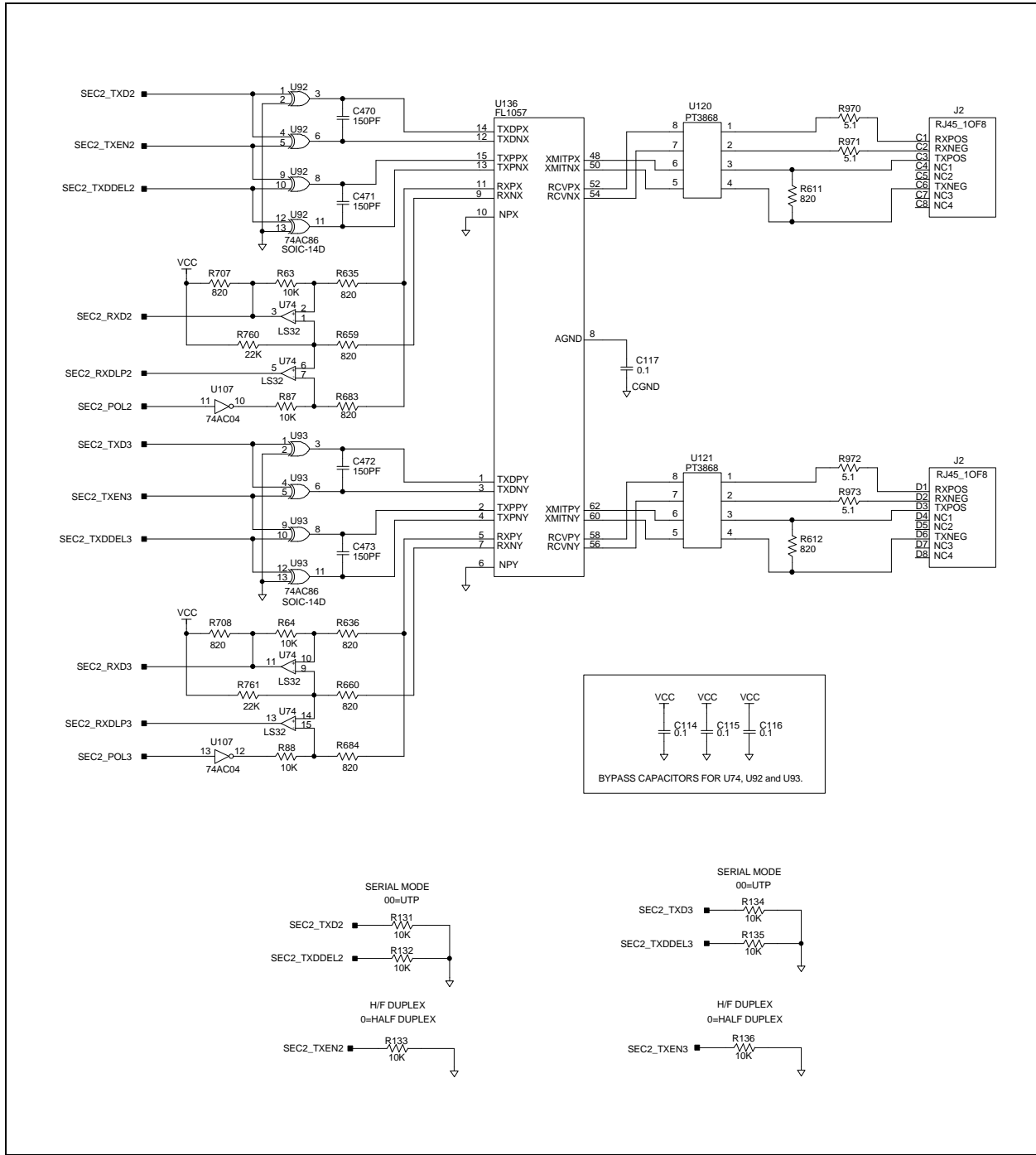




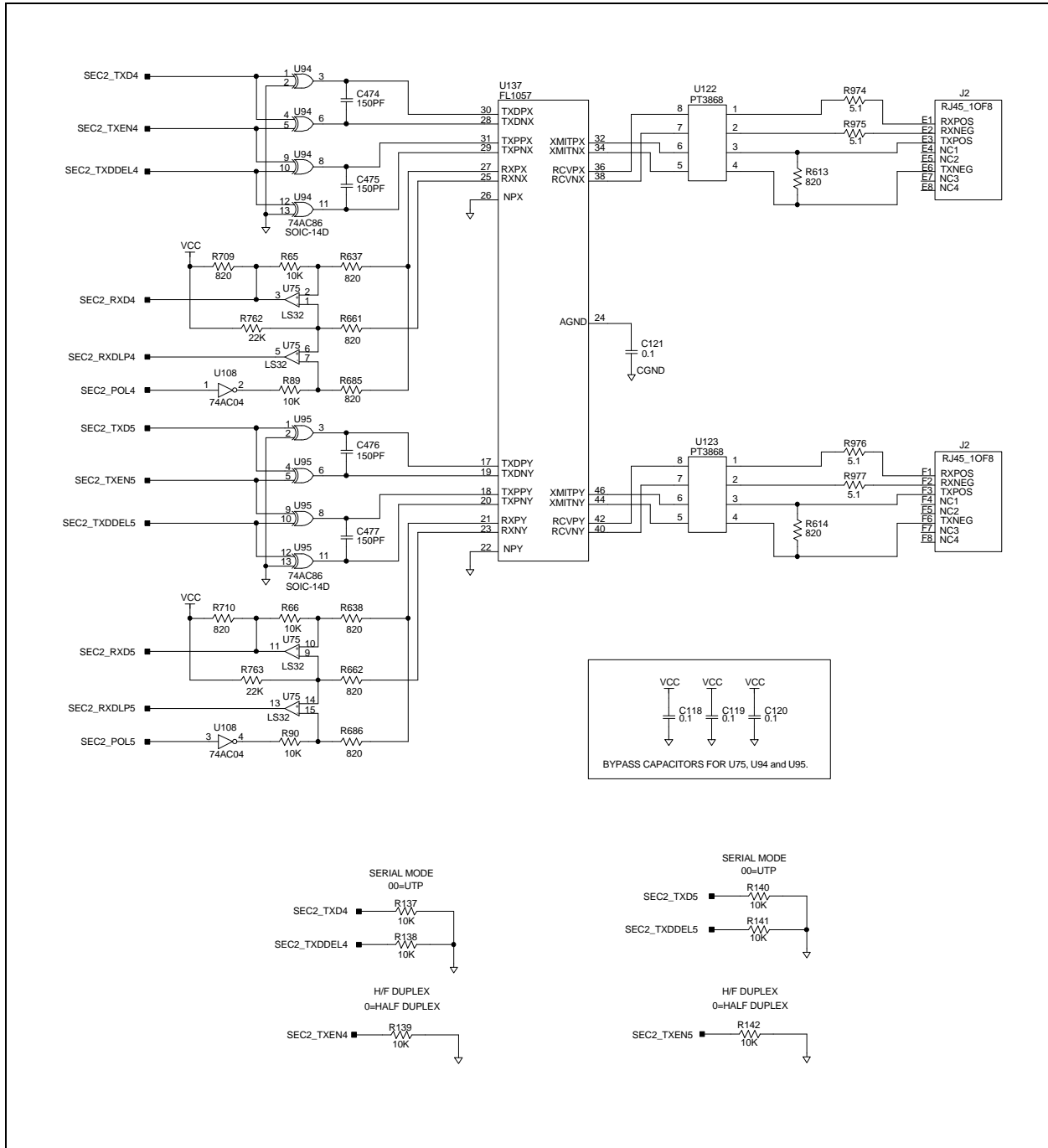
Switched Ethernet Reference Design—Sheet 16



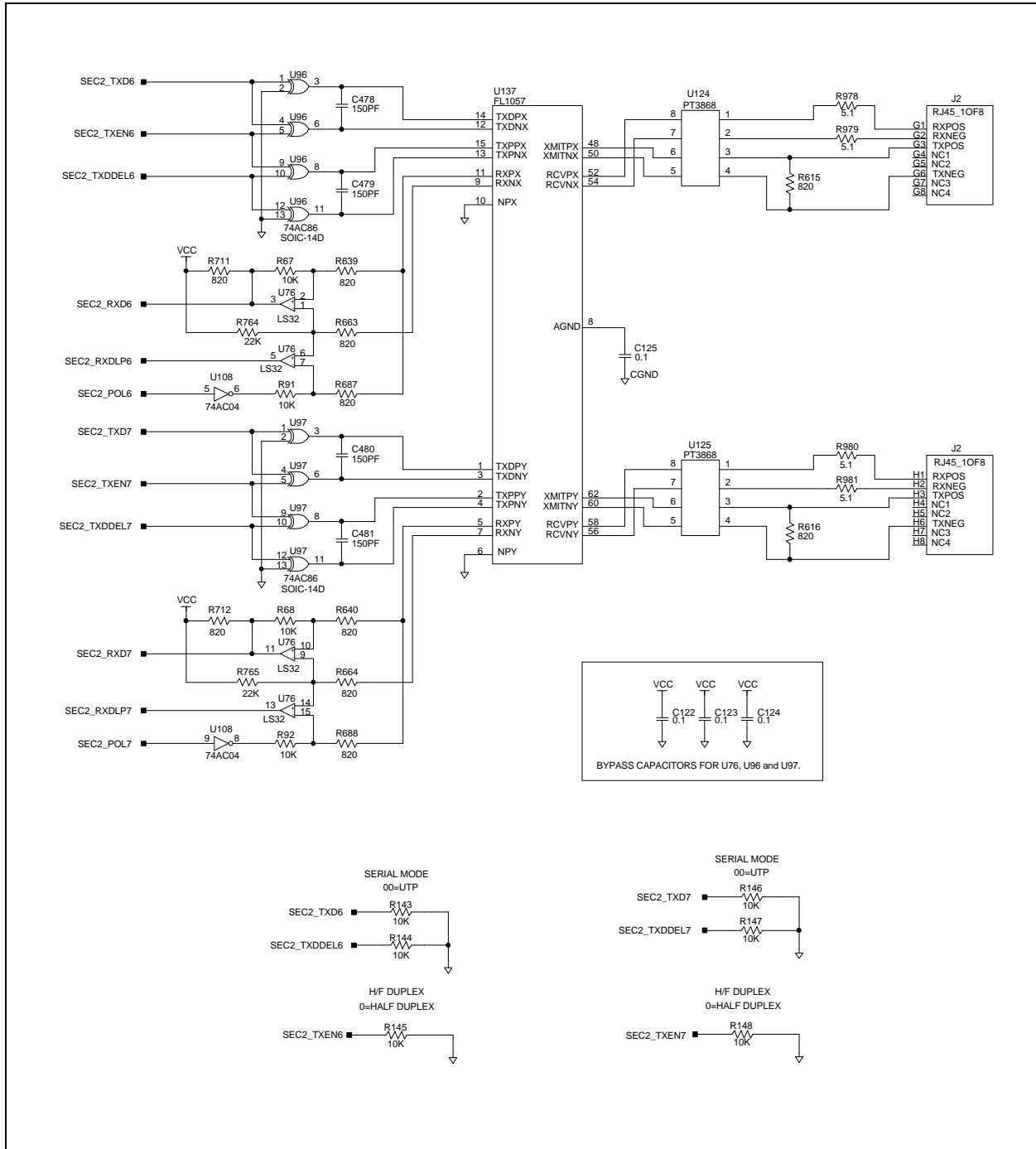
Switched Ethernet Reference Design—Sheet 17



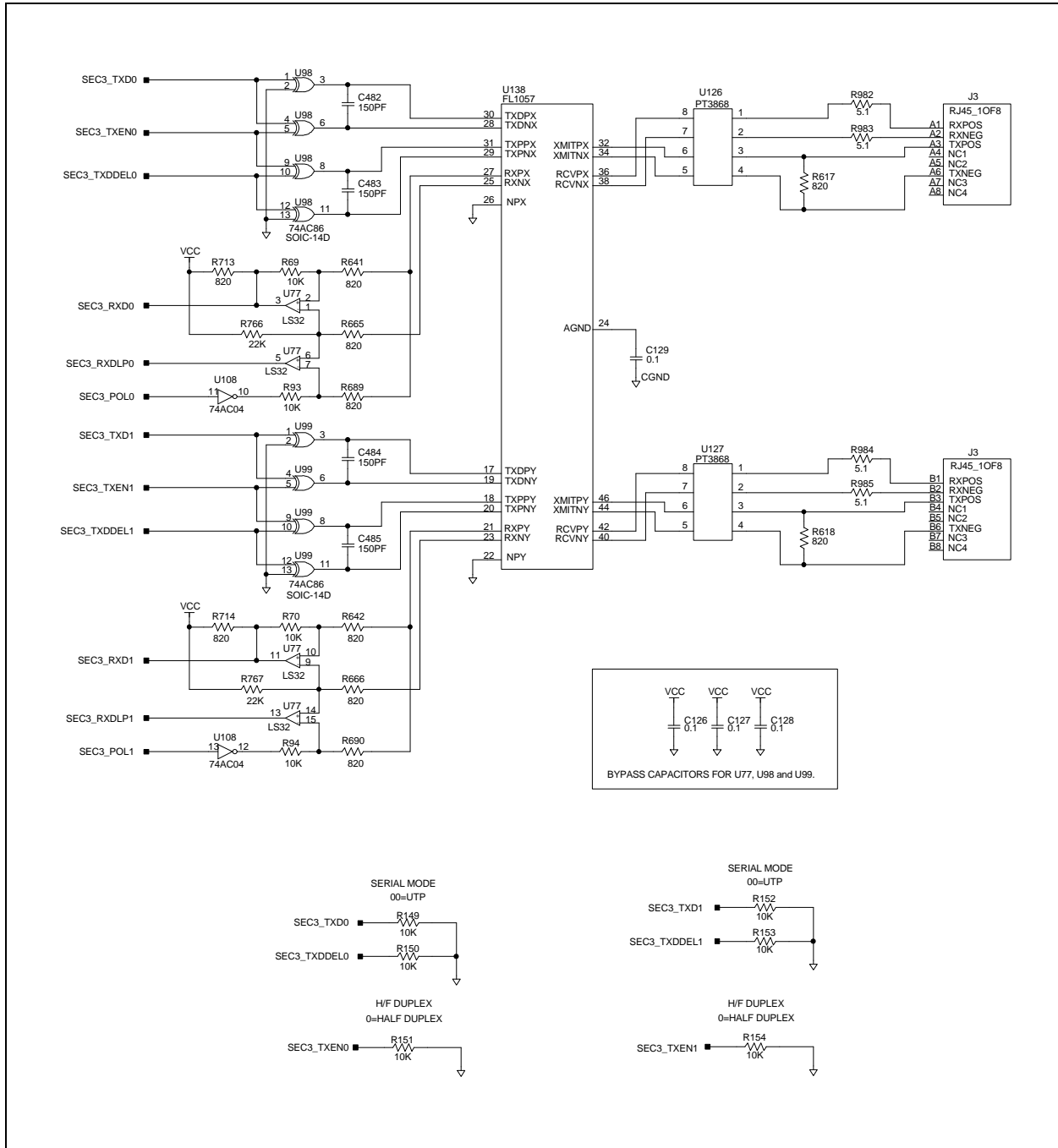
**Switched Ethernet Reference Design—Sheet 18**



**Switched Ethernet Reference Design—Sheet 19**

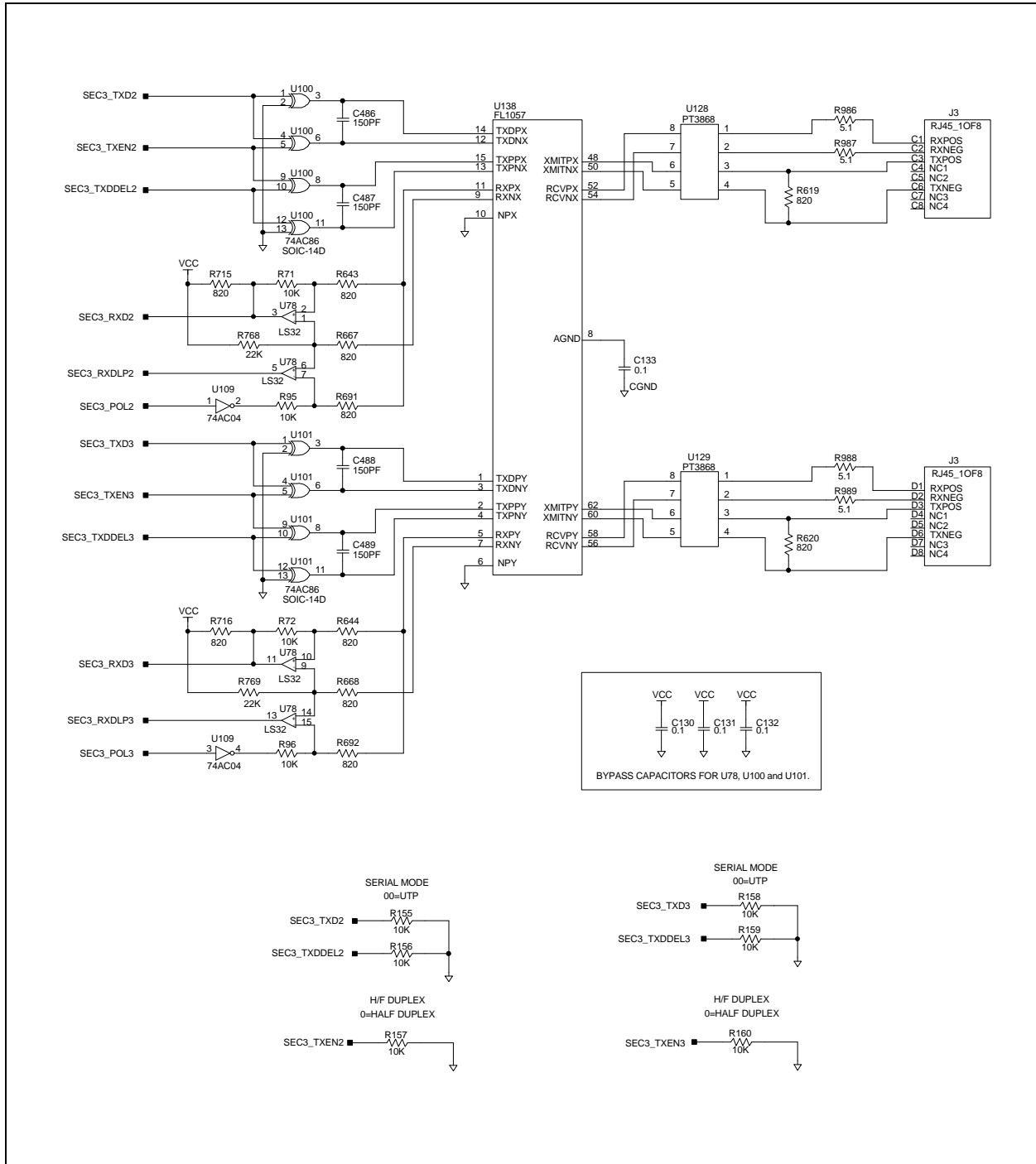


**Switched Ethernet Reference Design—Sheet 20**

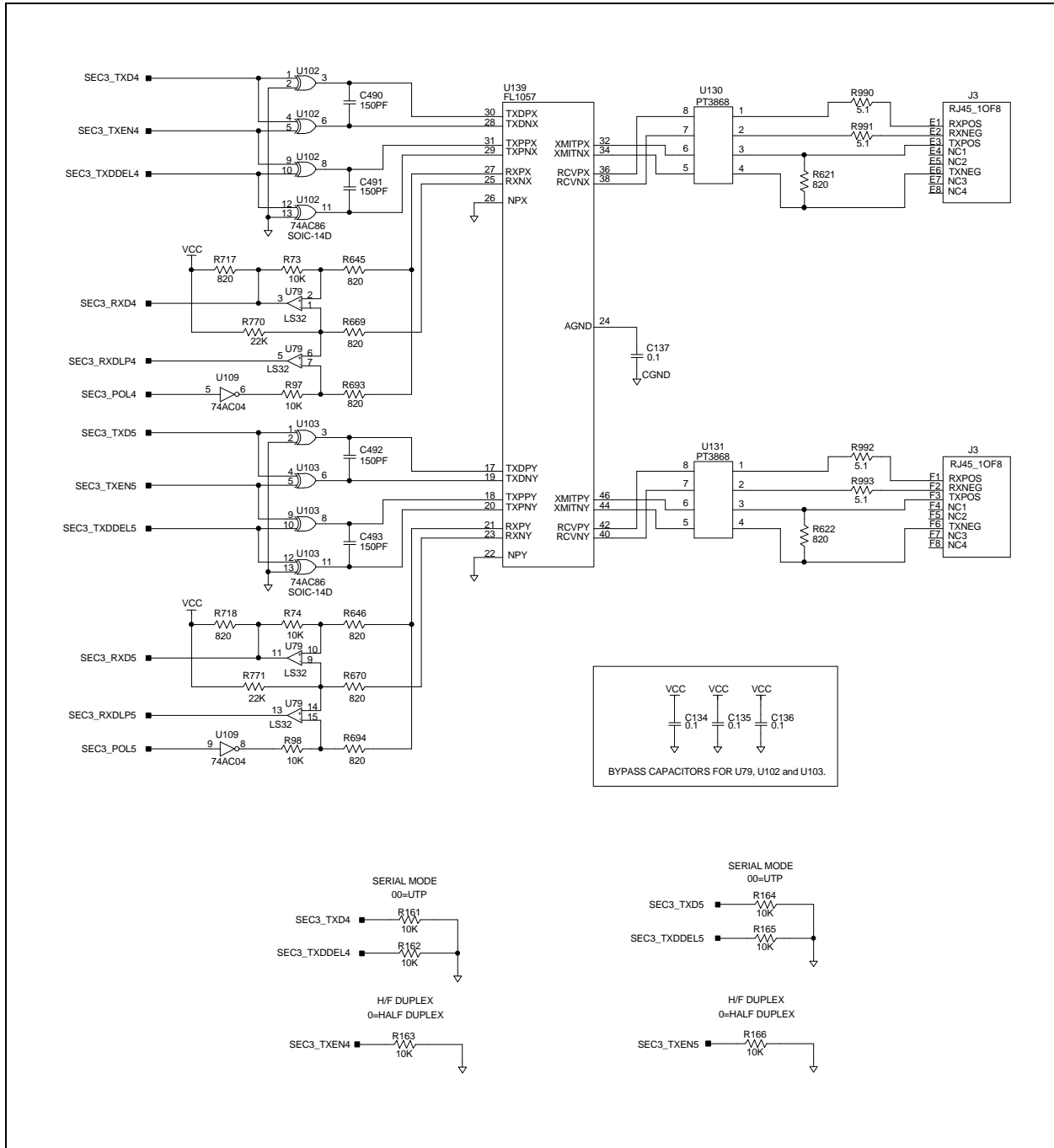


**Switched Ethernet Reference Design—Sheet 21**

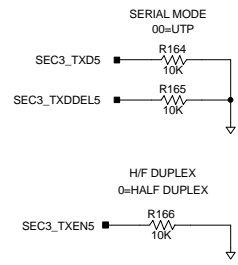
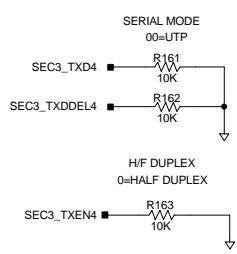


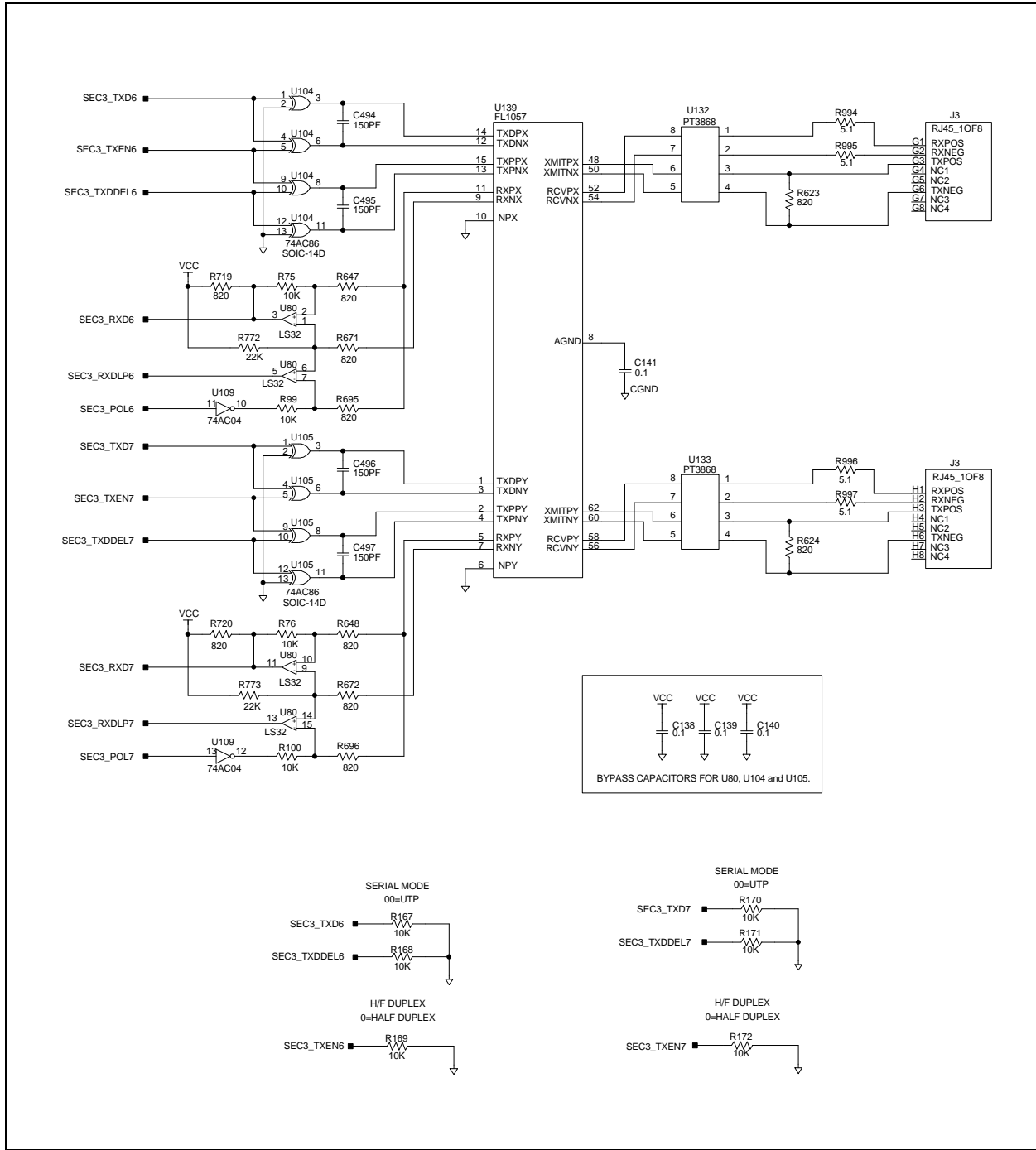


**Switched Ethernet Reference Design—Sheet 22**

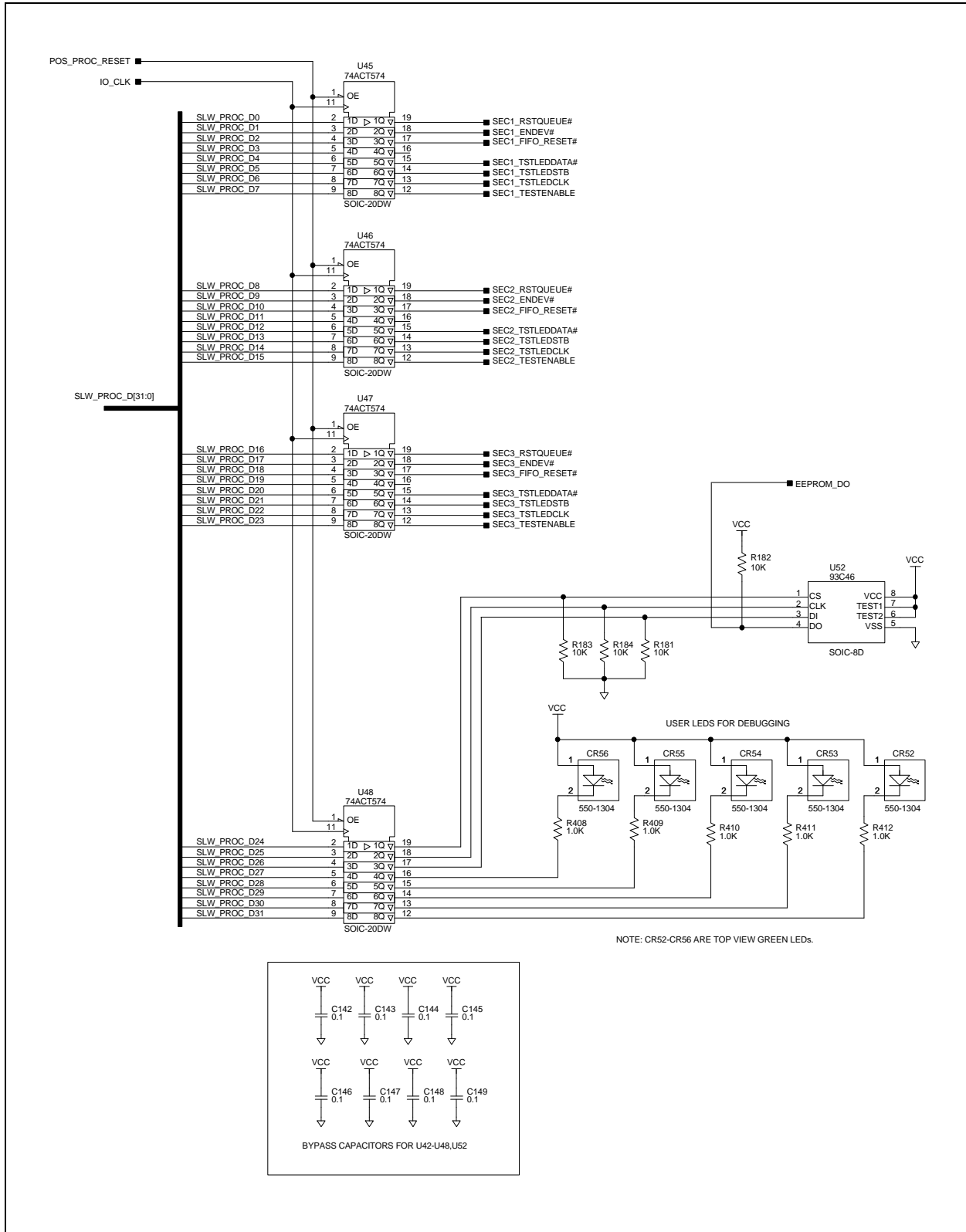


**Switched Ethernet Reference Design—Sheet 23**

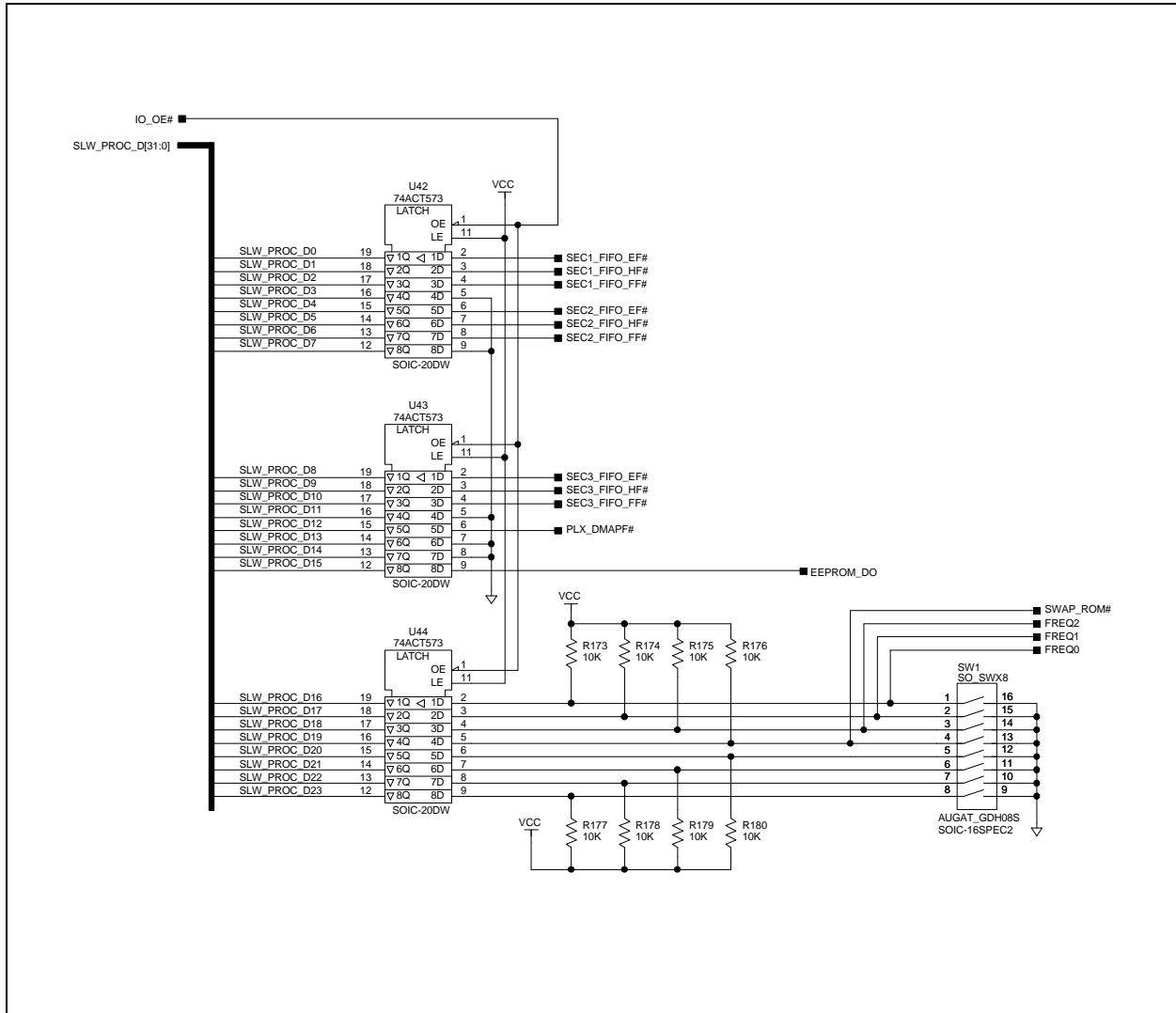




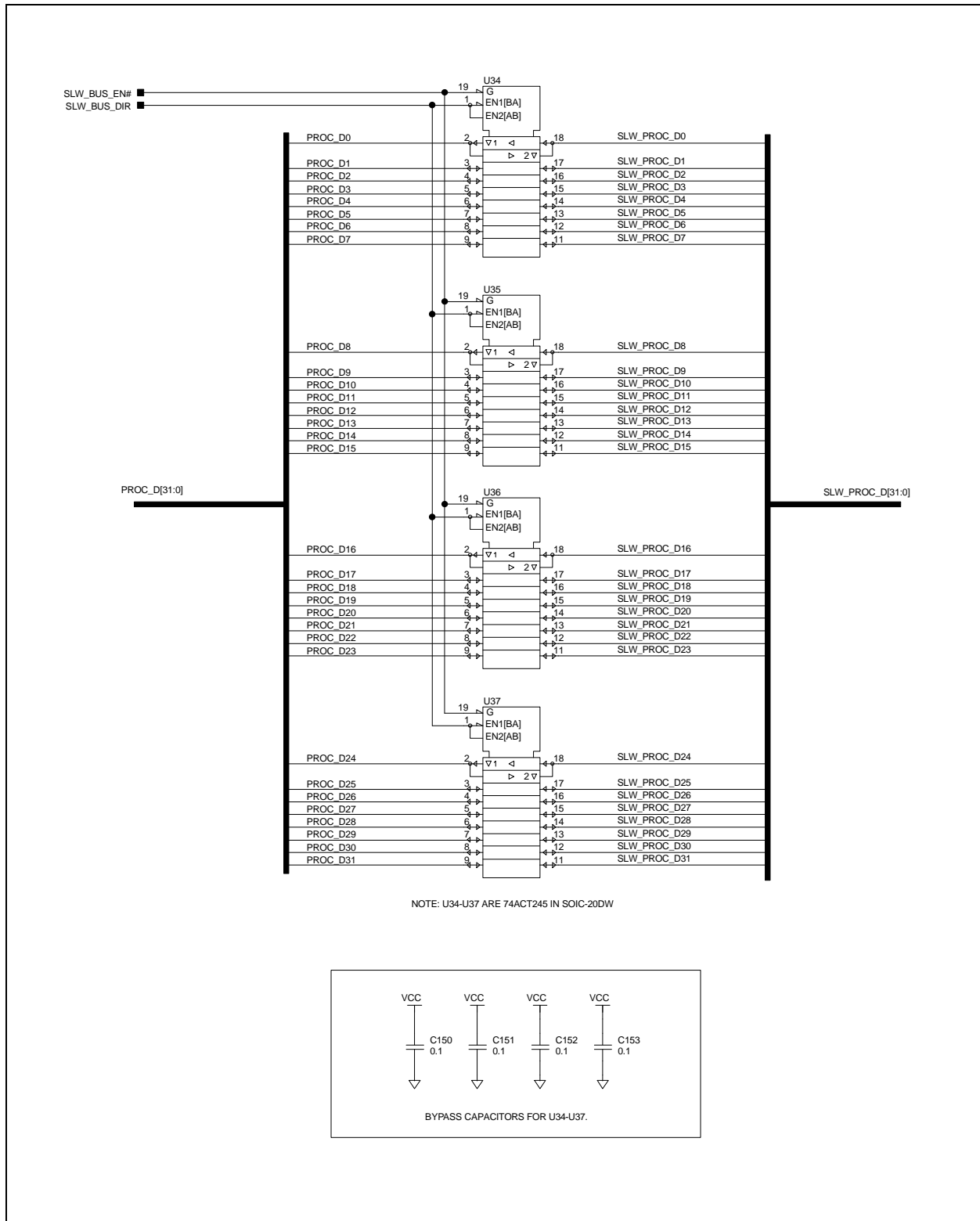
Switched Ethernet Reference Design—Sheet 24



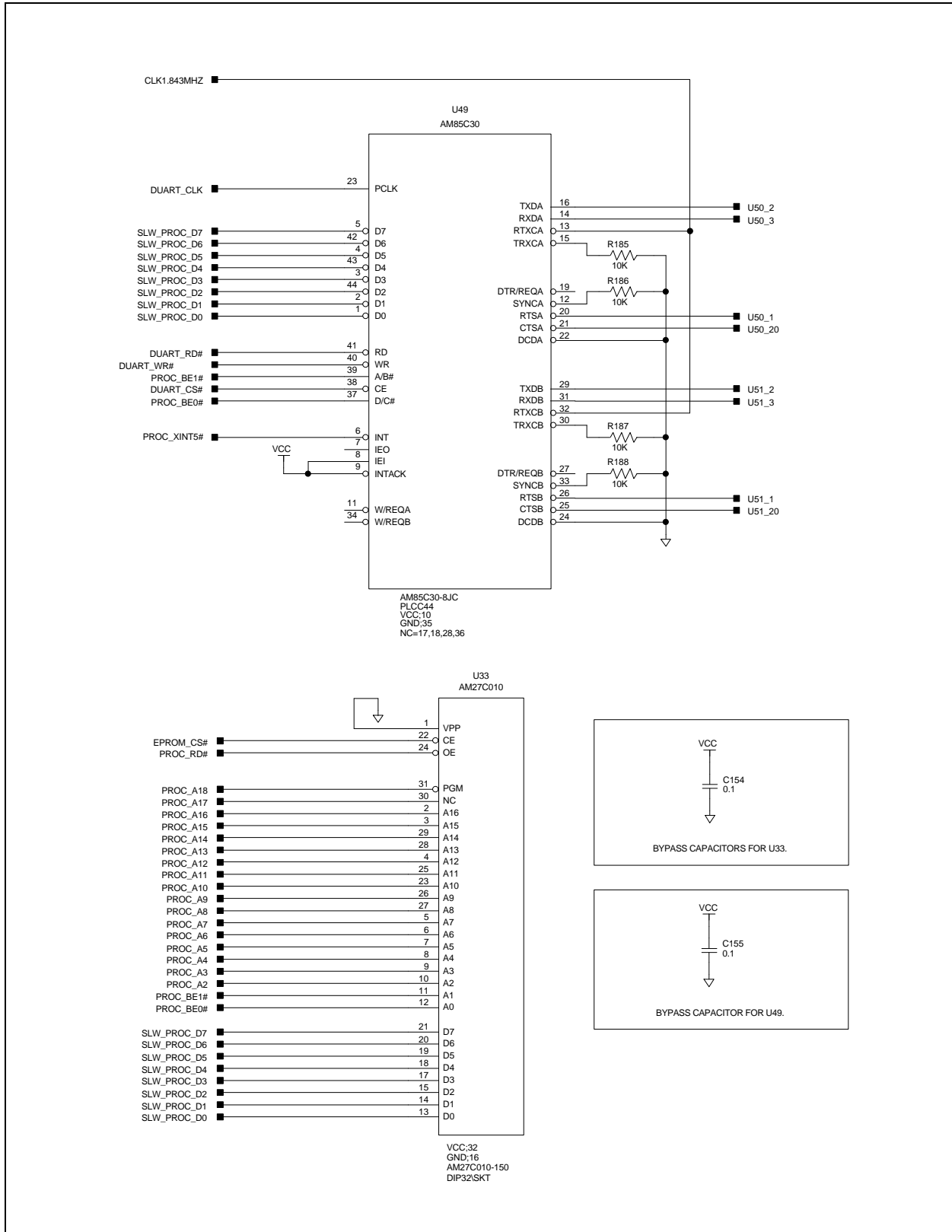
Switched Ethernet Reference Design—Sheet 25a



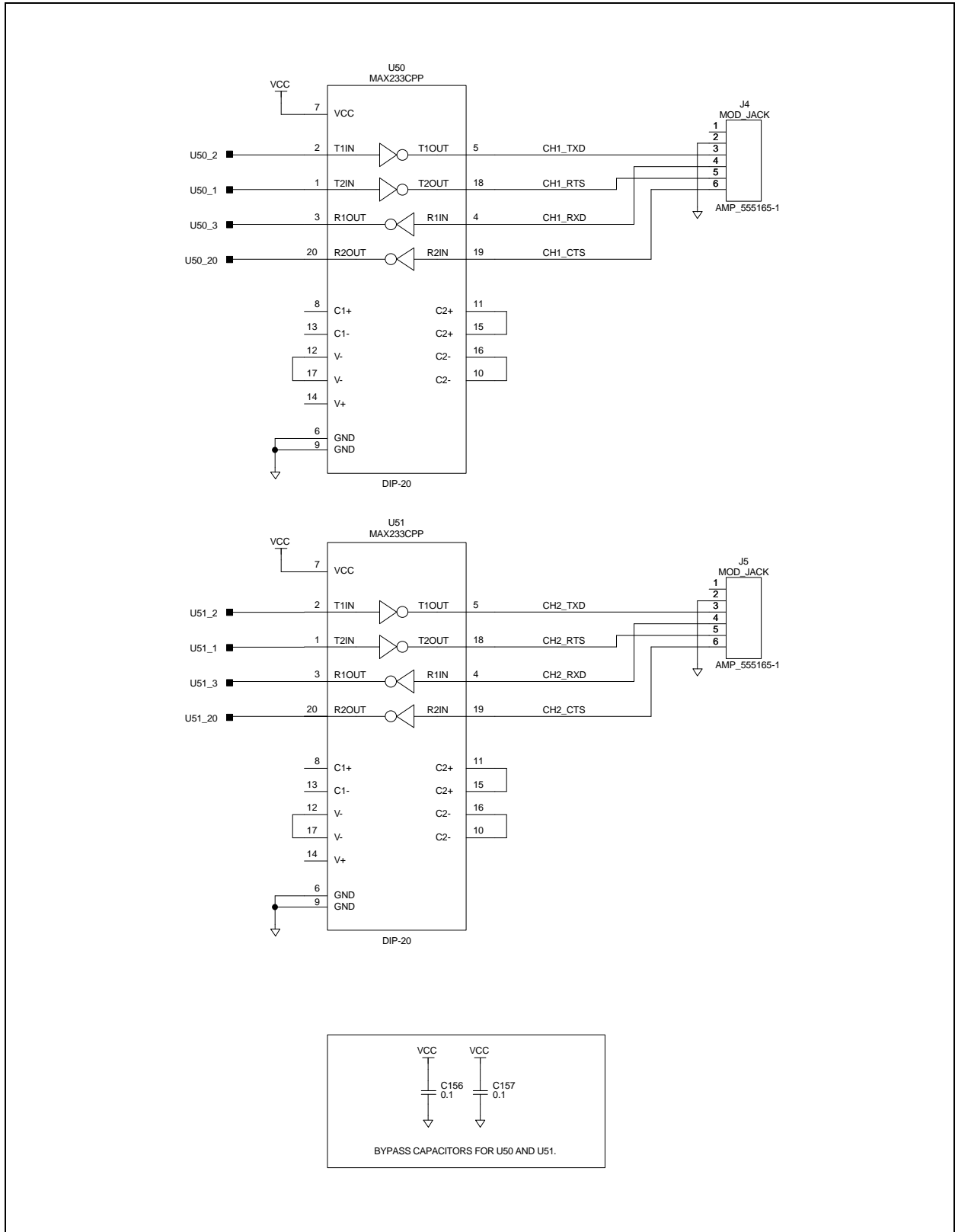
Switched Ethernet Reference Design—Sheet 25b



## Switched Ethernet Reference Design—Sheet 26

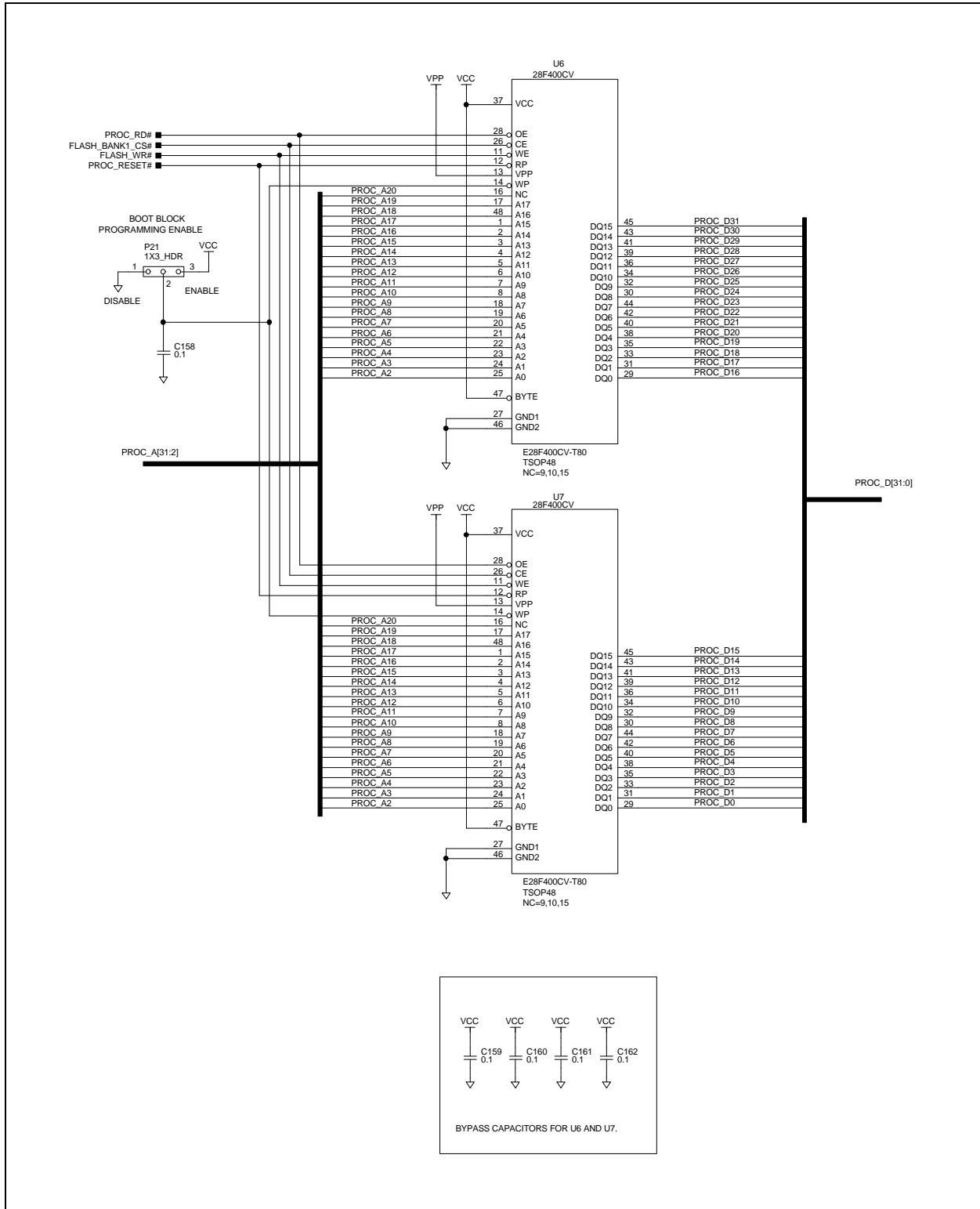


Switched Ethernet Reference Design—Sheet 27a

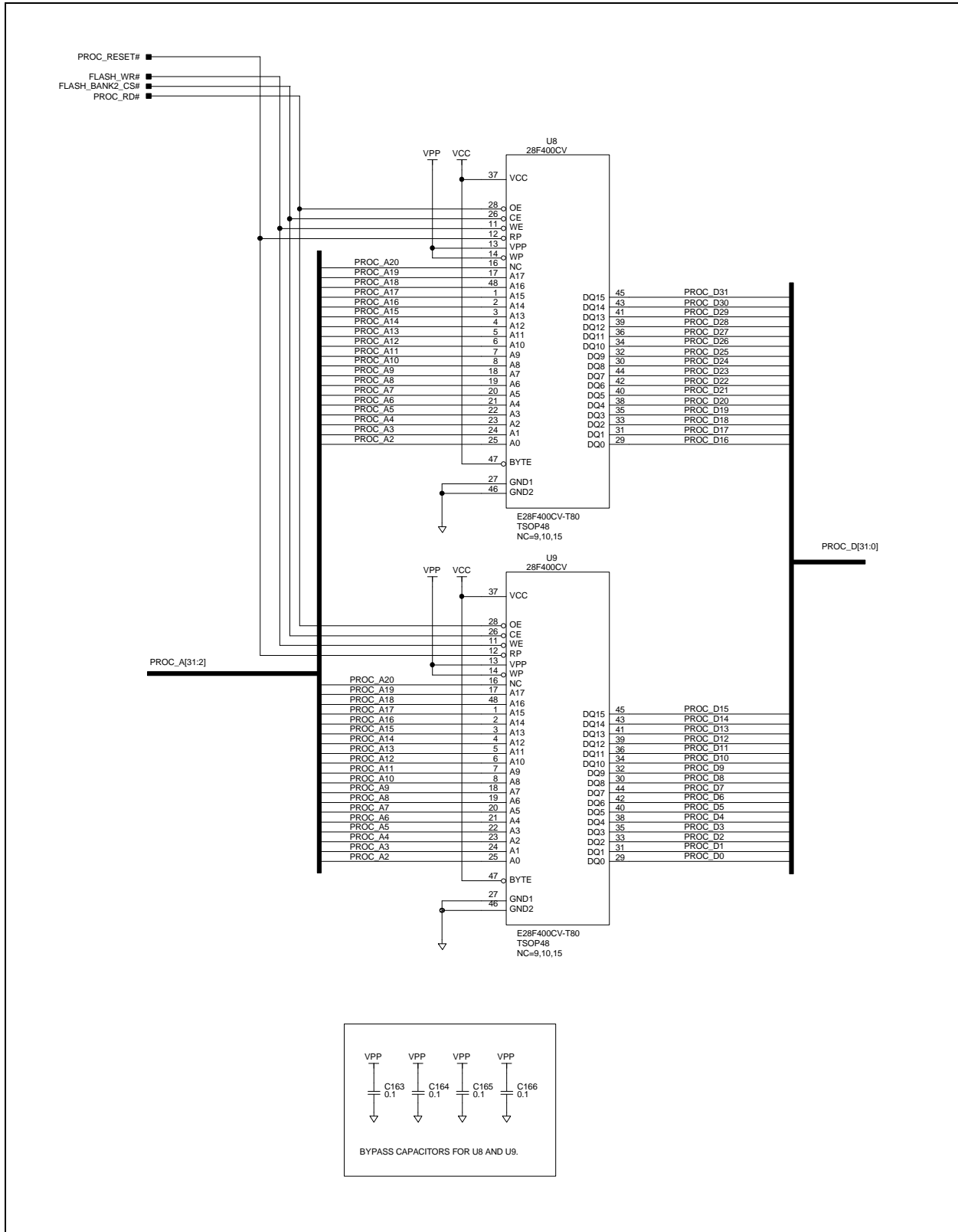


**Switched Ethernet Reference Design—Sheet 27b**

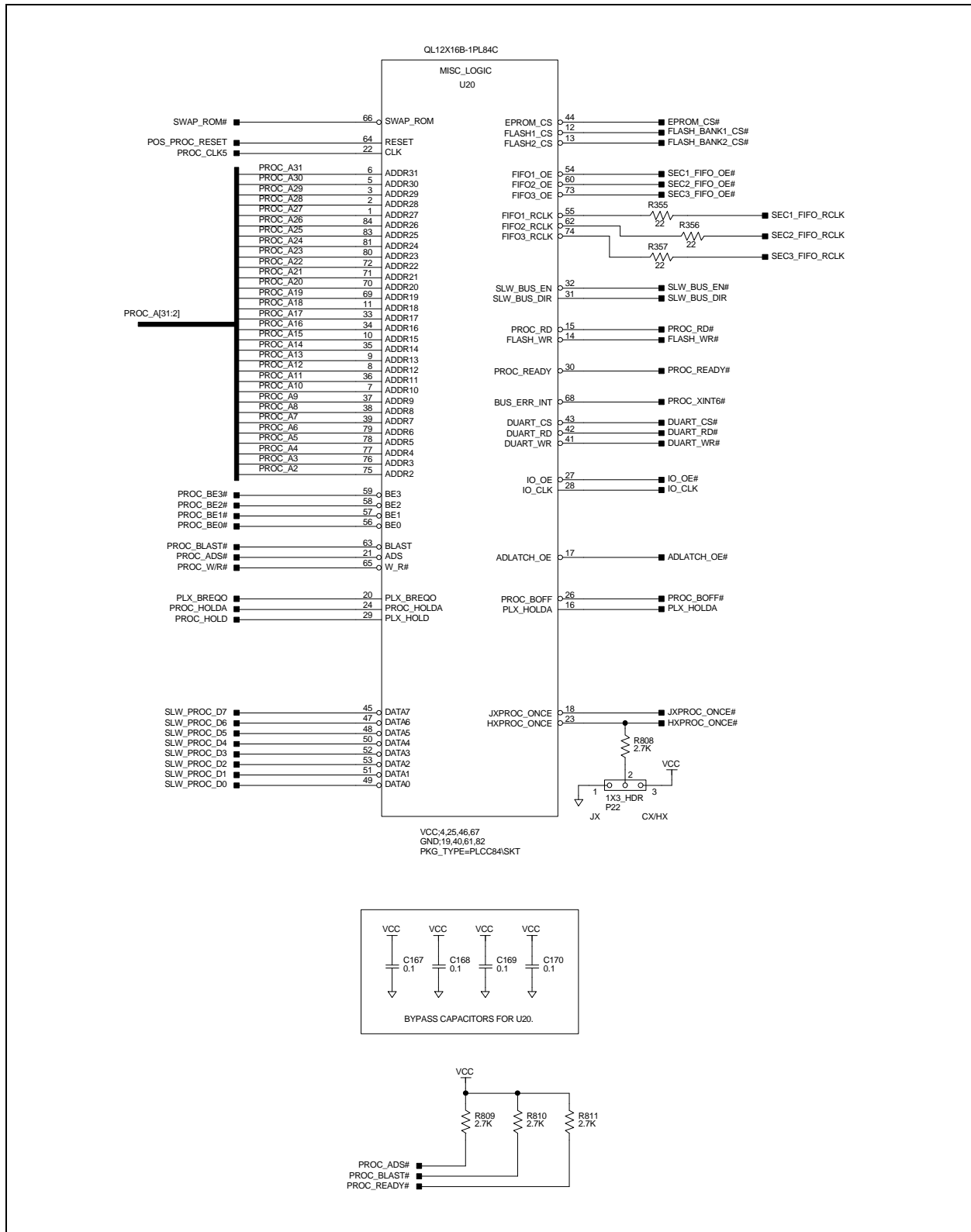




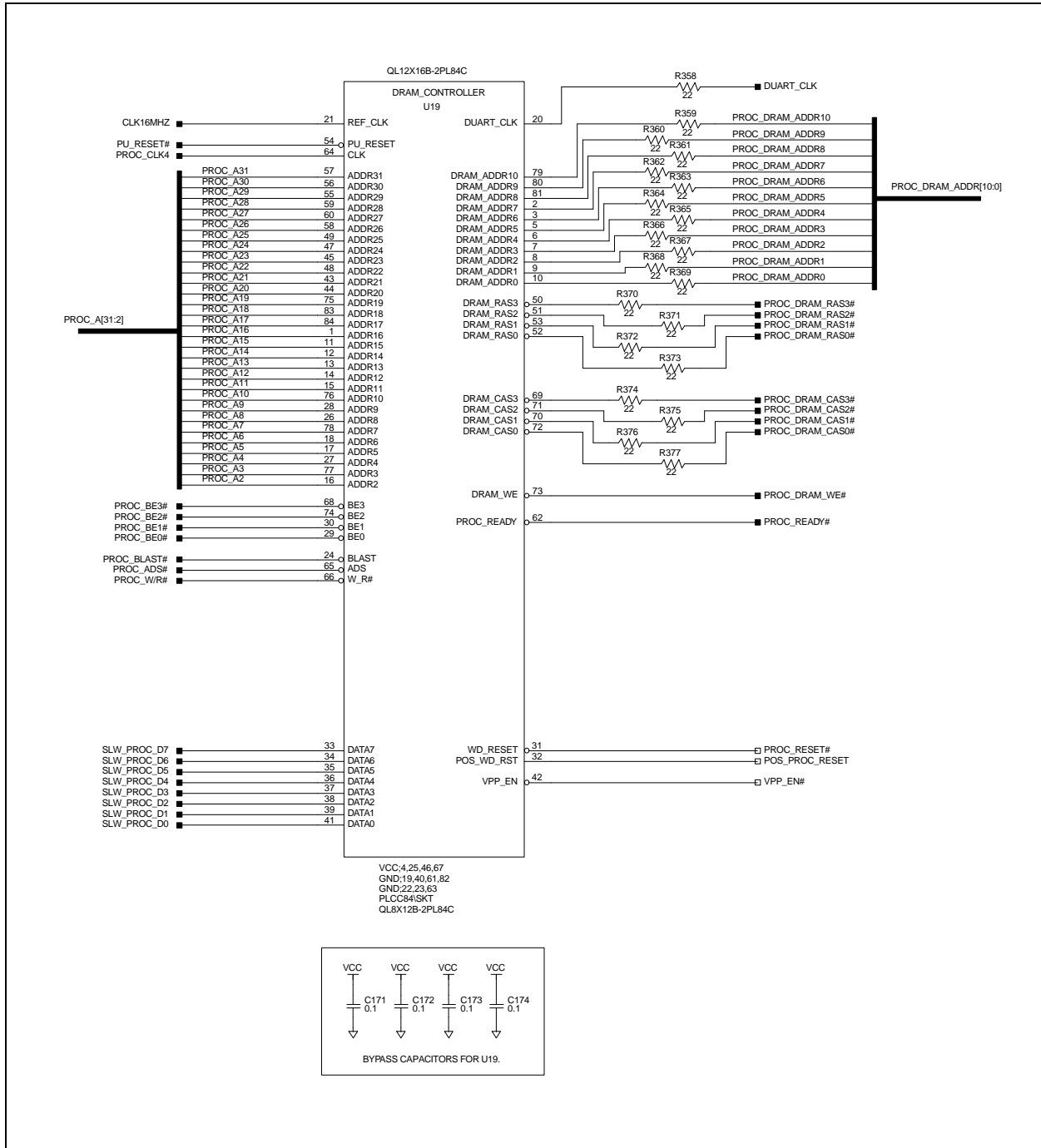
Switched Ethernet Reference Design—Sheet 28a



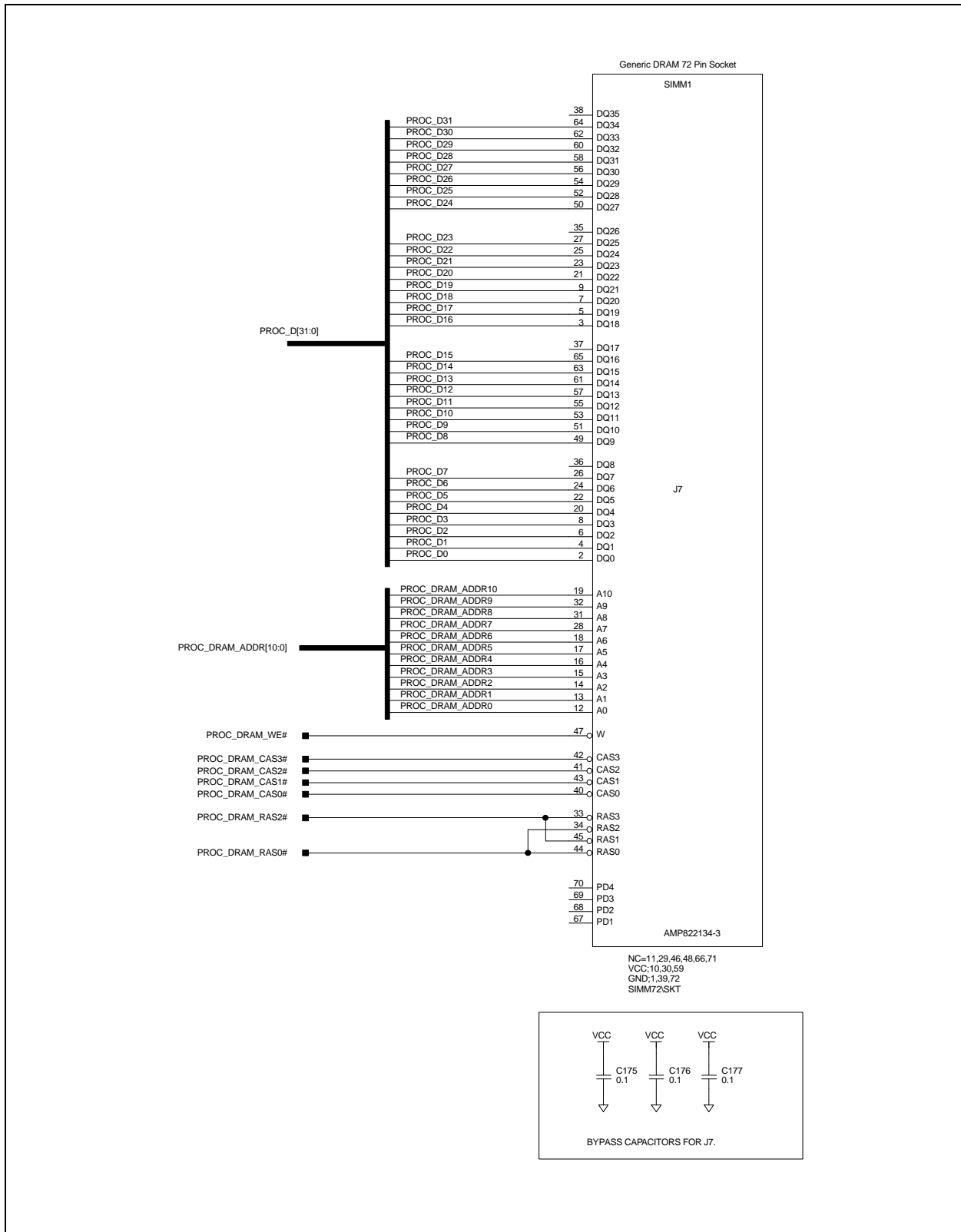
Switched Ethernet Reference Design—Sheet 28b



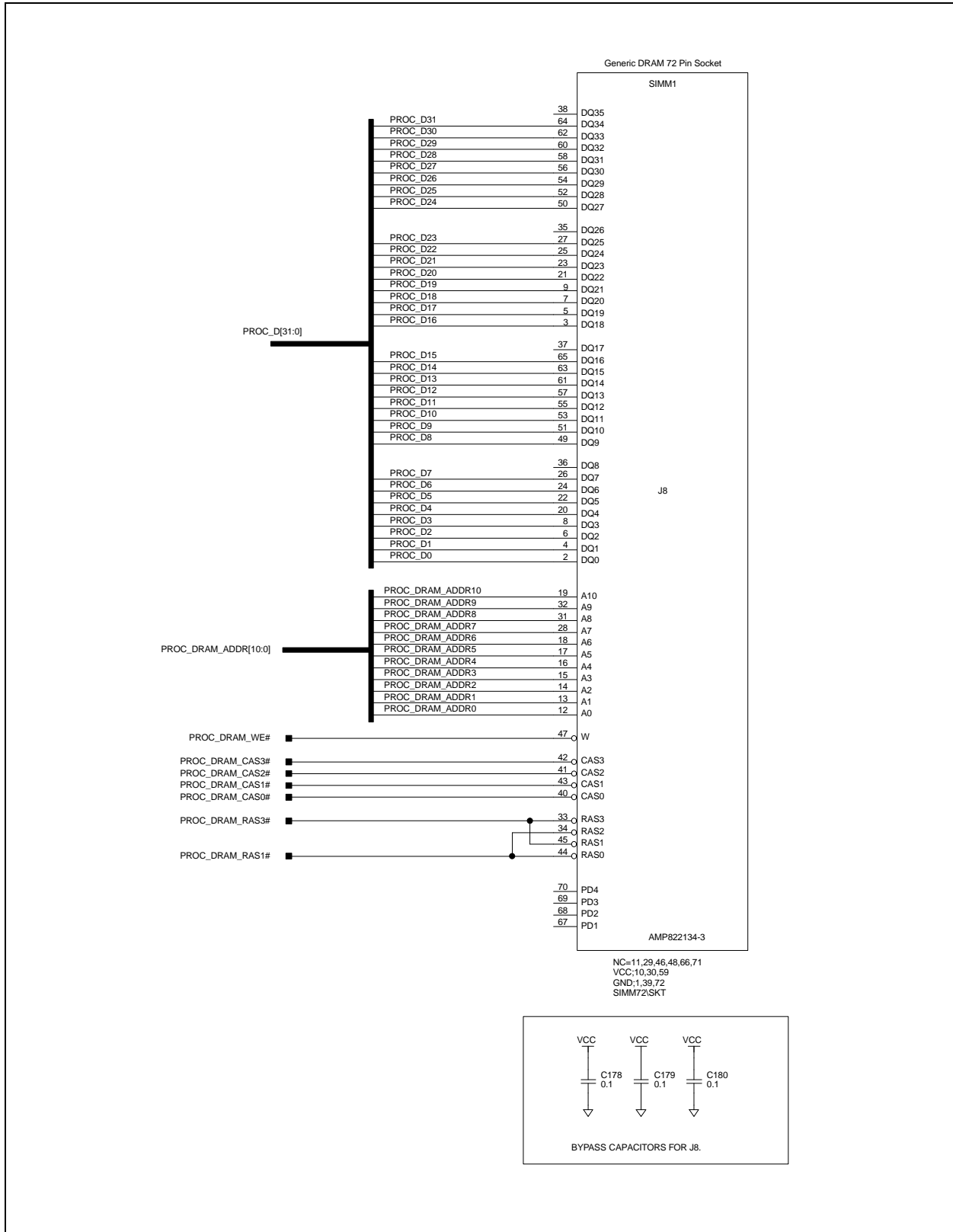
Switched Ethernet Reference Design—Sheet 29a



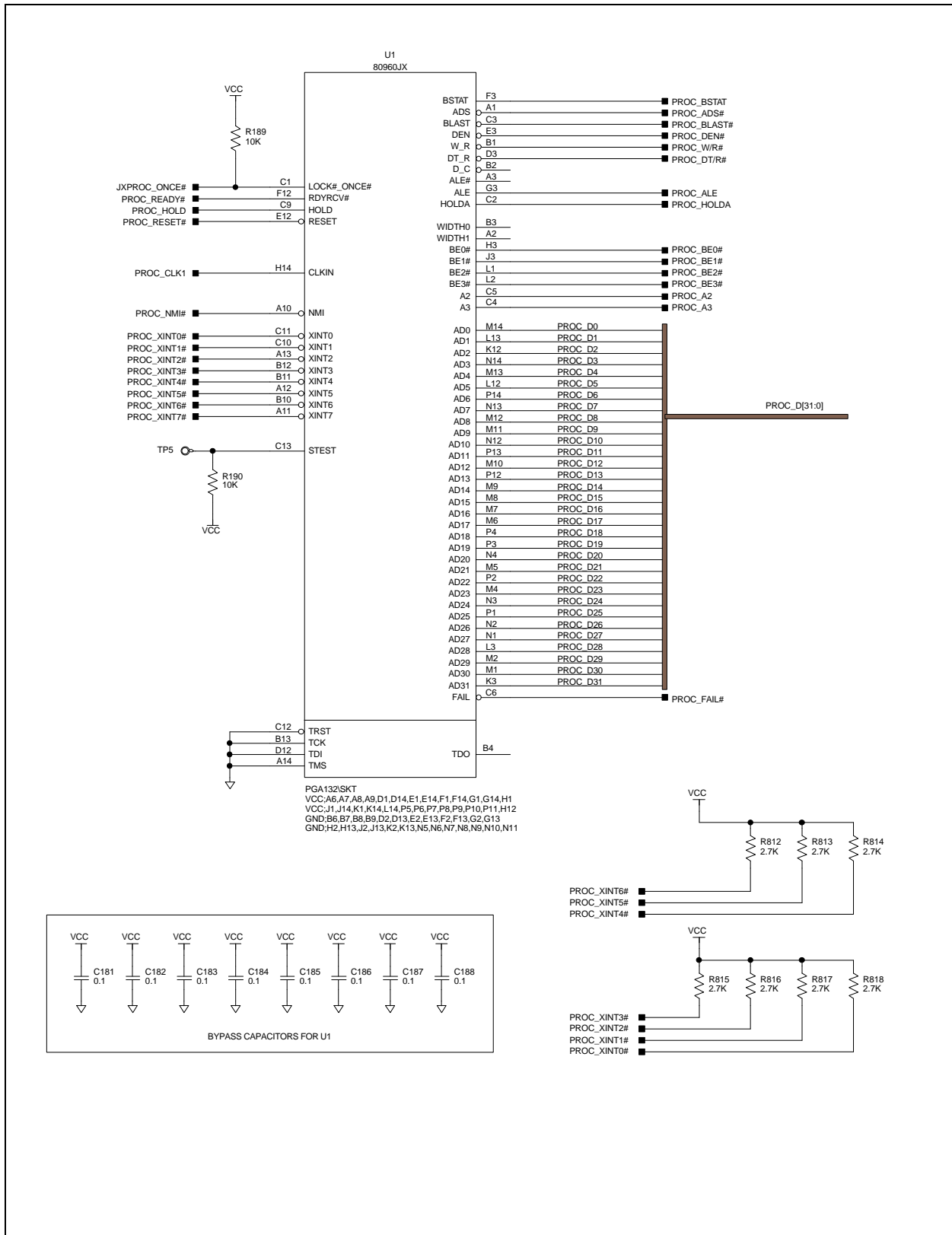
Switched Ethernet Reference Design—Sheet 29b



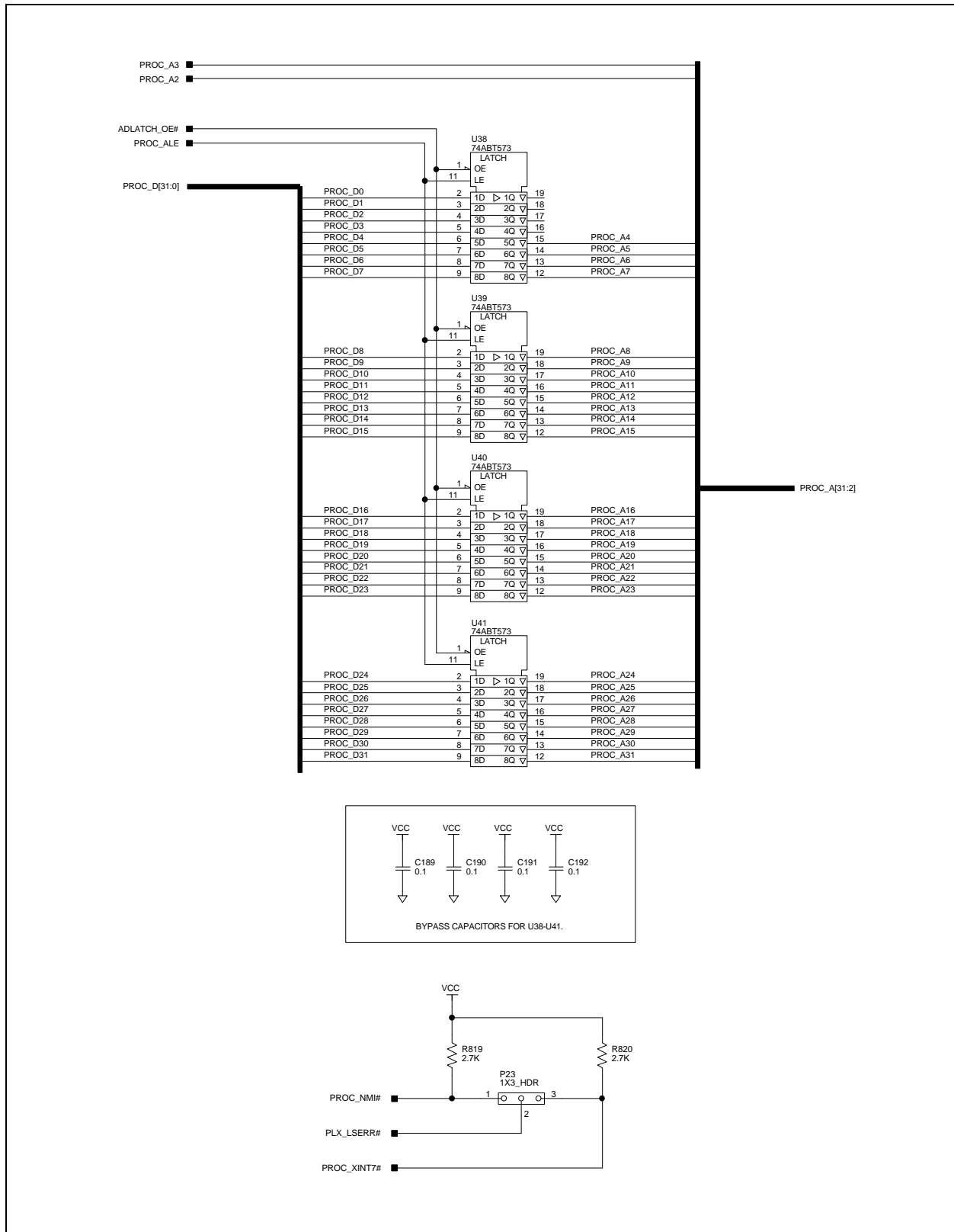
Switched Ethernet Reference Design—Sheet 30a



**Switched Ethernet Reference Design—Sheet 30b**

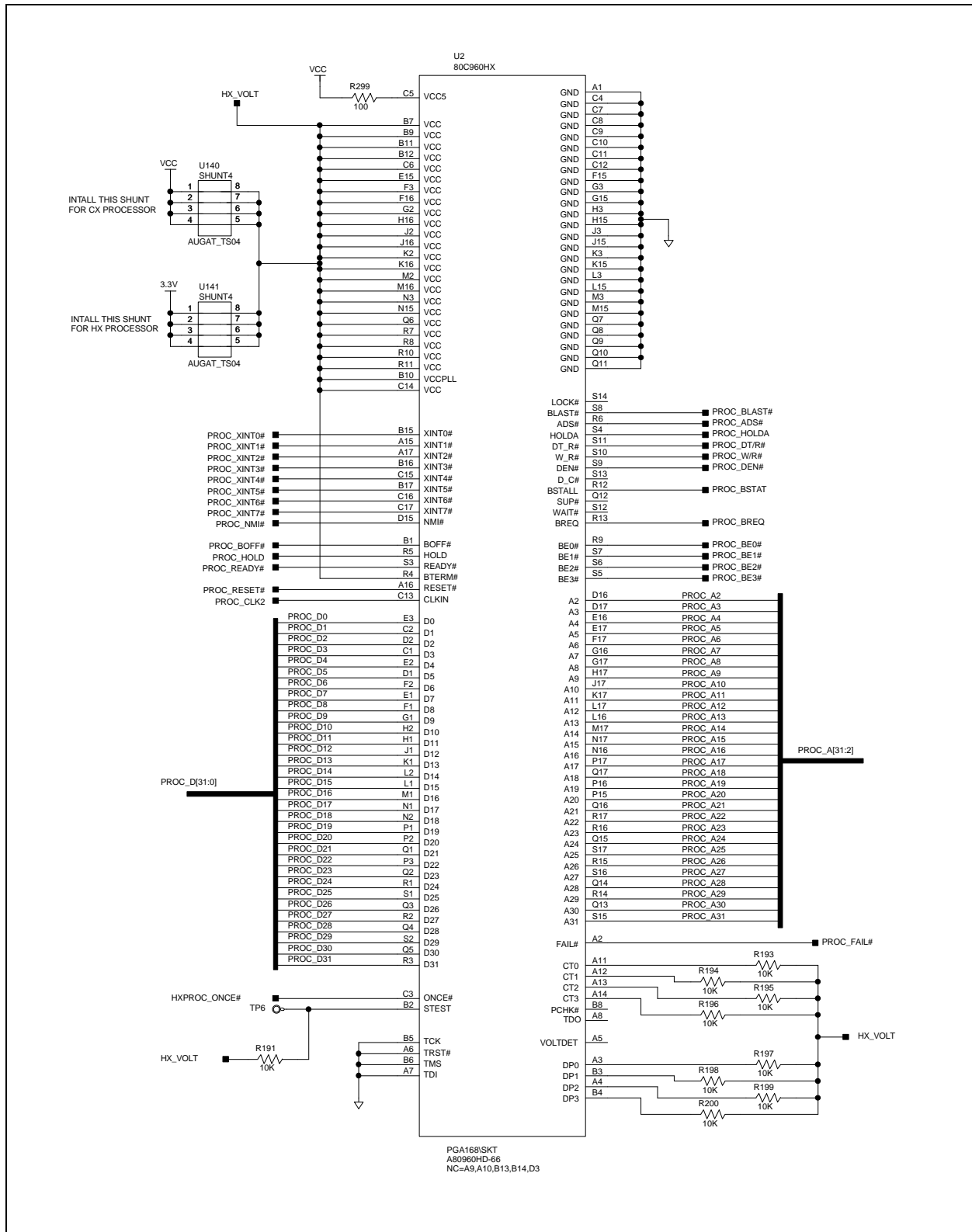


Switched Ethernet Reference Design—Sheet 31a

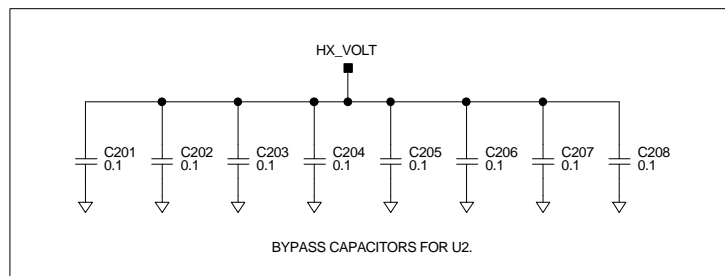
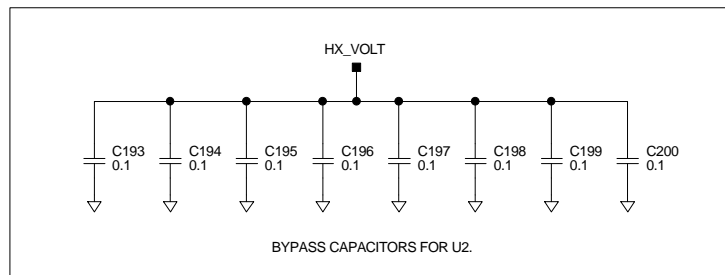
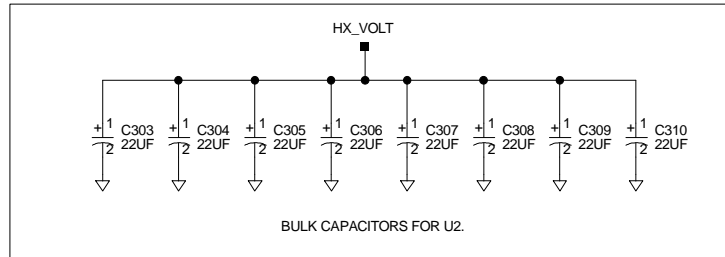
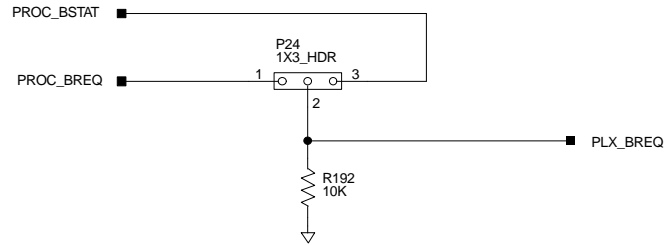


**Switched Ethernet Reference Design—Sheet 31b**



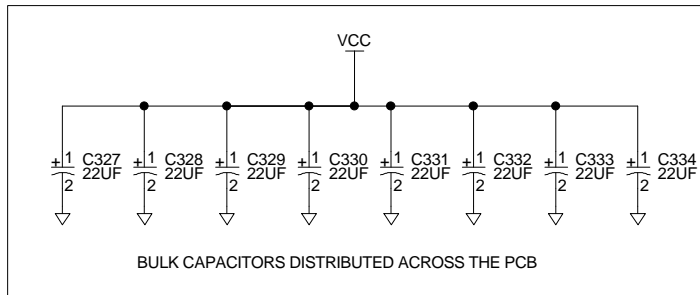
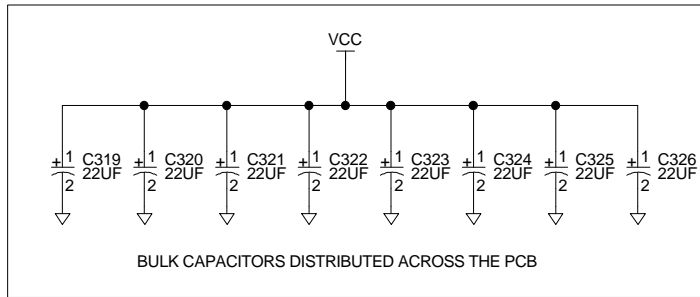
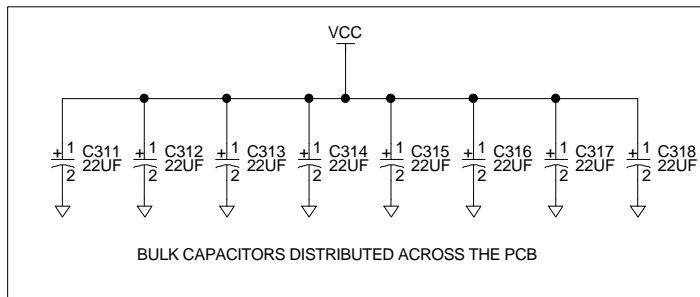
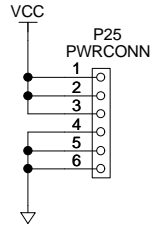


Switched Ethernet Reference Design—Sheet 32a



Switched Ethernet Reference Design—Sheet 32b





Switched Ethernet Reference Design—Sheet 33b