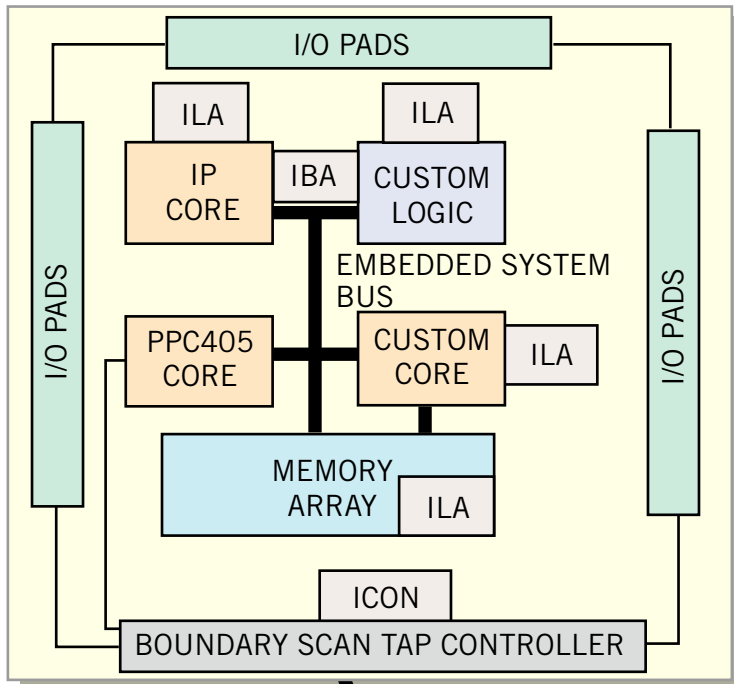


Figure 5



NOTES:
ILA: INTEGRATED LOGIC ANALYZER.
IBA: INTEGRATED BUS ANALYZER.
ICON: INTEGRATED CONTROLLER.

Some embedded-logic analyzers employ devices' built-in logic circuits and routing resources (a, courtesy Actel); others take the form of a "soft" core (b, courtesy Xilinx).